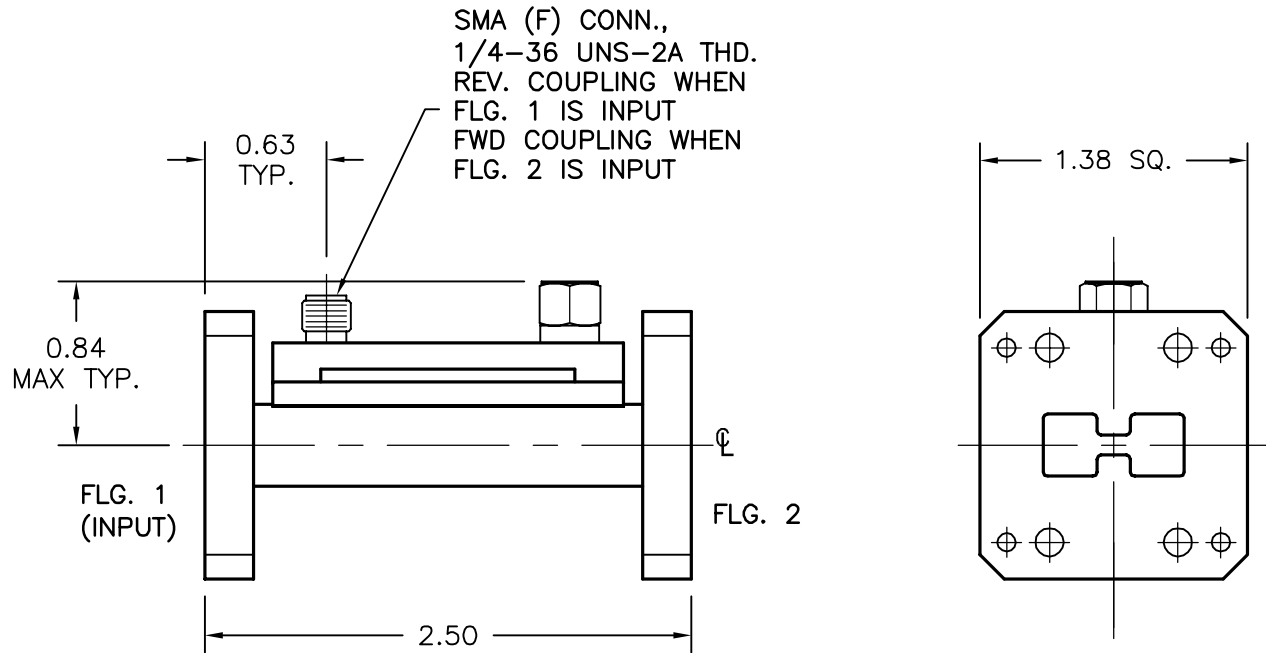


REV -	AUTH RL	DATE 04/03/01	INITIAL RELEASE
REV B	AUTH DRH	DATE 06/02/05	UPDATED DWG FORMAT
REV C	AUTH RL	DATE 07/26/06	FORMAT UPDATE, ILLUSTRATION REVISED, SPECS ADDED.



WRD FLANGE TYPES		
C1	COVER	ALT. THRU/TAPPED
C2	COVER	ALL TAPPED
C3	COVER	ALL THROUGH
G1	GROOVE	ALT. THRU/TAPPED
G2	GROOVE	ALL TAPPED
G3	GROOVE	ALL THROUGH

## MODEL SPECIFICATIONS

### MECHANICAL

MODEL NUMBER(S): 650-307-dB\*-FLANGE 1-FLANGE 2  
MATERIAL:  
BODY: 6061/T-6 ALUM.  
CONNECTORS: STAINLESS STEEL  
FINISH: UNIQUE CORROSION RESISTANT  
316 STAINLESS STEEL EPOXY COATING  
FLANGES: WRD650 PER ORDER, SEE  
'WRD FLANGE TYPES' TABLE

### ELECTRICAL

FREQ. RANGE: 6.5-18.0 GHz  
VSWR: 1.10 MAIN LINE  
1.6 MAX. COAX SECONDARY  
\*dB COUP. VALUES: 30, 40, 50, 60 STD.  
OTHERS AVAILABLE UPON REQUEST

THIRD ANGLE PROJECTION:		APPROVALS	DATE	ADVANCED TECHNICAL MATERIALS, INC. TEL: (631) 289-0363 FAX: (631) 289-0358 www.atmmicrowave.com		<small>THE INFORMATION IN THIS DRAWING IS PROPRIETARY AND SHALL NOT BE USED OR DISCLOSED WITHOUT THE PRIOR WRITTEN CONSENT OF ATM, INC. DO NOT SCALE DWG.</small>	
UNLESS OTHERWISE NOTED, DIMENSIONS ARE IN INCHES, TOLERANCES ARE: FRACTIONS: ±1/64 ANGLES: ±1/2°		DRAWN RL	07/26/06				
		BASIC DIMENSION DECIMALS 2 PLACE 3 PLACE		CHKD.	<b>OUTLINE, WRD650  LOOP COUPLER, SMA</b>		REVISION C
APRVD.	SCALE 1 : 1			ATM DWG # 4210			
UNDER 6"	±.02	±.005	MATERIAL PER ORDER	SIZE A	CAGE CODE 0R8N4	MODEL # SEE SPECS	
6" - 12"	±.03	±.010	TREATMENT -				
OVER 12"	±.06	±.015	FINISH SEE SPECS				