

DOMESTIC POWER SOURCES

Domestic Desk-Top



Domestic Wall Plug-In



Output power plug compatible for use with Switchcraft 722A or PC-722A

Input for All Domestic Models is 120 Volts A.C., 60 Hz.

SEC.	STANCOR PART NUMBER	Rated Output			Regulated/Unregulated	Case Style	DIMENSIONS						Weight (lbs.)	Output Plug 2.1x5.5mm Inside Polarity	Agency * Certification
		Volts	AC/DC	mA			Length (inches)	Length (mm)	Width (inches)	Width (mm)	Height (inches)	Height (mm)			
A	STA-4125T	2.5	DC	500	Unregulated	Wall Plug-in	2.5	63.0	2.0	51.0	1.6	41.0	0.47	Negative	UL/CSA
	STA-4130	3.0	DC	350	Regulated	Wall Plug-in	2.5	63.0	2.0	51.0	1.6	41.0	0.48	Negative	UL
	STA-3530	3.0	DC	500	Unregulated	Wall Plug-in	2.2	55.0	1.8	44.6	1.5	37.2	0.37	Negative	UL/CSA
	STA-3540	4.4	DC	400	Unregulated	Wall Plug-in	2.2	55.0	1.8	44.6	1.5	37.2	0.35	Negative	UL/CSA
B	STA-3545B	4.5	AC	300	Unregulated	Wall Plug-in	2.2	55.0	1.8	44.6	1.5	37.2	0.34	★	UL/CSA
	STA-4850	5.0	DC	600	Regulated	Wall Plug-in	3.5	89.0	2.4	61.0	1.9	47.0	0.90	Negative	UL/CSA
	STA-3560B	6.0	DC	100	Unregulated	Wall Plug-in	2.2	55.0	1.8	44.6	1.5	37.2	0.35	Negative	UL/CSA
	STA-3560	6.0	DC	200	Unregulated	Wall Plug-in	2.2	55.0	1.8	44.6	1.5	37.2	0.35	Negative	UL/CSA
C	STA-3560A	6.0	DC	300	Unregulated	Wall Plug-in	2.2	55.0	1.8	44.6	1.5	37.2	0.35	Negative	UL/CSA
	STA-4160	6.0	DC	600	Unregulated	Wall Plug-in	2.5	63.0	2.0	51.0	1.6	41.0	0.47	Negative	UL/CSA
	STA-4160A	6.0	DC	800	Unregulated	Wall Plug-in	2.5	63.0	2.0	51.0	1.6	41.0	0.56	Negative	UL/CSA
	STA-4860	6.0	DC	1000	Unregulated	Wall Plug-in	2.8	70.5	2.3	57.0	1.8	44.6	0.84	Negative	UL/CSA
D	STA-4860-4	6.0	DC	1000	Unregulated	Wall Plug-in	2.8	70.5	2.3	57.0	1.8	44.6	0.84	Positive	UL/CSA
	STA-4860A	6.0	DC	1200	Unregulated	Wall Plug-in	2.8	70.5	2.3	57.0	1.8	44.6	0.90	Negative	UL/CSA
	STA-5760	6.0	DC	2000	Unregulated	Wall Plug-in	3.4	86.1	2.6	66.5	2.2	55.0	1.50	Negative	UL/CSA
	STA-5760A	6.0	AC	3300	Unregulated	Desk-Top	3.4	86.1	2.6	66.5	2.2	55.0	1.67	★	UL
E	STA-3575A	7.5	DC	300	Unregulated	Wall Plug-in	2.2	55.0	1.8	44.6	1.5	37.2	0.36	Negative	UL/CSA
	STA-4875	7.5	DC	1000	Unregulated	Wall Plug-in	2.8	70.5	2.3	57.0	1.8	44.6	0.84	Negative	UL/CSA
	STA-4875-4	7.5	DC	1000	Unregulated	Wall Plug-in	2.8	70.5	2.3	57.0	1.8	44.6	0.84	Positive	UL/CSA
	STA-4175A	7.5	DC	500	Unregulated	Wall Plug-in	2.5	63.0	2.0	51.0	1.6	41.0	0.50	Negative	UL/CSA
F	STA-3590	9.0	DC	200	Unregulated	Wall Plug-in	2.2	55.0	1.8	44.6	1.5	37.2	0.35	Negative	UL/CSA
	STA-4190C	9.0	DC	200	Regulated	Wall Plug-in	2.5	63.0	2.0	51.0	1.6	41.0	0.48	Negative	UL
	STA-3590A	9.0	DC	300	Unregulated	Wall Plug-in	2.2	55.0	1.8	44.6	1.5	37.2	0.35	Negative	UL/CSA
	STA-4190B	9.0	AC	300	Unregulated	Wall Plug-in	2.5	63.0	2.0	51.0	1.6	41.0	0.47	★	UL/CSA
G	STA-4890B	9.0	DC	400	Regulated	Wall Plug-in	3.5	89.0	2.4	61.0	1.9	47.0	0.90	Negative	UL/CSA
	STA-4190A	9.0	DC	500	Unregulated	Wall Plug-in	2.5	63.0	2.0	51.0	1.6	41.0	0.56	Negative	UL/CSA
	STA-4190D	9.0	AC	500	Unregulated	Wall Plug-in	2.5	63.0	2.0	51.0	1.6	41.0	0.45	★	UL/CSA
	STA-4190F	9.0	DC	700	Unregulated	Wall Plug-in	2.5	63.0	2.0	51.0	1.6	41.0	0.62	Negative	UL/CSA
H	STA-4890	9.0	DC	1000	Unregulated	Wall Plug-in	2.8	70.5	2.3	57.0	1.8	44.6	1.00	Negative	UL/CSA
	STA-4890A	9.0	DC	1200	Unregulated	Wall Plug-in	2.8	70.5	2.3	57.0	1.8	44.6	1.03	Negative	UL/CSA
	STA-4890A-4	9.0	DC	1200	Unregulated	Wall Plug-in	2.8	70.5	2.3	57.0	1.8	44.6	1.03	Positive	UL/CSA
	STA-5790	9.0	AC	3400	Unregulated	Desk-Top	3.4	86.1	2.6	66.5	2.2	55.0	1.84	★	UL/CSA

★ AC output

For outline drawings refer to page 35.

* Agency Certification Note:  U.L. 1310 Listed or U.L. 1012 Listed

 CSA Certified

DOMESTIC POWER SOURCES

Domestic Desk-Top



Domestic Wall Plug-In



Output power plug compatible for use with Switchcraft 722A or PC-722A.

Input for All Domestic Models is 120 Volts A.C., 60 Hz.

SEC.	STANCOR PART NUMBER	Rated Output			Regulated/ Unregulated	Case Style	DIMENSIONS						Weight (lbs.)	Output Plug 2.1x5.5mm Inside Polarity	Agency * Certification
		Volts	AC/DC	mA			Length (inches) (mm)	Width (inches) (mm)	Height (inches) (mm)						
A	STA-4110A	10.0	DC	300	Regulated	Wall Plug-in	2.5	63.0	2.0	51.0	1.6	41.0	0.57	Negative	UL/CSA
	STA-4110	10.0	AC	700	Unregulated	Wall Plug-in	2.5	63.0	2.0	51.0	1.6	41.0	0.55	★	UL/CSA
	STA-3512	12.0	DC	50	Unregulated	Wall Plug-in	2.2	55.0	1.8	44.6	1.5	37.2	0.35	Negative	UL/CSA
	STA-3512C	12.0	DC	100	Unregulated	Wall Plug-in	2.2	55.0	1.8	44.6	1.5	37.2	0.35	Negative	UL/CSA
B	STA-300R	12.0	DC	200	Regulated	Wall Plug-in	2.5	63.0	2.0	51.0	1.6	41.0	0.50	Negative	UL/CSA
	STA-3512B	12.0	DC	200	Unregulated	Wall Plug-in	2.2	55.0	1.8	44.6	1.5	37.2	0.35	Negative	UL/CSA
	STA-4112B	12.0	DC	300	Unregulated	Wall Plug-in	2.5	63.0	2.0	51.0	1.6	41.0	0.50	Negative	UL/CSA
	STA-4112	12.0	DC	400	Unregulated	Wall Plug-in	2.5	63.0	2.0	51.0	1.6	41.0	0.49	Negative	UL/CSA
C	STA-4112A	12.0	AC	500	Unregulated	Wall Plug-in	2.5	63.0	2.0	51.0	1.6	41.0	0.49	★	UL/CSA
	STA-4112C	12.0	DC	500	Unregulated	Wall Plug-in	2.5	63.0	2.0	51.0	1.6	41.0	0.62	Negative	UL/CSA
	STA-4812D	12.0	DC	600	Unregulated	Wall Plug-in	2.8	70.5	2.3	57.0	1.8	44.6	0.84	Negative	UL/CSA
	STA-4812B	12.0	AC	850	Unregulated	Wall Plug-in	2.8	70.5	2.3	57.0	1.8	44.6	0.83	★	UL
D	STA-4812A-4	12.0	DC	1000	Unregulated	Wall Plug-in	2.8	70.5	2.3	57.0	1.8	44.6	1.00	Positive	UL/CSA
	STA-5712	12.0	DC	1200	Unregulated	Wall Plug-in	3.4	86.1	2.6	66.5	2.2	55.0	1.46	Negative	UL/CSA
	STA-5712-4	12.0	DC	1200	Unregulated	Wall Plug-in	3.4	86.1	2.6	66.5	2.2	55.0	1.46	Positive	UL/CSA
E	STA-6612	12.0	DC	2000	Unregulated	Desk-Top	4.8	121.1	3.1	80.0	2.5	64.5	2.46	Negative	UL/CSA
	STA-6612B	12.0	DC	3000	Unregulated	Desk-Top	4.8	121.1	3.1	80.0	2.5	64.5	2.80	Negative	UL/CSA
	STA-5713	13.5	DC	1300	Unregulated	Wall Plug-in	3.4	86.1	2.6	66.5	2.2	55.0	1.43	Negative	UL/CSA
	STA-5713A	13.5	DC	1700	Unregulated	Wall Plug-in	3.4	86.1	2.6	66.5	2.2	55.0	1.66	Negative	UL/CSA
F	STA-5713AC	13.5	DC	1700	Unregulated	Desk-Top	3.4	86.1	2.6	66.5	2.2	55.0	1.85	Negative	UL/CSA
	STA-4814	14.5	DC	800	Unregulated	Wall Plug-in	2.8	70.5	2.3	57.0	1.8	44.6	0.85	Negative	UL/CSA
	STA-4815	15.0	DC	600	Unregulated	Wall Plug-in	2.8	70.5	2.3	57.0	1.8	44.6	0.85	Negative	UL/CSA
	STA-5715	15.0	DC	1000	Unregulated	Wall Plug-in	3.4	86.1	2.6	66.5	2.2	55.0	1.50	Negative	UL/CSA
G	STA-5715-4	15.0	DC	1000	Unregulated	Wall Plug-in	3.4	86.1	2.6	66.5	2.2	55.0	1.50	Positive	UL/CSA
	STA-6615	15.0	DC	2000	Unregulated	Desk-Top	4.8	121.1	3.1	80.0	2.5	64.5	2.75	Negative	UL/CSA
	STA-4116	16.0	AC	250	Unregulated	Wall Plug-in	2.5	63.0	2.0	51.0	1.6	41.0	0.49	★	UL/CSA
	STA-4118	18.0	AC	300	Unregulated	Wall Plug-in	2.5	63.0	2.0	51.0	1.6	41.0	0.48	★	UL
H	STA-6618	18.0	DC	2000	Unregulated	Desk-Top	4.8	121.1	3.1	80.0	2.5	64.5	2.74	Negative	UL/CSA
	STA-6618-4	18.0	DC	2000	Unregulated	Desk-Top	4.8	121.1	3.1	80.0	2.5	64.5	2.74	Positive	UL/CSA
	STA-3518	18.5	DC	80	Unregulated	Wall Plug-in	2.2	55.0	1.8	44.6	1.5	37.2	0.35	Negative	UL/CSA
	STA-4120	20.0	DC	280	Unregulated	Wall Plug-in	2.5	63.0	2.0	51.0	1.6	41.0	0.55	Negative	UL/CSA
	STA-4820	20.0	AC	700	Unregulated	Wall Plug-in	2.8	70.5	2.3	57.0	1.8	44.6	1.00	★	UL

★ AC Output

For outline drawings refer to page 35.

* Agency Certification Note:  U.L. 1310 Listed or U.L. 1012 Listed

 CSA Certified

DOMESTIC POWER SOURCES

Domestic Desk-Top



Domestic Wall Plug-In



Output power plug compatible for use with Switchcraft 722A or PC-722A.

Input for All Domestic Models is 120 Volts A.C., 60 Hz.

SEC.	STANCOR PART NUMBER	Rated Output			Regulated/Unregulated	Case Style	DIMENSIONS			Weight (lbs.)	Output Plug [®] 2.1x5.5mm Inside Polarity	Agency * Certification			
		Volts	AC/DC	mA			Length (inches) (mm)	Width (inches) (mm)	Height (inches) (mm)						
A	STA-3524	24.0	DC	50	Unregulated	Wall Plug-in	2.2	55.0	1.8	44.6	1.5	37.2	0.35	Negative	UL/CSA
	STA-4124	24.0	AC	300	Unregulated	Wall Plug-in	2.5	63.0	2.0	51.0	1.6	41.0	0.55	★	UL/CSA
	STA-4824B	24.0	AC	450	Unregulated	Wall Plug-in	2.8	70.5	2.2	56.0	1.8	44.6	0.86	★	UL/CSA
B	STA-4824AT	24.0	DC	600	Unregulated	Wall Plug-in	3.5	89.0	2.4	61.0	1.9	47.0	1.15	Negative	UL/CSA
	STA-5724AT	24.0	DC	1000	Unregulated	Wall Plug-in	3.4	86.1	2.6	66.5	2.2	55.0	1.57	Negative	UL/CSA
	STA-5724AT-4	24.0	DC	1000	Unregulated	Wall Plug-in	3.4	86.1	2.6	66.5	2.2	55.0	1.57	Positive	UL/CSA
	STA-6624	24.0	DC	1500	Unregulated	Desk-Top	4.8	121.1	3.1	80.0	2.5	64.5	2.77	Negative	UL/CSA

★ AC Output

For outline drawings refer to page 35.

* Agency Certification Note:  U.L. 1310 Listed or U.L. 1012 Listed

 CSA Certified (File LR67965)

Desk-Top Regulated Series

SEC.	STANCOR PART NUMBER	Rated Output			Regulated/Unregulated	Case Style	DIMENSIONS			Weight (lbs.)	Output Connector Diagram	Agency* Certification			
		Volts	AC/DC	mA			Length (inches) (mm)	Width (inches) (mm)	Height (inches) (mm)						
C	STAR-9001	+5	DC	1000	Regulated	Desk-top	4.8	121.1	3.1	80.0	2.5	64.5	2.20	Fig. 1	UL
	STAR-9004	+12	DC	1200	Regulated	Desk-top	4.8	121.1	3.1	80.0	2.5	64.5	2.25	Fig. 2	UL
	STAR-9007	+5	DC	1000	Regulated	Desk-top	4.8	121.1	3.1	80.0	2.5	64.5	2.47	Fig. 3	UL
		+12	DC	300	Regulated										
		-12	DC	300	Regulated										

* Agency Certification Note: U.L. 1310 Listed (File #E104603) or U.L. 1012 Listed (File #E112433)

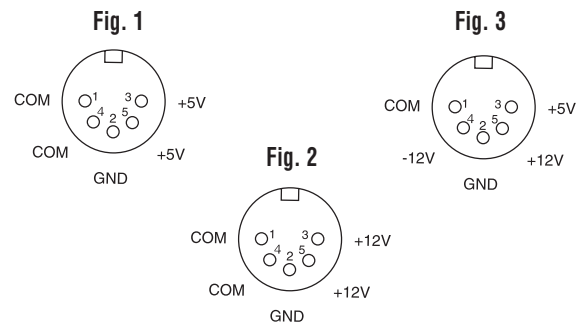
STAR Series Specifications

- *Input Voltage:* 120V ±10% 60HZ
- *Combined Regulation:* ±5%
- *Output Ripple:* 50m V MAX (Peak to Peak)
- *Operating Temperature:* -10° to +40° C
- *Dielectric Test:* 1500 VAC, RMS
- Short Circuit and Thermal Protected

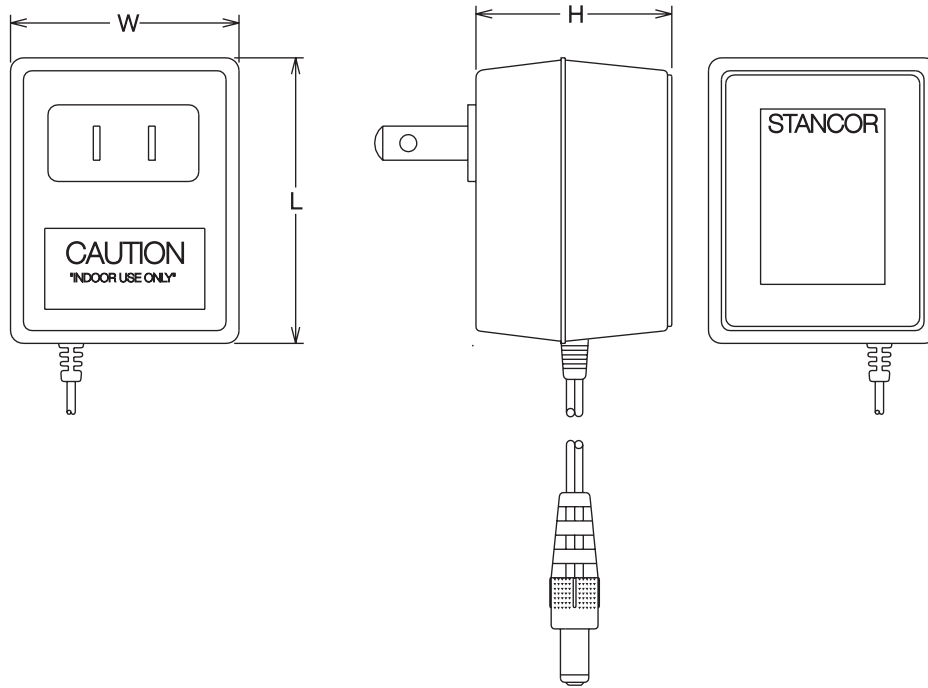
STAR Series Features

- Single and Multiple Outputs
- Input and Output Cords 6' Long
- Rated For Continuous Duty
- Grounded Input Plug (3 Prong) Nema 5-15
- Mating Receptacle Switchcraft S7GB5F, S7PC5F

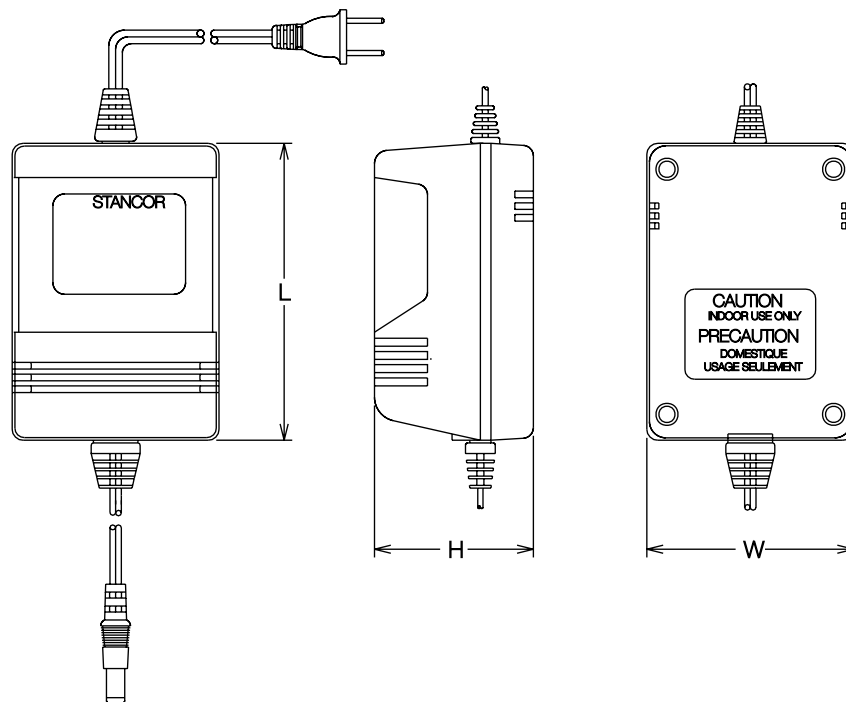
Output Connector Diagrams 5 Pin DIN



Wall Plug-In



Desk-Top



Mouser Electronics

Authorized Distributor

Click to View Pricing, Inventory, Delivery & Lifecycle Information:

Stancor:

[STA-4190C](#)

Other:

[STA-3590](#) [STAR-9004](#) [STA-3540](#) [STAR-9007](#) [STA-4120](#) [STA-5715](#) [STA-4875](#) [STA-3512](#) [STA-6615](#) [STA-3518](#)
[STA-3560A](#) [STA-4130](#) [STA-3560B](#) [STA-5724AT-4](#) [STA-6612](#) [STA-4160](#) [STA-3560](#) [STA-4190F](#) [STA-5713](#) [STA-](#)
[4118](#) [STA-4824B](#) [STA-4112A](#) [STA-4860-4](#) [STA-4814](#) [STA-4850](#) [STA-4116](#) [STA-5715-4](#) [STA-5713A](#) [STA-4112C](#)
[STA-5760](#) [STA-5712](#) [STA-4112](#) [STA-4860](#) [STA-4112B](#) [STA-4110](#) [STA-4890A](#) [STA-5713AC](#) [STA-4890](#) [STA-4815](#)
[STA-4824AT](#) [STA-4190B](#) [STA-3575A](#) [STA-4812A-4](#) [STA-4125T](#) [STA-3590A](#) [STA-6624](#) [STA-4190D](#) [STA-4890B](#)
[STA-3524](#) [STA-4175A](#) [STA-4110A](#) [STA-4124](#) [STA-300R](#) [STA-3512B](#) [STA-5790](#) [STA-5724AT](#) [STA-4812A](#) [STA-](#)
[4190A](#) [STA-4812D](#) [STA-6612B](#)