

Compatible with Eu Directive
 2002/EC - RoHS

ACT753SMX-4

The ACT753SMX-4 is a 4 pad, high quality, low aging SMD Crystal in a ceramic base / metal lid package, seam welded for good long term reliability. The lid is grounded through the package to assist with EMI issues and the pads are gold plated. Its wide frequency range and frequency tolerance / stability options make the device ideal for many applications including Notebook, PCMCIA, Instrumentation, Microprocessor Systems and Communications equipment.

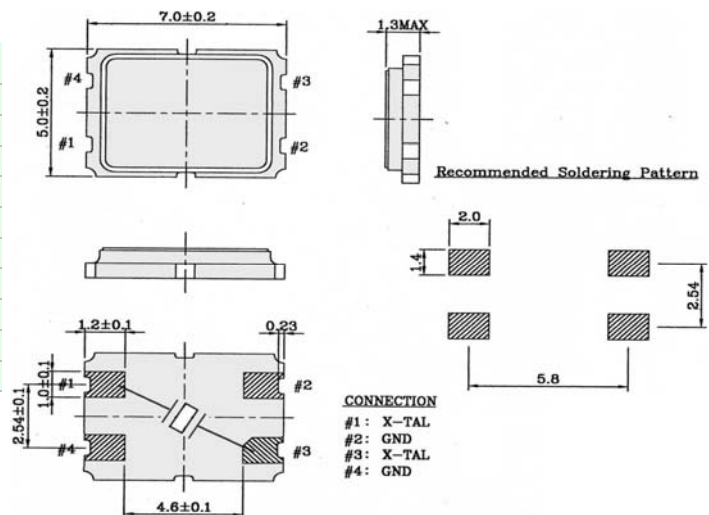


Specification

Parameter	Symbol	Specification	Condition
Frequency Range	fo	6.000 ~ 200.00MHz	Please specify
Frequency Tolerance (@25°C)	$\Delta f/fo$	$\pm 10, \pm 15, \pm 30$ & ± 50 ppm(Std)	(± 7.5 ppm available to 24.999MHz)
Stability over temp range	Tc	± 5 ppm ~ 100ppm (See table 2)	Please specify
Temp Operating Range	Topr	-10~+60°C, -20~+70°C, -40~+85°C	Please specify
Temp Storage Range	Tstg	-40 ~+85°C	
Equivalent Series Resistance	ESR	See table1 below	
Load Capacitance	CL	8pF ~ 50pF & Series	Please specify
Shunt Capacitance	C0	7pF max	
Drive Level	DL	100 μ W typical	Options available - please specify
Insulation Resistance	IR	500M Ω min	@100V DC
Aging	Fa	± 3 ppm / 1st year max	@25°C

Table 1

Freq. Range (MHz)	ESR (Ω) max	Mode / Cut
6.0000 & 6.144	150	Fundamental / AT
7.0000 ~ 9.999	70	Fundamental / AT
10.000 ~ 14.999	60	Fundamental / AT
15.000 ~ 19.999	50	Fundamental / AT
20.000 ~ 34.999	40	Fundamental / AT
35.000 ~ 43.999	80	3rd Overtone / AT
44.000 ~ 79.999	60	3rd Overtone / AT
80.000 ~ 125.00	50	3rd Overtone / AT
125.01 ~ 156.250	80	3rd Overtone / AT
125.01 ~ 200.00	150	5th Overtone / AT



Pad Surface Material Gold (Au)

Table 2

Stability Temp	+/- 5ppm	+/- 7.5ppm	+/- 10ppm	+/- 15ppm	+/- 20ppm	+/- 30ppm	+/- 50ppm	+/- 100ppm
0~+60°C	★	★	★	★	★	★	★	★
-10~+60°C		★	★	★	★	★	★	★
-10~+70°C		★	★	★	★	★	★	★
-20~+70°C		★	★	★	★	★	★	★
-30~+60°C		★	★	★	★	★	★	★
-30~+70°C			★	★	★	★	★	★
-20~+85°C				★	★	★	★	★
-30~+85°C				★	★	★	★	★
-40~+85°C				★	★	★	★	★
-40~+90°C						★	★	★
-40~+105°C						★	★	★

Please note that all parameters can not necessarily be specified in the same device

Customer to specify : Frequency, Frequency Tolerance, Temperature Stability, Operating Temperature & Load Capacitance

In line with our ongoing policy of product evolution and improvement, the above specification may subject to change without notice

ISO9001:2000 Registered

For quotations or further information please contact us a

3 The Business Centre, Molly Millars Lane, Wokingham, Berkshire, RG41 2EY, UK

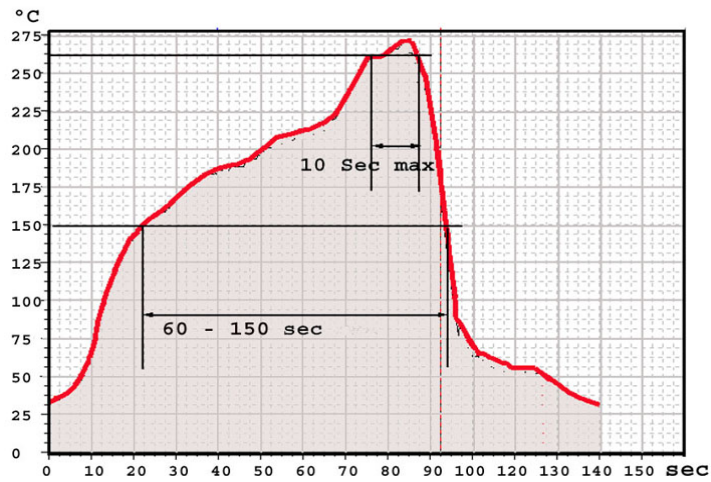
<http://www.actcrystals.com>

Issue: 10 SKr

Date: 18/4/07

ACT753SMX-4 continued

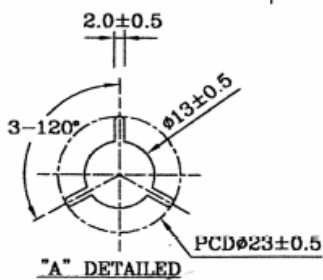
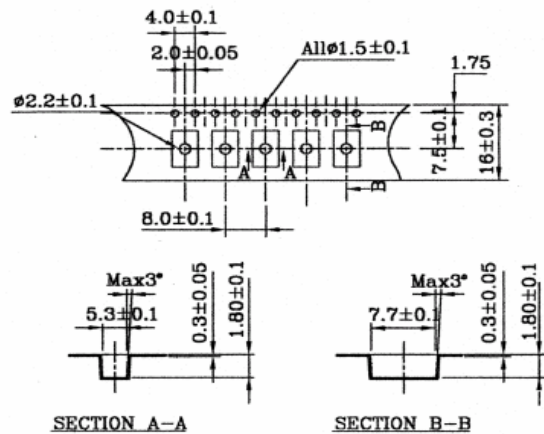
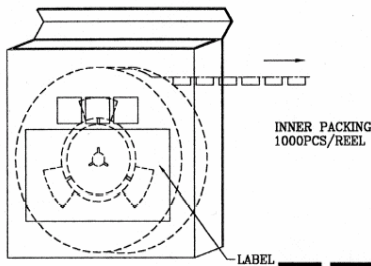
Maximum Re-flow Profile



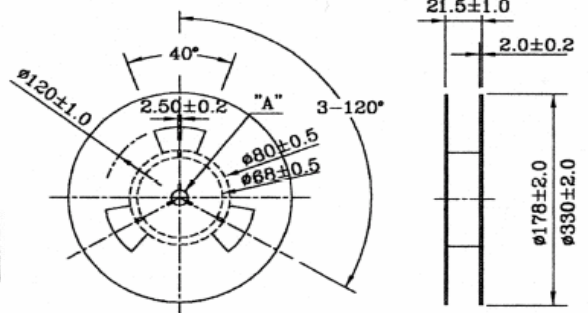
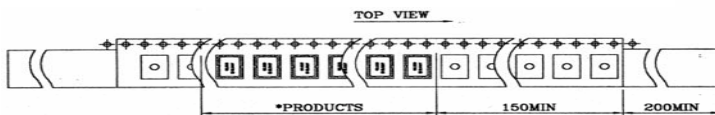
TAPE & REEL SPECIFICATION

(1K pcs each reel)

TAPE
 MAT'L : P.S
 COLOR : WHITE&BLACK
 REFERENCE R=0.2



REEL
 MAT'L : P.S
 COLOR : WHITE&BLACK



In line with our ongoing policy of product evolution and improvement, the above specification may subject to change without notice

ISO9001:2000 Registered

For quotations or further information please contact us at:
 3 The Business Centre, Molly Millars Lane, Wokingham, Berkshire, RG41 2EY, UK

<http://www.actcrystals.com>

Issue: 10 SKr
 Date: 18/4/07