

30.5	29.3	25.65	24.5	54104-5031	50
28.5	27.3	23.65	22.5	54104-4631	46
28.0	26.8	23.15	22.0	54104-4531	45
27.5	26.3	22.65	21.5	54104-4431	44
27.0	25.8	22.15	21.0	54104-4331	43
25.5	24.3	20.65	19.5	54104-4031	40
24.5	23.3	19.65	18.5	54104-3831	38
23.5	22.3	18.65	17.5	54104-3631	36
23.0	21.8	18.15	17.0	54104-3531	35
22.5	21.3	17.65	16.5	54104-3431	34
22.0	20.8	17.15	16.0	54104-3331	33
21.5	20.3	16.65	15.5	54104-3231	32
20.5	19.3	15.65	14.5	54104-3031	30
D	C	B	A	EMBOSSED PACKAGE ORDER NO. オオーダー番号	CKT.

CONNECTOR SERIES NO. : 54104-**-29

REVISED EC NO: J2012-1496 DRWN:KNAGUMO 2012/06/12 CHKD:KAKAHASHI 2012/06/12 APPR:KMORIKAWA 2012/06/12	GENERAL TOLERANCES (UNLESS SPECIFIED)		DIMENSION STYLE MM ONLY		SCALE ---	DESIGN UNITS METRIC	THIRD ANGLE PROJECTION
	10 UNDER	±0.2	DRAWN BY MNABEI	DATE '04/07/09	TITLE 0.5 FPC CONN. ZIF SMT R/A UPPER CONTACT SEPARATED GOLD PLATING		
	10 OVER 30 UNDER	±0.25	CHECKED BY KTOJO	DATE '04/07/09			
	30 OVER	±0.3	APPROVED BY NUKITA	DATE '04/07/09			
ANGULAR	±3 °	MATERIAL NO. SEE TABLE		DOCUMENT NO. SD-54104-077	SHEET NO. 1 OF 2		
DRAFT WHERE APPLICABLE MUST REMAIN WITHIN DIMENSIONS		THIS DRAWING CONTAINS INFORMATION THAT IS PROPRIETARY TO MOLEX INCORPORATED AND SHOULD NOT BE USED WITHOUT WRITTEN PERMISSION					

10 9 8 7 6 5 4 3 2 1

F

E

D

C

B

A

F

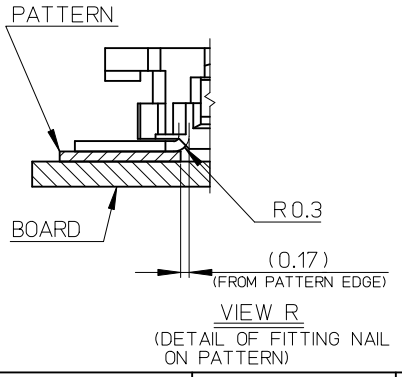
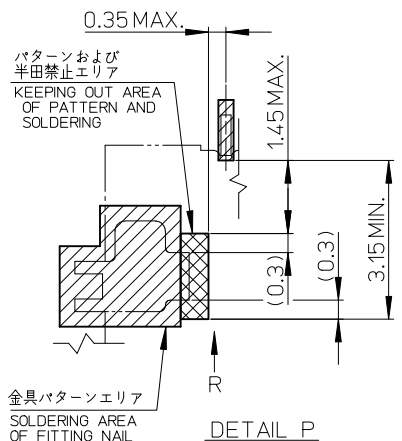
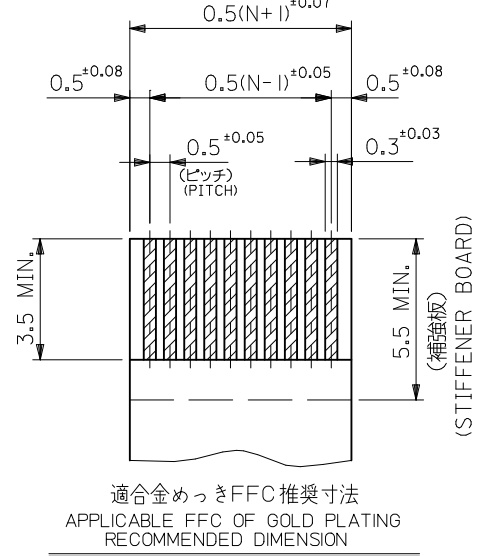
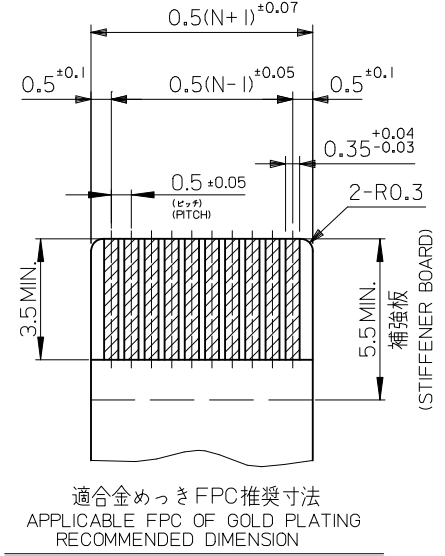
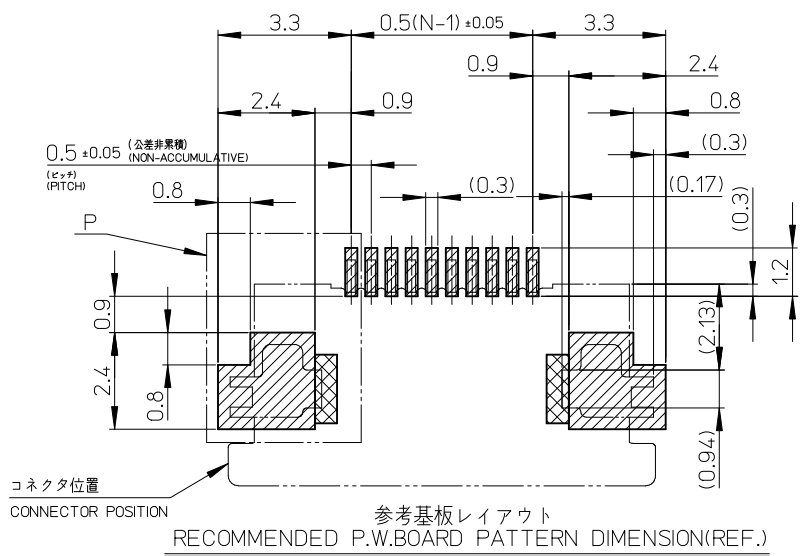
E

D

C

B

A



注記 NOTES

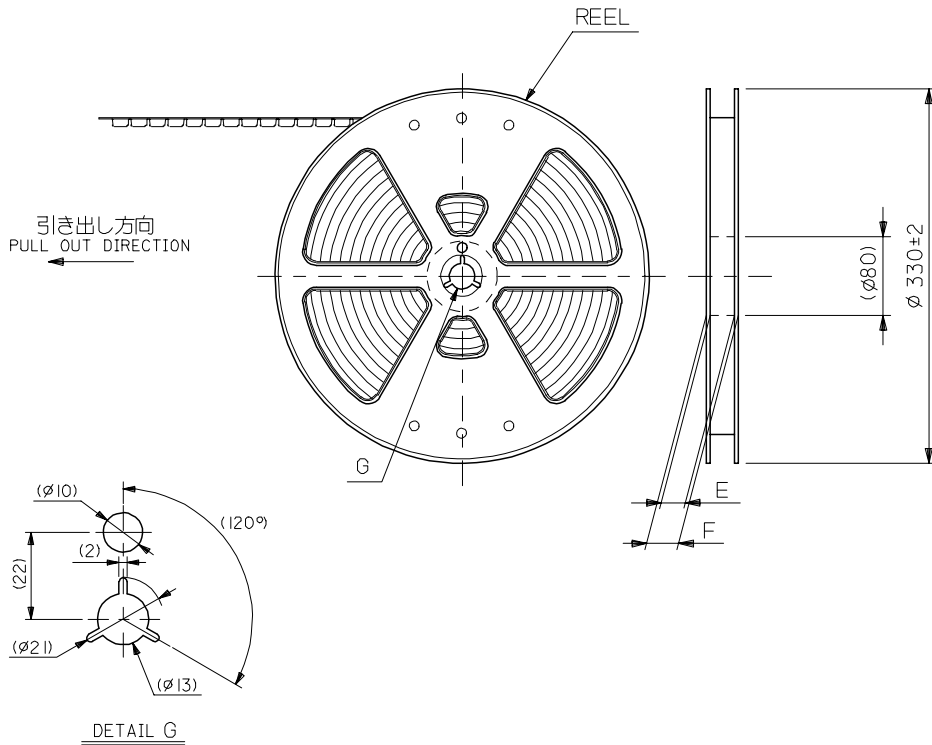
1. 使用材料 MATERIAL
ハウジング : 46ナイロン、ガラス充填、UL94V-0、白
HOUSING: PA46, GLASS FILLED, UL94V-0, WHITE
アクチュエータ: ポリフェニレンサルファイド (PPS)、ガラス充填、UL94V-0、茶色
ACTUATOR: POLYPHENYLENE SULFIDE, GLASS FILLED, UL94V-0, BROWN
ターミナル : リン青銅 (t=0.2) 金メッキ コンタクト部 0.1 MICROMETER MINIMUM
テール部 0.05 MICROMETER MINIMUM
ニッケル下地 1.0 MICROMETER MINIMUM
TERMINAL PHOS-BRONZE GOLD-PLATING
CONTACT PORTION : 0.1 MICROMETER MINIMUM
TAIL PORTION : 0.05 MICROMETER MINIMUM
NICKEL PLATING : 1.0 MICROMETER MINIMUM
金具 : リン青銅 (t=0.2) 錫メッキ 1.0~3.0 MICROMETER MINIMUM
ニッケル下地 1.0~3.0 MICROMETER MINIMUM
FITTING NAIL : PHOS-BRONZE TIN-PLATING 1.0~3.0 MICROMETER MINIMUM
OVER NICKEL 1.0~3.0 MICROMETER MINIMUM
2. エンボステープ梱包時はアクチュエータがロックした状態とする。
IN THE PACKAGE, ACTUATOR OF PART NO.54104-***29 SHOULD BE LOCKED.
ソルダータール半田付け面のズレ量、および金具半田付け面のズレ量は
基準面 (H) に対し上方向 0.1 MAXIMUM、下方向 0.15 MAXIMUM とする。
MISALIGNMENT OF SOLDER TAILS AND FITTING NAILS FROM (H)
UPPER DIRECTION : 0.1 MAXIMUM, LOWER DIRECTION : 0.15 MAXIMUM.

- △ 4 偶数極に適用。
APPLY FOR EVEN CIRCUIT.
- △ 5 パターンはく離止め金具。
FITTING NAIL FOR PREVENTION OF PEELING
OF P.W.BOARD PATTERN.
- 6. ELV & RoHS 適合品
ELV AND RoHS COMPLIANT

FPC/FFCについて：
打ち抜き方向は導体側から補強板側を推奨いたします。
導体部は軟銅箔 35MICROMETER または 50MICROMETER を推奨いたします。
RECOMMENDED PUNCHER DIRECTION
FROM CONDUCTOR SIDE TO STIFFENER BOARD SIDE.
RECOMMENDED CONDUCTOR SPEC
THICKNESS OF SOFT COPPER FOIL
: 35MICROMETERS OR 50MICROMETERS

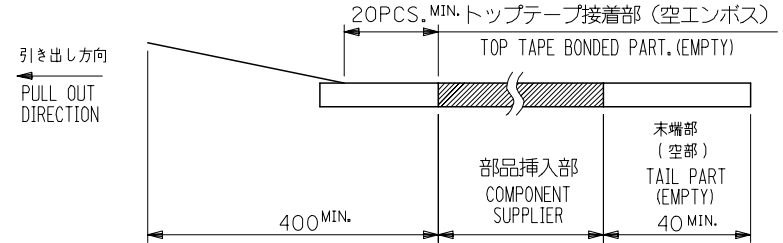
FPCについて：
補強フィルム材質はポリイミドを推奨いたします。
接着剤は熱硬化接着剤を推奨いたします。
RECOMMENDED MATERIAL
STIFFENER FILM : POLYIMIDE
BONDING AGENT : THERMOSETTING BONDING AGENT

REVISED EC NO: J2012-1496 DRWN: KAGIJO 2012/06/12 CHKD: TAKAHASHI 2012/06/12 APP: KMORI/KAWA 2012/06/12	DESCRIPTION REV	GENERAL TOLERANCES (UNLESS SPECIFIED)		DIMENSION STYLE MM ONLY		SCALE ---	DESIGN UNITS METRIC	THIRD ANGLE PROJECTION	
		10 UNDER	± ---	DRAWN BY MNABEI	DATE '04/07/09	TITLE 0.5 FPC CONN. ZIF SMT R/A UPPER CONTACT SEPARATED GOLD PLATING		molex	
		10 OVER 30 UNDER	± ---	CHECKED BY KTOJO	DATE '04/07/09	MATERIAL NO. SEE SHEET 1 OF 2	DOCUMENT NO. SD-54104-077		
		30 OVER	± ---	APPROVED BY NUKITA	DATE '04/07/09	THIS DRAWING CONTAINS INFORMATION THAT IS PROPRIETARY TO MOLEX INCORPORATED AND SHOULD NOT BE USED WITHOUT WRITTEN PERMISSION			
ANGULAR ± --- °		DRAFT WHERE APPLICABLE MUST REMAIN WITHIN DIMENSIONS		SIZE A3					



NOTES

1. 梱包数量：1500個/リール
NUMBER OF CONNECTORS : 1500PCS/REEL
2. リードテープ長さ LEAD TAPE LENGTH

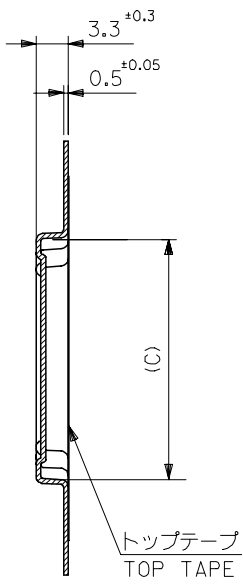


3. 材料 (MATERIAL)
 キャリアテープ (CARRIER TAPE) : ポリプロピレン (POLYPROPYLENE)
 トップテープ (TOPTAPE) : PET, PE, PEF
 リール (REEL) : ポリスチレン (POLYSTYLENE)
4. 本製品は 54104-**-96 のターミナル部分全メッキ品である。

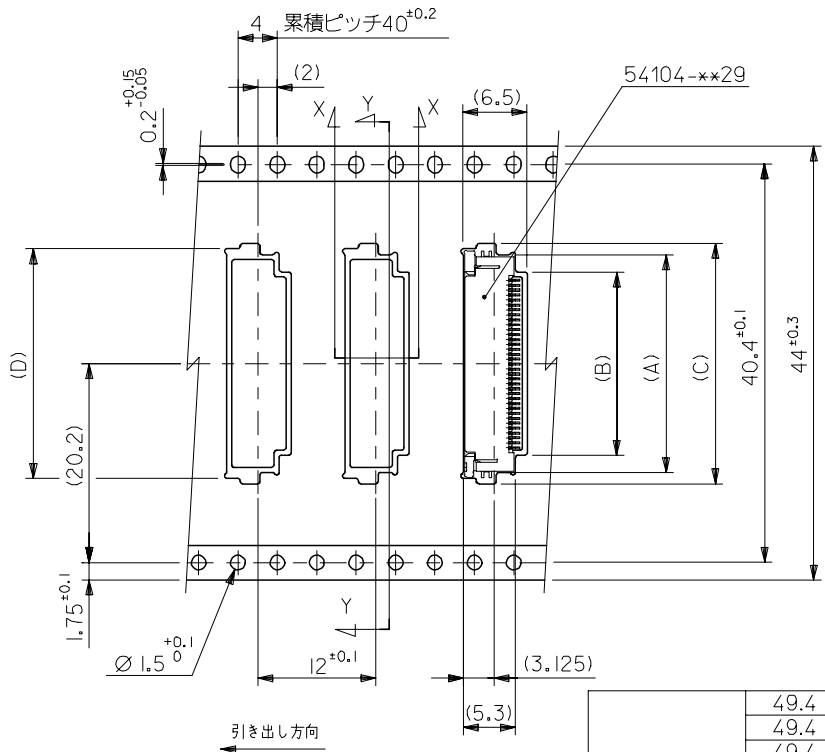
REVISED EC NO: J2007-2009 DRWN: YAMADA01 2007/01/23 CHKD: TOYODA 2007/01/25 APPR: NUKITA 2007/01/25	GENERAL TOLERANCES (UNLESS SPECIFIED)		DIMENSION STYLE MM ONLY	SCALE 2:1	DESIGN UNITS METRIC	THIRD ANGLE PROJECTION
	10 UNDER	± 0.2	DRAWN BY MNABEI	DATE '04/07/09	TITLE EMBOSSD TAPE PACKAGE FOR 54104-**-29 -LEAD FREE-	
	10 OVER 30 UNDER	± 0.25	CHECKED BY KTOJO	DATE '04/07/09	MOLEX INCORPORATED	
	30 OVER	± 0.3	APPROVED BY NUKITA	DATE '04/07/09		
ANGULAR ± 3 °		DRAFT WHERE APPLICABLE MUST REMAIN WITHIN DIMENSIONS	MATERIAL NO. SEE CHART	DOCUMENT NO. SD-54104-078	SHEET NO. 1 OF 2	

10 9 8 7 6 5 4 3 2 1

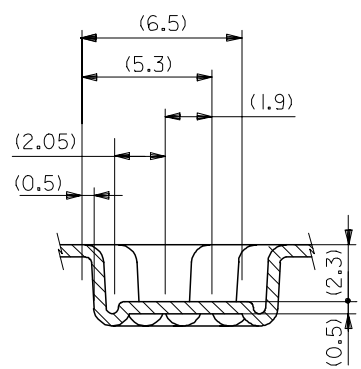
F
E
D
C
B
A



SECT:Y-Y



引き出し方向



44	49.4	45.4	30.8	31.9	26.1	29.6	54104-5031	50
	49.4	45.4	28.8	29.9	24.1	27.6	54104-4631	46
	49.4	45.4	28.3	29.4	23.6	27.1	54104-4531	45
	49.4	45.4	27.8	28.9	23.1	26.6	54104-4431	44
	49.4	45.4	27.3	28.4	22.6	26.1	54104-4331	43
	49.4	45.4	25.8	26.9	21.1	24.6	54104-4031	40
	49.4	45.4	24.8	25.9	20.1	23.6	54104-3831	38
	49.4	45.4	23.8	24.9	19.1	22.6	54104-3631	36
	49.4	45.4	23.3	24.4	18.6	22.1	54104-3531	35
	49.4	45.4	22.8	23.9	18.1	21.6	54104-3431	34
	49.4	45.4	22.3	23.4	17.6	21.1	54104-3331	33
	49.4	45.4	21.8	22.9	17.1	20.6	54104-3231	32
	49.4	45.4	20.8	21.9	16.1	19.6	54104-3031	30
キャリアテープ幅 CARRIER TAPE WIDTH	F	E	D	C	B	A	MATERIAL NO.	CKT.

REVISED EC NO: J2007-2009 DRWN: YAMADA01 2007/01/23 CHKD: KTOYODA 2007/01/25 APPR: NUKITA 2007/01/25	GENERAL TOLERANCES (UNLESS SPECIFIED)		DIMENSION STYLE MM ONLY		SCALE 2:1	DESIGN UNITS METRIC	THIRD ANGLE PROJECTION	
	10 UNDER	±0.2	DRAWN BY	DATE	TITLE			
	10 OVER 30 UNDER	±0.25	CHECKED BY	DATE	EMBOSSD TAPE PACKAGE FOR 54104-**-29 -LEAD FREE-			
	30 OVER	±0.3	APPROVED BY	DATE	MOLEX INCORPORATED			
ANGULAR	±3 °	DRAFT WHERE APPLICABLE MUST REMAIN WITHIN DIMENSIONS		MATERIAL NO.	SEE CHART	DOCUMENT NO.	SD-54104-078	SHEET NO. 2 OF 2
THIS DRAWING CONTAINS INFORMATION THAT IS PROPRIETARY TO MOLEX INCORPORATED AND SHOULD NOT BE USED WITHOUT WRITTEN PERMISSION								