



# Frontier Electronics Corp.

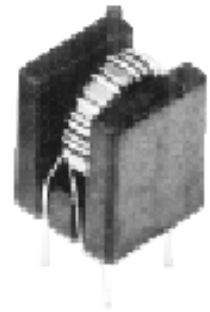
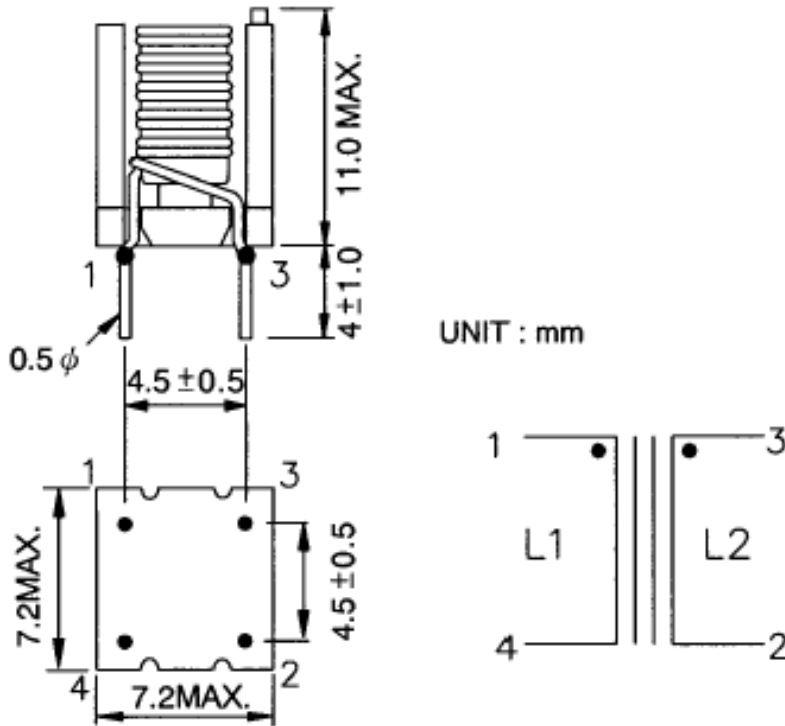
667 E. COCHRAN STREET, SIMI VALLEY, CA 93065  
 TEL: (805) 522-9998 FAX: (805) 522-9989  
 E-mail: frontiersales@frontierusa.com  
 Web: frontierusa.com

## Common Mode Line Filters—3702-461

### A. Specifications:

Part Number	Inductance (uH) $\pm 25\%$	Test Condition	/L1-L2/ (uH) Max.	DCR Max. (OHMS)	Rated Current (mA) RMS.
3702-461	460	100K/1.0V	30	0.10	500

### B. Mechanical Dimensions: (Unit: mm)



### C. General information:

1. Insulation Resistance: 10 MΩ minimum @ 100Vdc.
2. Rated Voltage (V): 50V.
3. Electrical specifications at 25°C.
4. Temperature Rise: 40°C.
5. Operating temperature: -25°C TO + 85°C.

★ Custom specifications are available.

Note: **RoHS** compliant; for the **ROHS** parts, we add “-LFR” at the end of the P/N.