

**PLEASE CHECK WWW.MOLEX.COM FOR LATEST PART INFORMATION**

**Part Number:** [0734153320](#)  
**Status:** **Active**  
**Description:** SMP Vertical PCB Plug

**Documents:**  
[Drawing \(PDF\)](#)

[RoHS Certificate of Compliance \(PDF\)](#)

**General**

Product Family	RF/Coax Connectors
Series	73415
Comments	PCB Mount
IP Rated	No
More Detailed Tech Information	<a href="mailto:rf@molex.com">rf@molex.com</a>
Product Name	SMP
Style	PCB
Wire/Cable Type	N/A

**Physical**

Cable Attachment	N/A
Gender	Male
Keying to Mating Part	N/A
Orientation	Straight
PCB Mounting	Surface Mount
Packaging Type	Embossed Tape on Reel
Panel Mount	No
Panel Mount Method	N/A
Reverse Polar	No

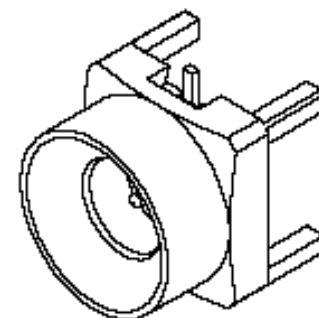
**Electrical**

Impedance	50 ohms
-----------	---------

**Material Info**

**Reference - Drawing Numbers**

Sales Drawing	SD-73415-332
---------------	--------------



*Series image - Reference only*

**EU RoHS**

**RoHS Compliant RF Product**

**REACH SVHC**

**Not Reviewed**

**Halogen-Free**

**Status**

**Not Reviewed**

**Need more information on product environmental compliance?**

Email [productcompliance@molex.com](mailto:productcompliance@molex.com)  
Please visit the [Contact Us](#) section for any non-product compliance questions.

**China RoHS**



Pb

**Search Parts in this Series**

[73415 Series](#)