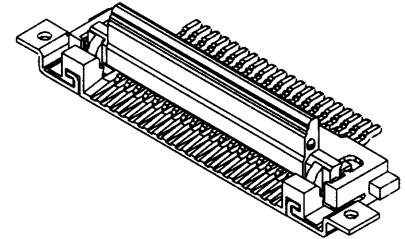




# 0.50mm (.020") Pitch Easy-On™ Type FFC/FPC Connector

## 35854

### Right Angle, SMT, ZIF Bottom Contact Offset Type, Bottom Mount



## FEATURES AND SPECIFICATIONS

### Features and Benefits

- Sizes 20 circuits
- For 0.14mm (.006") thick FFC/FPC
- Offset style: 1.00mm (.039") height below PCB
- Actuator rotates to allow for easy cable insertion from top or side
- Metal solder tabs provide PCB hold-down and strain relief for SMT tails

### Reference Information

Product Specification: PS-35854-001  
Packaging: Embossed tape  
Designed In: Millimeters

### Electrical

Voltage: 50V  
Current: 0.5A  
Contact Resistance: 20mΩ max.  
Dielectric Withstanding Voltage: 250V  
Insulation Resistance: 100 MΩ min.

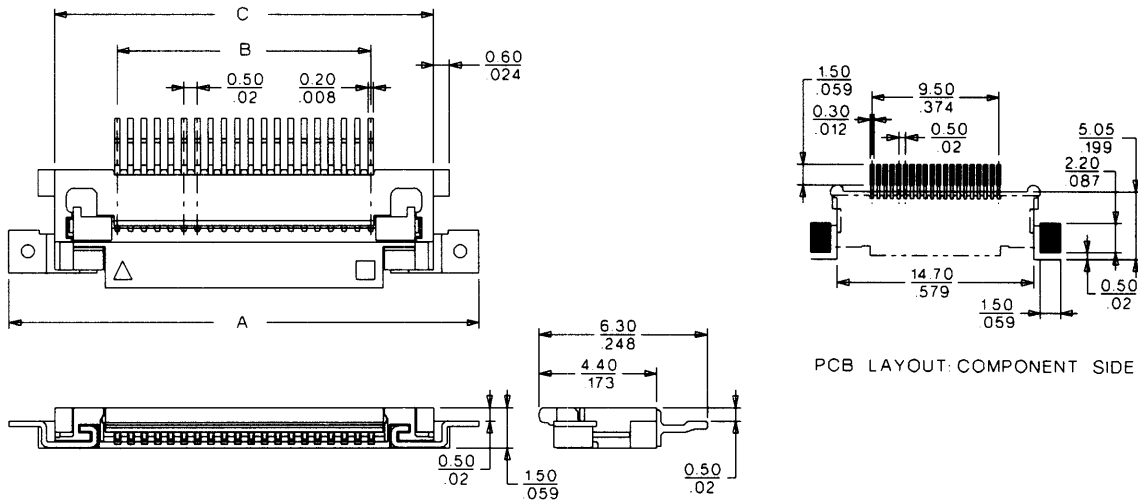
### Physical

Housing: Glass-filled LCP, UL 94V-0  
Actuator: PPS, UL 94V-0  
Contact: Phosphor Bronze  
Solder Tabs: Phosphor Bronze  
Plating: Tin/Lead  
Operating Temperature: -20 to +85°C

FFC/FPC Connectors



## CATALOG DRAWING (FOR REFERENCE ONLY)



## ORDERING INFORMATION AND DIMENSIONS

Circuits	Order No.	Dimension		
		A	B	C
20	35854-2090	17.60 (.693)	9.50 (.374)	14.20 (.559)

Note: For cable specification dimensions, see cable pages at end of section