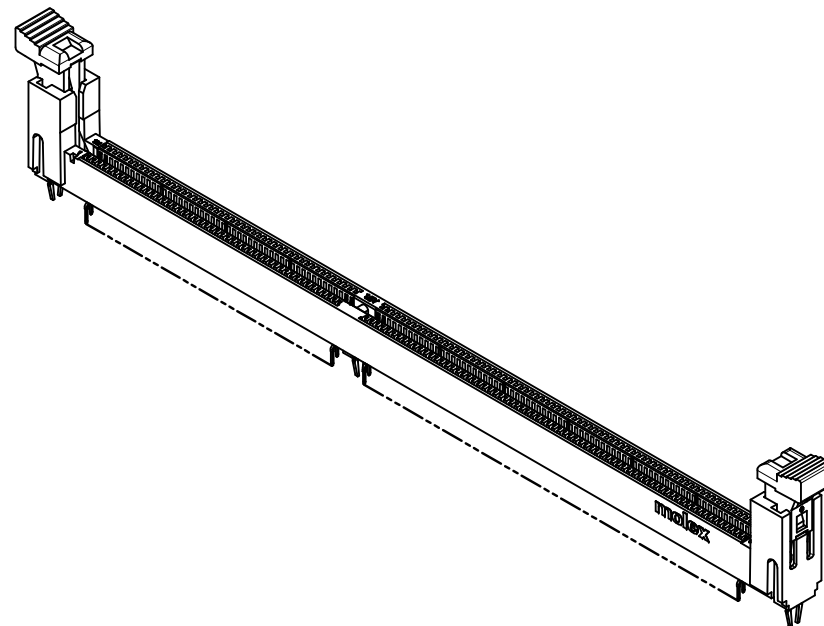
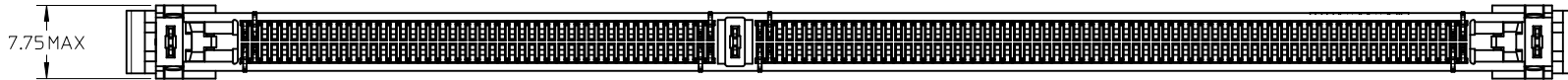
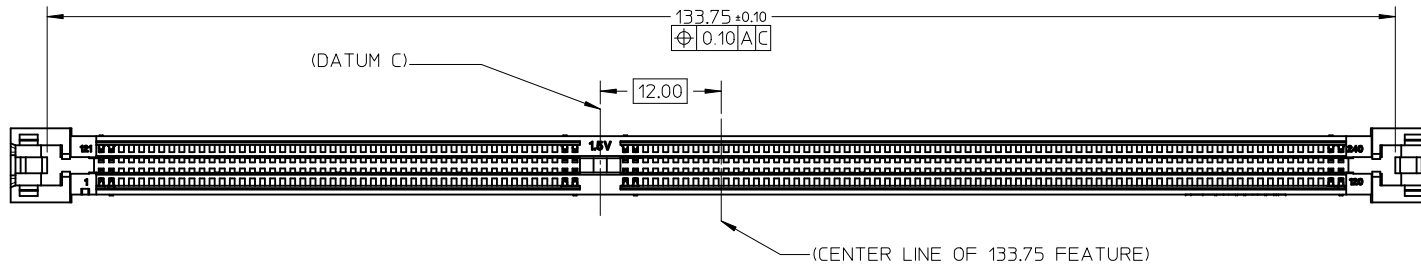


- NOTES :
- MATERIAL : HOUSING - HIGH TEMP. NYLON, GLASS FILLED, UL 94V-0
COLOUR : SEE SHEET 6 AND 7
LATCH - HIGH TEMP NYLON, GLASS FILLED, UL 94V-0
COLOUR : SEE SHEET 6 AND 7
TERMINAL : COPPER ALLOY.
 - TERMINAL PLATING OPTIONS: SEE TABLE ON SHEETS 6 & 7.
 - PRODUCT SPECIFICATION: SEE TABLE ON SHEETS 6 & 7.
 - PACKAGING INFORMATION: PRODUCT SHALL BE PACKED IN TRAY
 - CARD SLOT ACCEPTS 1.27±0.10MM MODULE THICKNESS (MEASURED FROM P.C. PADS).
 - MOLEX LOGO, DATE & PART NO. INDICATED ON HOUSING.
 - MODULE SEATING PLANE FROM TOP OF PCB.
 - KEEP OUT ZONE RESERVED FOR LATCH.

FORKLOCK UPDATED EC NO: S2010-0888 DRWN: JAKEEWEW 2010/04/29 CHKD: CCTEH 2010/06/10 APPR: SHLENI 2010/06/13	QUALITY SYMBOLS $F_A=0$ $F_C=0$ $F_P=0$	GENERAL TOLERANCES (UNLESS SPECIFIED)		DIMENSION STYLE MM ONLY		SCALE NTS	DESIGN UNITS METRIC	THIRD ANGLE PROJECTION			
		4 PLACES ± --- ± --- 3 PLACES ± --- ± --- 2 PLACES ± 0.2 ± --- 1 PLACE ± --- ± ---	mm INCH	DRAWN BY YTYANG01	DATE 2006/08/11	TITLE DDR3 DIMM, 100MM PITCH 240 CKTS, VERTICAL T/H					
		ANGULAR ± 1 °		CHECKED BY SHLENI	DATE 2006/09/07	MOLEX INCORPORATED					
		DRAFT WHERE APPLICABLE MUST REMAIN WITHIN DIMENSIONS		APPROVED BY SHLENI	DATE 2010/06/10	MATERIAL NO. SEE TABLE	DOCUMENT NO. SD-78079-001	SHEET NO. 1 OF 8			

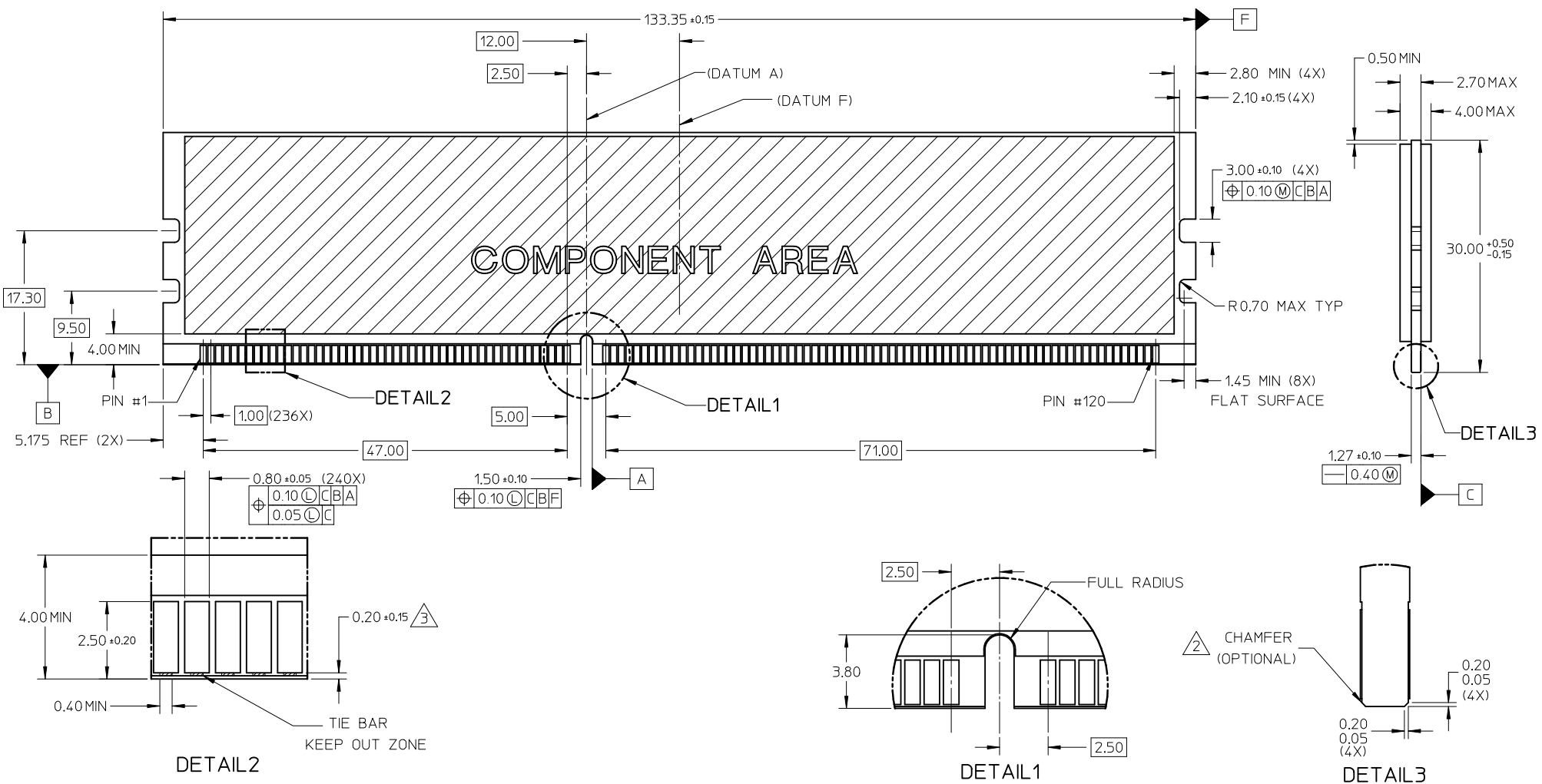
10 9 8 7 6 5 4 3 2 1



FORKLOCK UPDATED EC NO: S2010-0888 DRWN: JAKEEWEW 2010/04/29 CHKD: CCTEH 2010/06/10 APPR: SHLENI 2010/06/13	QUALITY SYMBOLS $\nabla_A = 0$ $\nabla_C = 0$ $\nabla_P = 0$	GENERAL TOLERANCES (UNLESS SPECIFIED)		DIMENSION STYLE MM ONLY		SCALE NTS	DESIGN UNITS METRIC	THIRD ANGLE PROJECTION		
			mm	INCH	DRAWN BY YTYANG01	DATE 2006/08/11	TITLE DDR3 DIMM, 100MM PITCH 240 CKTS, VERTICAL T/H			
		4 PLACES	± ---	± ---	CHECKED BY SHLENI	DATE 2006/09/07	MOLEX INCORPORATED MATERIAL NO. SEE TABLE DOCUMENT NO. SD-78079-001 SHEET NO. 2 OF 8			
		3 PLACES	± ---	± ---	APPROVED BY SHLENI	DATE 2010/06/10				
2 PLACES	± 0.2	± ---	ANGULAR ± 1 °		DRAFT WHERE APPLICABLE MUST REMAIN WITHIN DIMENSIONS					
1 PLACE	± ---	± ---	SIZE A3		THIS DRAWING CONTAINS INFORMATION THAT IS PROPRIETARY TO MOLEX INCORPORATED AND SHOULD NOT BE USED WITHOUT WRITTEN PERMISSION					

9 8 7 6 5 4 3 2 1

MODULE CARD
 DDR3 DUAL IN-LINE MEMORY MODULE FAMILY 1.00MM CONTACT CENTERS
 (JEDEC MO-269, ISSUE B, MAY 06)

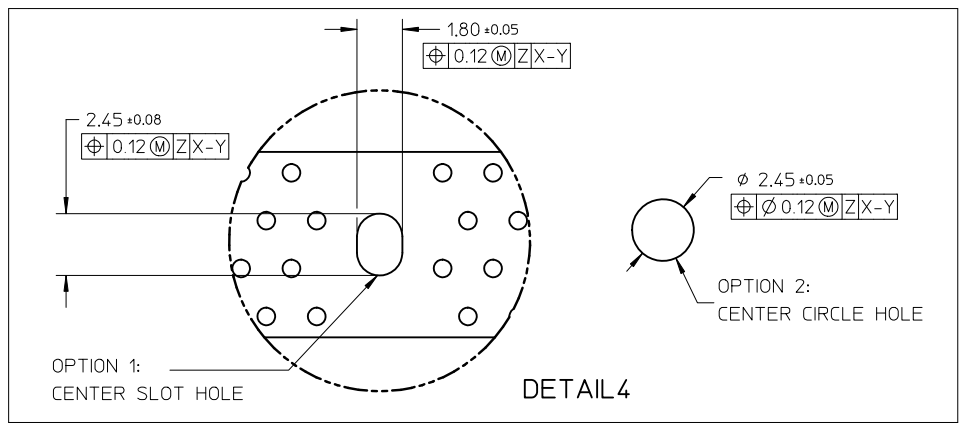
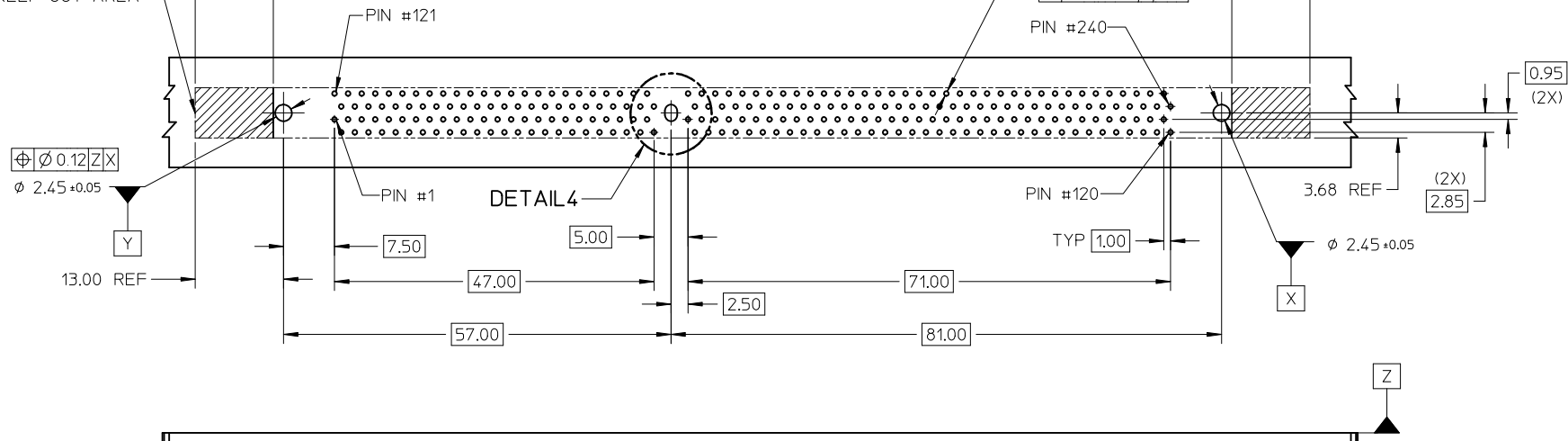


- NOTES:
- RECOMMENDED PLATING FOR CONTACT PADS:
 PREFERRED: 0.76 MICROMETERS GOLD PLATING MIN OVER 2.00 MICROMETERS NICKEL
 ALTERNATIVE: 0.05-0.75 MICROMETERS GOLD PLATING OVER 2.00 MICROMETERS NICKEL MUST USE AN ELECTRONIC CONTACT GRADE CORROSIVE BARRIER LUBRICANT
 - CHAMFER IS OPTIONAL AND IS NOT TO HIT THE GOLD PADS
 - LEADING EDGE OF GOLD PADS SPECIFIED BY KEEPOUT ZONE SHALL BE FREE OF BURRS AND EXTERNAL TIE BARS.

FORKLOCK UPDATED EC NO: S2010-0888 DRWN: JAKEEWEW 2010/04/29 CHYK: CCTEH 2010/06/10 APPR: SHLENI 2010/06/13	QUALITY SYMBOLS	GENERAL TOLERANCES (UNLESS SPECIFIED)		DIMENSION STYLE MM ONLY		SCALE NTS	DESIGN UNITS METRIC	THIRD ANGLE PROJECTION												
	$F_A = 0$ $F_G = 0$ $F_P = 0$	<table border="1"> <tr><th>mm</th><th>INCH</th></tr> <tr><td>4 PLACES ± ---</td><td>± ---</td></tr> <tr><td>3 PLACES ± ---</td><td>± ---</td></tr> <tr><td>2 PLACES ± 0.2</td><td>± ---</td></tr> <tr><td>1 PLACE ± ---</td><td>± ---</td></tr> </table>	mm	INCH	4 PLACES ± ---	± ---	3 PLACES ± ---	± ---	2 PLACES ± 0.2	± ---	1 PLACE ± ---	± ---	DRAWN BY YTYANG01	DATE 2006/08/11	TITLE DDR3 DIMM, 1.00MM PITCH 240 CKTS, VERTICAL T/H					
	mm	INCH																		
	4 PLACES ± ---	± ---																		
3 PLACES ± ---	± ---																			
2 PLACES ± 0.2	± ---																			
1 PLACE ± ---	± ---																			
<table border="1"> <tr><td colspan="2">ANGULAR ± 1 °</td></tr> </table>	ANGULAR ± 1 °		APPROVED BY SHLENI	DATE 2010/06/10	MATERIAL NO. SEE TABLE															
ANGULAR ± 1 °																				
A4	REV	DRAFT WHERE APPLICABLE MUST REMAIN WITHIN DIMENSIONS		SIZE A3		DOCUMENT NO. SD-78079-001														

10 9 8 7 6 5 4 3 2 1

KEEP OUT AREA

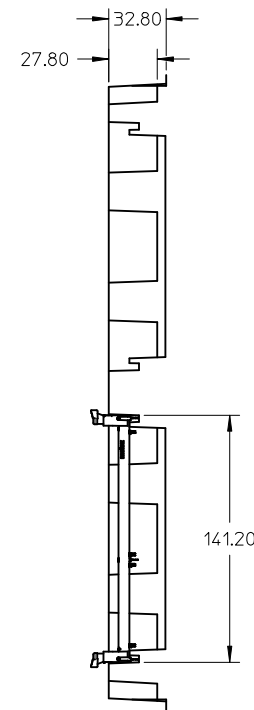
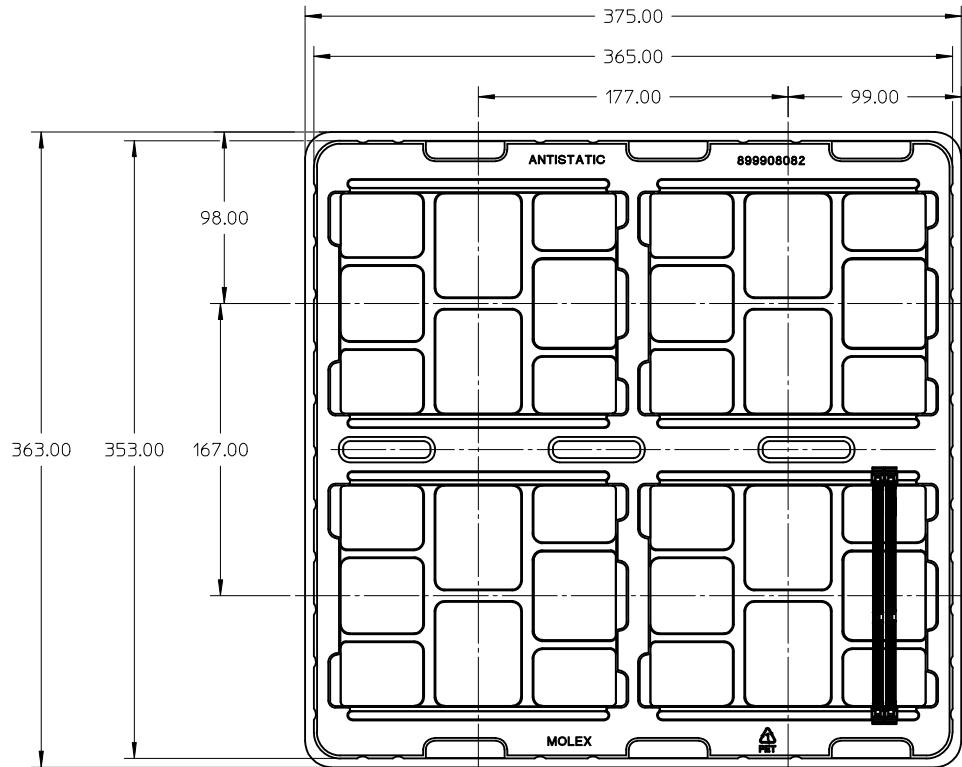


NOTE:
 1. KEEP OUT AREA IS THE AREA WHERE THE CONNECTOR (INCLUDING LATCH) IS MOUNTED ON THE PCB.

FORKLOCK UPDATED EC NO: S2010-0888 DRWN: JAKEEWEW 2010/04/29 CHKD: CCTEH 2010/06/10 APPR: SHLENI 2010/06/13	QUALITY SYMBOLS $F_A=0$ $F_C=0$ $F_P=0$	GENERAL TOLERANCES (UNLESS SPECIFIED)		DIMENSION STYLE MM ONLY		SCALE NTS	DESIGN UNITS METRIC	THIRD ANGLE PROJECTION	
		4 PLACES ± --- ± --- 3 PLACES ± --- ± --- 2 PLACES ± 0.2 ± --- 1 PLACE ± --- ± ---	mm INCH	DRAWN BY YTYANG01	DATE 2006/08/11	TITLE DDR3 DIMM, 100MM PITCH 240 CKTS, VERTICAL T/H			
		ANGULAR ± 1 °		CHECKED BY SHLENI	DATE 2006/09/07	MOLEX INCORPORATED			
	DRAFT WHERE APPLICABLE MUST REMAIN WITHIN DIMENSIONS		SEE TABLE	MATERIAL NO. SD-78079-001	DOCUMENT NO.	SHEET NO. 4 OF 8			

9 8 7 6 5 4 3 2 1

10 9 8 7 6 5 4 3 2 1



NOTES:
1. QTY OF CAVITY: 20 X 4 = 80 PCS

FORKLOCK UPDATED EC NO: S2010-0888 DRWN: JAKEEWEW 2010/04/29 CHKD: CCTEH 2010/06/10 APPR: SHLENI 2010/06/13	QUALITY SYMBOLS	GENERAL TOLERANCES (UNLESS SPECIFIED)		DIMENSION STYLE MM ONLY		SCALE NTS	DESIGN UNITS METRIC	THIRD ANGLE PROJECTION	
	$F_A=0$	4 PLACES	mm	INCH	DRAWN BY YTYANG01	DATE 2006/08/11	TITLE DDR3 DIMM, 100MM PITCH 240 CKTS, VERTICAL T/H		
	$F_C=0$	3 PLACES	\pm ---	\pm ---	CHECKED BY SHLENI	DATE 2006/09/07	MATERIAL NO. SEE TABLE		
	$F_P=0$	2 PLACES	\pm 0.2	\pm ---	APPROVED BY SHLENI	DATE 2010/06/10	DOCUMENT NO. SD-78079-001		
		1 PLACE	\pm ---	\pm ---	ANGULAR \pm 1 °		SHEET NO. 5 OF 8		
		DRAFT WHERE APPLICABLE MUST REMAIN WITHIN DIMENSIONS		SIZE A3		THIS DRAWING CONTAINS INFORMATION THAT IS PROPRIETARY TO MOLEX INCORPORATED AND SHOULD NOT BE USED WITHOUT WRITTEN PERMISSION			

9 8 7 6 5 4 3 2 1

ASSEMBLY PART NO.	VOLTAGE KEY	HOUSING COLOR	LATCH COLOR	DIM 'P'	RECOMMENDED PCB THICKNESS	PLATING OPTION	PRODUCT SPECIFICATION		
78079-0001	CENTRE (1.5V)	BLACK	BLACK	2.67	1.57	0.38 MICROMETER/ 15 MICROINCH MIN. GOLD ON CONTACT 2.54 MICROMETER/ 100 MICROINCH MIN. PURE TIN ON SOLDER TAILS 1.27 MICROMETER/ 50 MICROINCH MIN. NICKEL UNDERPLATE	PS-78079-001		
78079-0003				3.00	2.18				
78079-0002				3.18	2.36				
78079-0011				2.67	1.57	0.76 MICROMETER/ 30 MICROINCH MIN. GOLD ON CONTACT 2.54 MICROMETER/ 100 MICROINCH MIN. PURE TIN ON SOLDER TAILS 1.27 MICROMETER/ 50 MICROINCH MIN. NICKEL UNDERPLATE		PS-78079-002	
78079-0013				3.00	2.18				
78079-0012				3.18	2.36				
78079-0021				2.67	1.57	0.076 MICROMETER/ 3 MICROINCH MIN. GOLD ON CONTACT 2.54 MICROMETER/ 100 MICROINCH MIN. PURE TIN ON SOLDER TAILS 1.27 MICROMETER/ 50 MICROINCH MIN. NICKEL UNDERPLATE		PS-78079-003	
78079-0023				3.00	2.18				
78079-0022				3.18	2.36				
78079-0051			NATURAL (OFFWHITE)		0.38 MICROMETER/ 15 MICROINCH MIN. GOLD ON CONTACT 2.54 MICROMETER/ 100 MICROINCH MIN. PURE TIN ON SOLDER TAILS 1.27 MICROMETER/ 50 MICROINCH MIN. NICKEL UNDERPLATE	PS-78079-001			
78079-0053							2.67	1.57	
78079-0052							3.00	2.18	
78079-0061					3.18		2.36	0.76 MICROMETER/ 30 MICROINCH MIN. GOLD ON CONTACT 2.54 MICROMETER/ 100 MICROINCH MIN. PURE TIN ON SOLDER TAILS 1.27 MICROMETER/ 50 MICROINCH MIN. NICKEL UNDERPLATE	PS-78079-002
78079-0063					2.67		1.57		
78079-0062					3.00		2.18		
78079-0071					3.18		2.36	0.076 MICROMETER/ 3 MICROINCH MIN. GOLD ON CONTACT 2.54 MICROMETER/ 100 MICROINCH MIN. PURE TIN ON SOLDER TAILS 1.27 MICROMETER/ 50 MICROINCH MIN. NICKEL UNDERPLATE	PS-78079-003
78079-0073					2.67		1.57		
78079-0072					3.00		2.18		

FORKLOCK UPDATED EC NO: S2010-0888 DRWN: JAKEEWEW 2010/04/29 CHKD: CCTEH 2010/06/10 APPR: SHLENI 2010/06/13	QUALITY SYMBOLS	GENERAL TOLERANCES (UNLESS SPECIFIED)	DIMENSION STYLE MM ONLY	SCALE NTS	DESIGN UNITS METRIC	THIRD ANGLE PROJECTION	
	$F_A=0$ $F_C=0$ $F_P=0$	mm INCH 4 PLACES ± --- ± --- 3 PLACES ± --- ± --- 2 PLACES ± 0.2 ± --- 1 PLACE ± --- ± ---	DRAWN BY: YTYANG01 DATE: 2006/08/11 CHECKED BY: SHLENI DATE: 2006/09/07 APPROVED BY: SHLENI DATE: 2010/06/10	TITLE: DDR3 DIMM, 1.00MM PITCH 240 CKTS, VERTICAL T/H			
	ANGULAR ± 1 °	DRAFT WHERE APPLICABLE MUST REMAIN WITHIN DIMENSIONS	MATERIAL NO. DOCUMENT NO.	MOLEX INCORPORATED SD-78079-001			
	SIZE: A3	THIS DRAWING CONTAINS INFORMATION THAT IS PROPRIETARY TO MOLEX INCORPORATED AND SHOULD NOT BE USED WITHOUT WRITTEN PERMISSION					

ASSEMBLY PART NO.	VOLTAGE KEY	HOUSING COLOR	LATCH COLOR	DIM 'P'	RECOMMENDED PCB THICKNESS	PLATING OPTION	PRODUCT SPECIFICATION	
78079-0201	CENTRE (1.5V)	BLUE	NATURAL (OFFWHITE)	2.67	1.57	0.38 MICROMETER/ 15 MICROINCH MIN. GOLD ON CONTACT 2.54 MICROMETER/ 100 MICROINCH MIN. PURE TIN ON SOLDER TAILS 1.27 MICROMETER/ 50 MICROINCH MIN. NICKEL UNDERPLATE	PS-78079-001	
78079-0203				3.00	2.18			
78079-0202				3.18	2.36			
78079-0211				2.67	1.57	0.76 MICROMETER/ 30 MICROINCH MIN. GOLD ON CONTACT 2.54 MICROMETER/ 100 MICROINCH MIN. PURE TIN ON SOLDER TAILS 1.27 MICROMETER/ 50 MICROINCH MIN. NICKEL UNDERPLATE		PS-78079-002
78079-0213				3.00	2.18			
78079-0212				3.18	2.36			
78079-0221		2.67	1.57	0.076 MICROMETER/ 3 MICROINCH MIN. GOLD ON CONTACT 2.54 MICROMETER/ 100 MICROINCH MIN. PURE TIN ON SOLDER TAILS 1.27 MICROMETER/ 50 MICROINCH MIN. NICKEL UNDERPLATE	PS-78079-003			
78079-0223		3.00	2.18					
78079-0222		3.18	2.36					
78079-0351		GREEN	NATURAL (OFFWHITE)	2.67		1.57	0.38 MICROMETER/ 15 MICROINCH MIN. GOLD ON CONTACT 2.54 MICROMETER/ 100 MICROINCH MIN. PURE TIN ON SOLDER TAILS 1.27 MICROMETER/ 50 MICROINCH MIN. NICKEL UNDERPLATE	PS-78079-001
78079-0353				3.00		2.18		
78079-0352				3.18		2.36		
78079-0361				2.67	1.57	0.76 MICROMETER/ 30 MICROINCH MIN. GOLD ON CONTACT 2.54 MICROMETER/ 100 MICROINCH MIN. PURE TIN ON SOLDER TAILS 1.27 MICROMETER/ 50 MICROINCH MIN. NICKEL UNDERPLATE	PS-78079-002	
78079-0363				3.00	2.18			
78079-0362				3.18	2.36			
78079-0371				2.67	1.57	0.076 MICROMETER/ 3 MICROINCH MIN. GOLD ON CONTACT 2.54 MICROMETER/ 100 MICROINCH MIN. PURE TIN ON SOLDER TAILS 1.27 MICROMETER/ 50 MICROINCH MIN. NICKEL UNDERPLATE		PS-78079-003
78079-0373				3.00	2.18			
78079-0372		3.18	2.36					

FORKLOCK UPDATED EC NO: S2010-0888 DRWN: JAKEEWEW 2010/04/29 CHKD: CTEH 2010/06/10 APPR: SHLENI 2010/06/13	QUALITY SYMBOLS	GENERAL TOLERANCES (UNLESS SPECIFIED)	DIMENSION STYLE MM ONLY	SCALE NTS	DESIGN UNITS METRIC	THIRD ANGLE PROJECTION	
	$F_A=0$ $F_C=0$ $F_P=0$	mm INCH 4 PLACES ± --- ± --- 3 PLACES ± --- ± --- 2 PLACES ± 0.2 ± --- 1 PLACE ± --- ± --- ANGULAR ± 1 °	DRAWN BY: YTYANG01 DATE: 2006/08/11 CHECKED BY: SHLENI DATE: 2006/09/07 APPROVED BY: SHLENI DATE: 2010/06/10	TITLE: DDR3 DIMM, 1.00MM PITCH 240 CKTS, VERTICAL T/H			
		DRAFT WHERE APPLICABLE MUST REMAIN WITHIN DIMENSIONS	MATERIAL NO. DOCUMENT NO. SEE TABLE SD-78079-001	SHEET NO. 7 OF 8			
	A4		SIZE: A3 THIS DRAWING CONTAINS INFORMATION THAT IS PROPRIETARY TO MOLEX INCORPORATED AND SHOULD NOT BE USED WITHOUT WRITTEN PERMISSION				

F

E

D

C

B

A

ASSEMBLY PART NO.	VOLTAGE KEY	HOUSING COLOR	LATCH COLOR	DIM 'P'	RECOMMENDED PCB THICKNESS	PLATING OPTION	PRODUCT SPECIFICATION			
78079-0101	CENTRE (1.5V)	NATURAL (OFFWHITE)	NATURAL (OFFWHITE)	2.67	1.57	0.38 MICROMETER/ 15 MICROINCH MIN. GOLD ON CONTACT 2.54 MICROMETER/ 100 MICROINCH MIN. PURE TIN ON SOLDERTAILS 1.27 MICROMETER/ 50 MICROINCH MIN. NICKEL UNDERPLATE	PS-78079-001			
78079-0103				3.00	2.18					
78079-0102				3.18	2.36					
78079-0111							2.67	1.57	0.76 MICROMETER/ 30 MICROINCH MIN. GOLD ON CONTACT 2.54 MICROMETER/ 100 MICROINCH MIN. PURE TIN ON SOLDERTAILS 1.27 MICROMETER/ 50 MICROINCH MIN. NICKEL UNDERPLATE	PS-78079-002
78079-0113							3.00	2.18		
78079-0112							3.18	2.36		
78079-0121							2.67	1.57	0.076 MICROMETER/ 3 MICROINCH MIN. GOLD ON CONTACT 2.54 MICROMETER/ 100 MICROINCH MIN. PURE TIN ON SOLDERTAILS 1.27 MICROMETER/ 50 MICROINCH MIN. NICKEL UNDERPLATE	PS-78079-003
78079-0123							3.00	2.18		
78079-0122				3.18	2.36					

FORKLOCK UPDATED EC NO: S2010-0888 DRWN: JAKEEWEW 2010/04/29 CHKD: CTEH 2010/06/10 APPR: SHLENI 2010/06/13	DESCRIPTION REV	QUALITY SYMBOLS	GENERAL TOLERANCES (UNLESS SPECIFIED)	DIMENSION STYLE MM ONLY	SCALE NTS	DESIGN UNITS METRIC	THIRD ANGLE PROJECTION
		$\nabla_A = 0$ $\nabla_C = 0$ $\nabla_P = 0$	mm INCH 4 PLACES ± --- ± --- 3 PLACES ± --- ± --- 2 PLACES ± 0.2 ± --- 1 PLACE ± --- ± --- ANGULAR ± 1 °	DRAWN BY DATE YTYANG01 2006/08/11 CHECKED BY DATE SHLENI 2006/09/07 APPROVED BY DATE SHLENI 2010/06/10	TITLE DDR3 DIMM, 1.00MM PITCH 240 CKTS, VERTICAL T/H		
		DRAFT WHERE APPLICABLE MUST REMAIN WITHIN DIMENSIONS	MATERIAL NO. SEE TABLE	DOCUMENT NO. MOLEX INCORPORATED SD-78079-001	SHEET NO. 8 OF 8		
		SIZE A3	THIS DRAWING CONTAINS INFORMATION THAT IS PROPRIETARY TO MOLEX INCORPORATED AND SHOULD NOT BE USED WITHOUT WRITTEN PERMISSION				