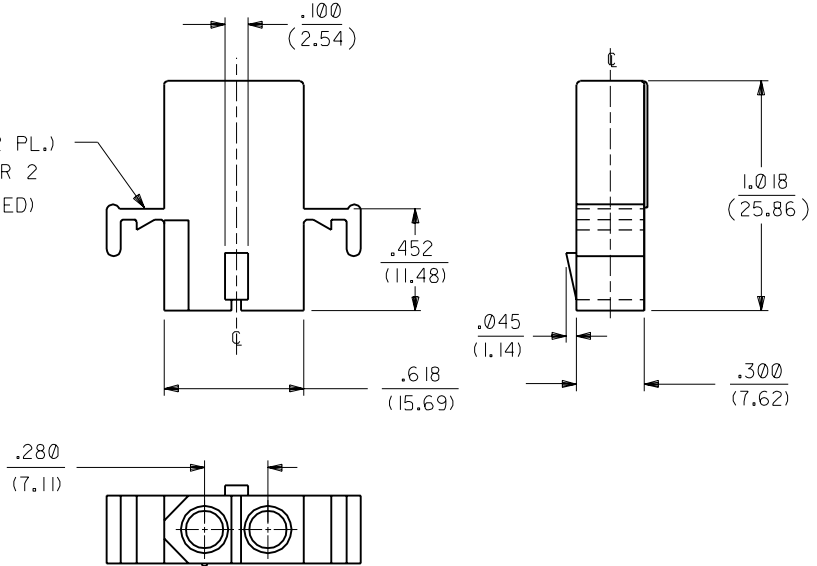


4306-R RECEPTACLE HOUSING

MOUNTING EAR (2 PL.)
SEE DETAIL 1 OR 2
(WHEN SPECIFIED)



DIMENSIONS SHOWN (METRIC) INCH

UNLESS OTHERWISE SPECIFIED
TOLERANCES: ANGULAR ± 1/2°

	INCH	METRIC
3 PLACE	± .010	---
2 PLACE	± .014	± 0.25
1 PLACE	---	± 0.35

DRAFT WHERE APPLICABLE MUST
REMAIN WITHIN DIMENSIONS

▽ = 0 ▼ = 0 REVISE ONLY ON CAD SYSTEM

TITLE
HOUSING, 2 CIRCUIT
PLUG AND RECEPTACLE
.125/(3.18) DIA.

MOLEX INCORPORATED SHEET NO. DATE
LISLE, ILL. 60532 U.S.A. 2 6/4/87

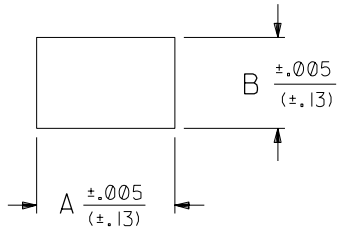
PART NO. SEE CHART DRWG. NO. SD-4306-*

FILE NAME SD4306X2 DIV. CP SIZE
DEN THIS DRAWING CONTAINS INFORMATION THAT IS PROPRIETARY TO MOLEX INC. AND SHOULD NOT BE USED WITHOUT WRITTEN PERMISSION. B

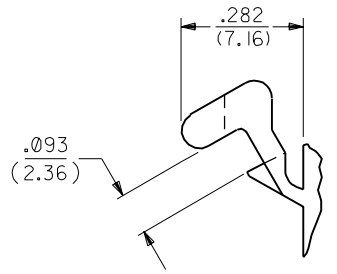
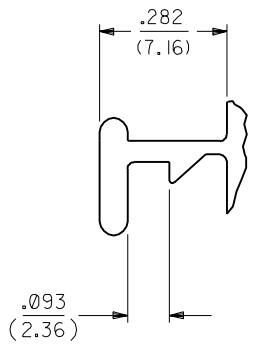
DRWG. BY	GEP	CHK'D. BY	RW
APP'D. BY	RAS	SCALE	2 : 1
LTR.	REVISIONS	LTR.	REVISIONS

PLUG		
PART NO.	ENG. NO.	DESCRIPTION
03-12-2021	4306-P	PLUG WITH STANDARD EARS (DETAIL 1)
03-12-2022	4306-P1	PLUG W/O EARS
03-12-2023	4306-PB	PLUG W/PREBENT EARS (DETAIL 2)

RECEPTACLE		
PART NO.	ENG. NO.	DESCRIPTION
03-12-1021	4306-R	RECEPTACLE WITH STANDARD EARS (DETAIL 1)
03-12-1022	4306-R1	RECEPTACLE W/O EARS
03-12-1023	4306-RB	RECEPTACLE W/PREBENT EARS (DETAIL 2)



MOUNTING PANEL OPENING		
HOUSING	DIM. "A"	DIM. "B"
PLUG	.878/(22.30)	.432/(10.97)
RECEPTACLE	.778/(19.76)	.375/(9.53)



- NOTES:
1. MATERIAL: NYLON TYPE 6/6, 94V-2, NATURAL.
 2. FOR USE WITH .125/(3.18) DIA. SERIES TERMINALS.
 3. MAXIMUM PANEL THICKNESS .090/(2.29).

		F	SEE SHEET 1
		E	SEE SHEET 1
LTR.	REVISIONS	LTR.	REVISIONS

DIMENSIONS SHOWN (METRIC) INCH	
UNLESS OTHERWISE SPECIFIED TOLERANCES: ANGULAR ± 1/2°	
INCH METRIC	
3 PLACE	± .010 ---
2 PLACE	± .014 ± 0.25
1 PLACE	--- ± 0.35
DRAFT WHERE APPLICABLE MUST REMAIN WITHIN DIMENSIONS	
DRWG. BY	GEP
CHK'D. BY	RW
APP'D. BY	RAS
SCALE 2 : 1	

= 0 = 0 REVISE ONLY ON CAD SYSTEM
 TITLE: HOUSING, 2 CIRCUIT PLUG AND RECEPTACLE
 .125/(3.18) DIA.
 MOLEX INCORPORATED SHEET NO. DATE
 LISLE, ILL. 60532 U.S.A. 3 6/5/87
 PART NO. SEE CHART DRWG. NO. SD-4306-
 FILE NAME: SD4306X3.DWG THIS DRAWING CONTAINS INFORMATION THAT IS PROPRIETARY TO MOLEX INC. AND SHOULD NOT BE USED WITHOUT WRITTEN PERMISSION.
 DIV. CP SIZE B