

SOT-23 Plastic-Encapsulate Transistors**MMBT2222ALT1** TRANSISTOR (NPN)**FEATURES**

Power dissipation

$$P_{CM}: 0.3 \text{ W (Tamb=25°C)}$$

Collector current

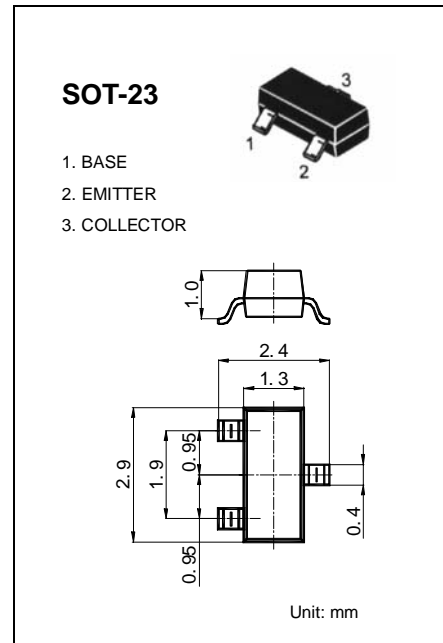
$$I_{CM}: 0.6 \text{ A}$$

Collector-base voltage

$$V_{(BR)CBO}: 75 \text{ V}$$

Operating and storage junction temperature range

$$T_J, T_{stg}: -55\text{°C to }+150\text{°C}$$

**ELECTRICAL CHARACTERISTICS (Tamb=25°C unless otherwise specified)**

Parameter	Symbol	Test conditions	MIN	TYP	MAX	UNIT
Collector-base breakdown voltage	$V_{(BR)CBO}$	$I_C=10\mu\text{A}, I_E=0$	75			V
Collector-emitter breakdown voltage	$V_{(BR)CEO}$	$I_C=10\text{mA}, I_B=0$	40			V
Emitter-base breakdown voltage	$V_{(BR)EBO}$	$I_E=10\mu\text{A}, I_C=0$	6			V
Collector cut-off current	I_{CBO}	$V_{CB}=70\text{V}, I_E=0$			0.1	μA
Collector cut-off current	I_{CEO}	$V_{CE}=35\text{V}, I_B=0$			0.1	μA
Emitter cut-off current	I_{EBO}	$V_{EB}=3\text{V}, I_C=0$			0.1	μA
DC current gain	$H_{FE(1)}$	$V_{CE}=10\text{V}, I_C=150\text{mA}$	100		300	
	$H_{FE(2)}$	$V_{CE}=10\text{V}, I_C=1\text{mA}$	50			
Collector-emitter saturation voltage	$V_{CE(sat)}$	$I_C=500\text{mA}, I_B=50\text{mA}$			0.6	V
Base-emitter saturation voltage	$V_{BE(sat)}$	$I_C=500\text{mA}, I_B=50\text{mA}$			1.2	V
Transition frequency	f_T	$V_{CE}=20\text{V}, I_C=20\text{mA}$ $f=100\text{MHz}$	300			MHz

DEVICE MARKING:

MMBT2222A = 1P