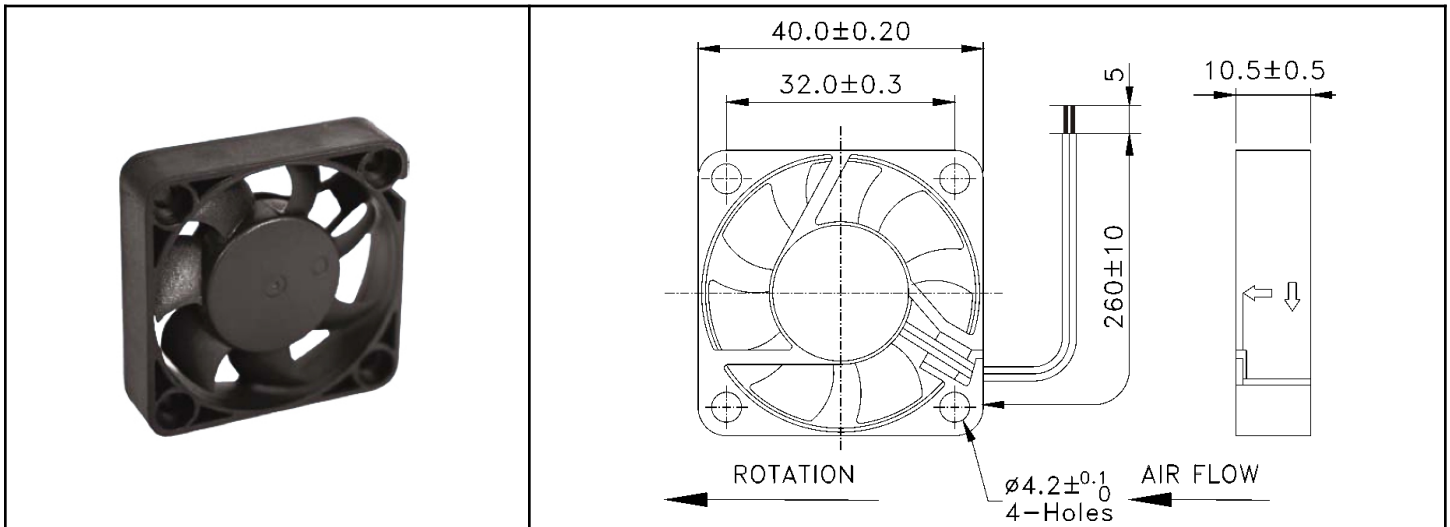


OD4010 Series



DC Fan - 5, 12, 24V
40x10mm (1.58"x 0.39")



Frame & Impeller	PBT, UL94V-O plastic	Available Options: Sleeve Bearing Ball Bearing Tachometer Alarm Thermal control <u>Life Expectancy (L10)</u> >50,000 hrs (40C) <u>Operating Temperature</u> -10 ~ 70C	
Connection	2x Lead wires 26AWG red(+) black (GND)		
Motor	Brushless DC, auto restart, impedance and polarity protected		
Bearing System	Sealed Sleeve		
Insulation Resistance	10M ohm between leadwire and frame (500VDC)		
Dielectric Strength	1 second at 500 VAC, max leakage - 500 MicroAmp		
Storage Temperature	-30C ~ +90C		

Model Number	Speed (RPM)	Airflow (CFM)	Noise (dB)	Volts DC	Voltage Range (VDC)	Amps	Max. Static Pressure ("H2O)
OD4010-05H SS	6000	7	25	5	4 ~ 7	0.19	0.10
OD4010-05MSS	4800	6	20	5	4 ~ 7	0.11	0.08
OD4010-05LSS	4200	5	14	5	4 ~ 7	0.08	0.06
OD4010-12HSS	6000	7	25	12	7 ~ 14	0.10	0.10
OD4010-12MSS	4800	6	20	12	7 ~ 14	0.08	0.08
OD4010-12LSS	4200	5	14	12	7 ~ 14	0.07	0.06
OD4010-24HSS	6000	7	25	24	10 ~ 27	0.09	0.10
OD4010-24MSS	4800	6	20	24	10 ~ 27	0.08	0.08
OD4010-24LSS	4200	5	14	24	10 ~ 27	0.07	0.06

To indicate sleeve bearing replace "SS" suffix with "S" in part number (25,000 hrs life expectancy)

To indicate ball bearing replace "SS" with "B" in part number (60,000 hrs life expectancy)



Mouser Electronics

Authorized Distributor

Click to View Pricing, Inventory, Delivery & Lifecycle Information:

[Orion Fans:](#)

[OD4010-05LS](#) [OD4010-05MS](#)