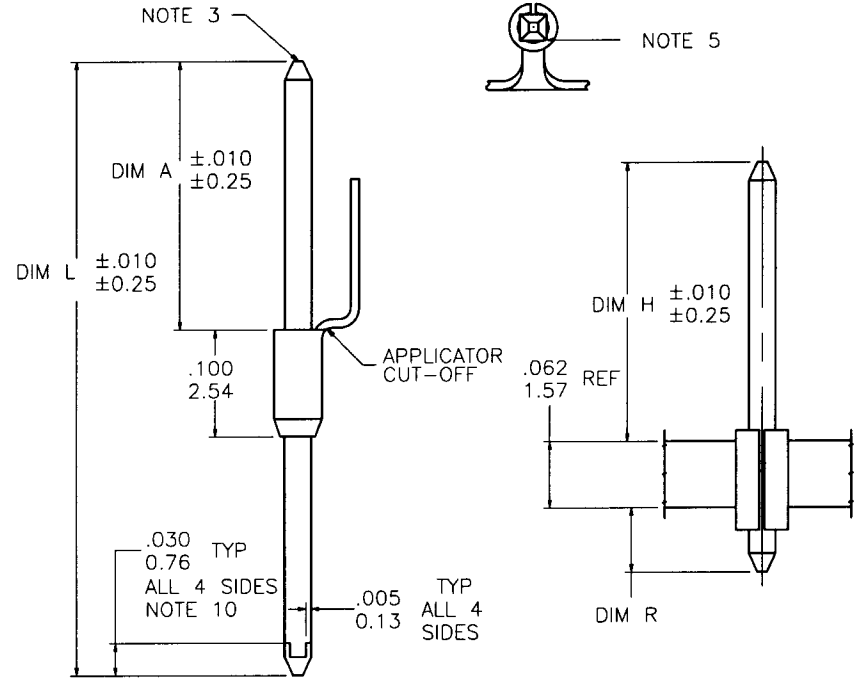
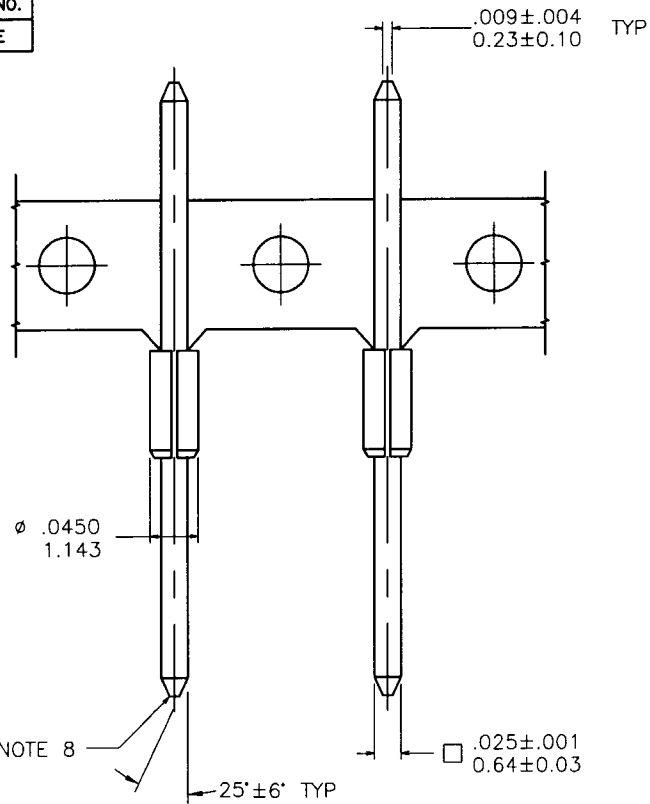


Tous droits strictement réservés. Reproduction ou communication à des tiers interdite sous quelque forme que ce soit sans autorisation écrite du propriétaire. Propriété de c FCI. Droits de reproduction FCI.

All rights strictly reserved. Reproduction or issue to third parties in any form whatever is not permitted without written authority from the proprietor. Property of FCI. Copyright FCI.

PRODUCT NO.
SEE TABLE



NOTES:

- ① MATERIAL: POST 3/4 HARD BRONZE ASTM B-159-66, FERRULE 1/2 HARD CARTRIDGE BRASS ASTM B-36-67.
2. CENTER LINE OF THE TERMINAL MUST BE IN THE TRUE POSITION IN RESPECT TO THE .015/.38 DIA AFTER INSERTION IN PC BOARD.
- ③ BURNISH MARKS ON PINS PERMITTED.
4. TWO SIDES OF LEAD-IN NOT PLATED, TYP. BOTH ENDS.
- ⑤ R .002/.05 MAX TYP ON WIRE WRAP PORTION OF POST.
6. POST TO FERRULE RETENTION 8 LBS MIN BEFORE STAKING.
7. POST IS BONDED TO FERRULE.
- ⑧ FLAT MAY GO TO .016/0.41 MAX WHEN DIM "R" IS UNDER .20/5.1
9. .015/.38 MAX SOLDER PERMISSIBLE ABOVE AND BELOW THE FERRULE ON THE SURFACE OF THE PIN.
- ⑩ SOLDER SPOTS PERMISSIBLE .030/.76 FROM END BELOW FERRULE ONLY.
11. REFER TO BUS-24-001 FOR SUPER TIP DESIGN.

PLATING CODE	PLATING	UNDERPLATING
1	30u"/.76u MIN Au	50u"/1.27u MIN Ni
2	UNASSIGNED	
3	50u"/1.27u MIN Au	50u"/1.27u MIN Ni
4	120u"/3.05u MIN 93/7 SnPb	50u"/1.27u MIN Ni
5	30u"/.76u MIN GXT™	50u"/1.27u MIN Ni
6	15u"/.38u MIN GXT™	50u"/1.27u MIN Ni
7	UNASSIGNED	
8	UNASSIGNED	
9	15u"/.38u MIN Au	50u"/1.27u MIN Ni

mat'l. code NOTE 1		tolerances unless otherwise specified		CUSTOMER COPY		Electronics www.fciconnect.com		
ltr	ecn no	dr	date	linear	.XX ±.01/.X±.3	projection	title	
G	REDRAWN	SR	7/11/89		.XXX ±.005/.XX±.13		BERGPOST®	
H	REDIM	MRC	4/15/91		.XXX ±.0020/.XXX±.051			
J	V22754	JWB	7/15/92	angles	0° ±2'	INCH/MM	product family PIN PRODUCTS	
K	V60743	SAR	6/19/96	dr	S. RAMP	7/11/89	code	
L	V71494	HTB	10/24/97	engr	K. D. PATEL	7/11/89	size	
M	V92858	DLW	8/30/99	chr	K. D. PATEL	7/11/89	dwg no	
				appd	K. D. PATEL	7/11/89	scale	
sheet index		revision	M	M	M	M	A	
		sheet	1	2	3	4	48283	
							cage code	22526

ACAD

PDM: Rev:M


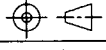
STATUS: Released

Printed: Apr 28, 2005

Tous droits strictement réservés. Reproduction ou communication à des tiers interdite sous quelque forme que ce soit sans autorisation écrite du propriétaire. Propriété de c FCI. Droits de reproduction FCI.

All rights strictly reserved. Reproduction or issue to third parties in any form whatever is not permitted without written authority from the proprietor. Property of FCI. Copyright FCI.

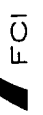
PRODUCT NUMBER	OVERALL LENGTH		CONTACT AREA								CORRESPONDING P/N WITH RETENTION NICKS	PLATING CODE
	DIM L	DIM L	DIM A	DIM A	DIM H	DIM H	DIM R	DIM R				
	ENGLISH	METRIC	ENGLISH	METRIC	ENGLISH	METRIC	ENGLISH	METRIC				
48283-001	0.450	11.43	0.308	7.82	0.328	8.33	0.060	1.52		47310-000	4	
48283-002	0.700	17.78	0.558	14.17	0.578	14.68	0.060	1.52		48124-000	4	
48283-003	0.840	21.34	0.698	17.73	0.718	18.24	0.060	1.52		47312-000	4	
48283-004	0.890	22.61	0.748	19.00	0.768	19.51	0.060	1.52		47313-000	4	
48283-005	1.210	30.73	0.558	14.17	0.578	14.68	0.570	14.48		47314-000	4	
48283-006	1.400	35.56	0.558	14.17	0.578	14.68	0.760	19.30		47315-000	4	
48283-007	1.485	37.72	0.698	17.73	0.718	18.24	0.705	17.91		47316-000	4	
48283-008	0.370	9.40	0.228	5.79	0.248	6.30	0.060	1.52		47317-000	4	
48283-009	0.880	22.35	0.558	14.17	0.578	14.68	0.240	6.10		47318-000	4	
48283-010	1.000	25.40	0.583	14.81	0.603	15.32	0.335	8.51		47319-000	4	
48283-011	0.450	11.43	0.308	7.82	0.358	9.09	0.060	1.52		47330-000 & 48084-000	1	
48283-012	0.700	17.78	0.558	14.17	0.578	14.68	0.060	1.52		48032-000	1	
48283-013	0.840	21.34	0.698	17.73	0.718	18.24	0.060	1.52		47332-000	1	
48283-014			SUPERSEDED BY 48283-059									
48283-015	1.210	30.73	0.558	14.17	0.578	14.68	0.570	14.48		47334-000	1	
48283-016	1.400	35.56	0.558	14.17	0.578	14.68	0.760	19.30		47335-000	1	
48283-017	1.485	37.72	0.698	17.73	0.718	18.24	0.705	17.91		47336-000	1	
48283-018	0.370	9.40	0.228	5.79	0.248	6.30	0.060	1.52		47337-000	1	
48283-019	0.880	22.35	0.558	14.17	0.578	14.68	0.240	6.10		47338-000	1	
48283-020	0.522	13.26	0.380	9.65	0.400	10.16	0.060	1.52		47340-000	3	
48283-021	0.662	16.81	0.520	13.21	0.540	13.72	0.060	1.52		47341-000	3	
48283-022	0.772	19.61	0.380	9.65	0.400	10.16	0.320	8.13		47342-000	3	
48283-023	0.912	23.16	0.520	13.21	0.540	13.72	0.320	8.13		47343-000	3	
48283-024	0.522	13.26	0.380	9.65	0.400	10.16	0.060	1.52		47344-000	4	
48283-025	0.662	16.81	0.520	13.21	0.540	13.72	0.060	1.52		47345-000	4	
48283-026	0.772	19.61	0.380	9.65	0.400	10.16	0.320	8.13		47346-000	4	
48283-027	0.912	23.16	0.520	13.21	0.540	13.72	0.320	8.13		47347-000	4	
48283-028	0.550	13.97	0.228	5.79	0.248	6.30	0.240	6.10		47349-000	3	
48283-029	0.463	11.76	0.323	8.20	0.343	8.71	0.058	1.47		47350-000	3	
48283-030	0.715	18.16	0.573	14.55	0.593	15.06	0.060	1.52		47351-000	3	
48283-031	0.840	21.34	0.698	17.73	0.718	18.24	0.060	1.52		47352-000	3	
48283-032	0.905	22.99	0.763	19.38	0.783	19.89	0.060	1.52		47353-000	3	
48283-033	1.240	31.50	0.573	14.55	0.593	15.06	0.585	14.86		47354-000	3	
48283-034	1.430	36.32	0.573	14.55	0.593	15.06	0.775	19.69		47355-000	3	
48283-035	1.485	37.72	0.698	17.73	0.718	18.24	0.705	17.91		47356-000	3	

mat'l. code				tolerances unless otherwise specified				CUSTOMER COPY		 Electronics www.fciconnect.com	
ltr	ecn no	dr	date	.XX ±.01/.X±.3		projection		title			
M				linear .XXX ±.005/.XX±.13				BERGPOST®			
				.XXX ±.0020/.XXX±.051		INCH/MM		product family PIN PRODUCTS		code	
				angles 0° ±2'		scale		size dwg no		sheet	
				dr	S. RAMP	7/11/89	1:1	A		2 of	
				engr	K. D. PATEL	7/11/89		48283			
				chr	K. D. PATEL	7/11/89					
				appd	K. D. PATEL	7/11/89					
sheet index	revision sheet										

PRODUCT NUMBER	OVERALL LENGTH		CONTACT AREA						CORRESPONDING P/N WITH RETENTION NICKS	PLATING CODE
	DIM L	DIM L	DIM A	DIM A	DIM H	DIM H	DIM R	DIM R		
	ENGLISH	METRIC	ENGLISH	METRIC	ENGLISH	METRIC	ENGLISH	METRIC		
48283-036	0.370	9.40	0.228	5.79	0.248	6.30	0.060	1.52	47357-000	3
48283-037	0.895	22.73	0.573	14.55	0.593	15.06	0.240	6.10	47358-000	3
48283-038	0.590	14.99	0.448	11.38	0.468	11.89	0.060	1.52	47359-000	3
48283-039	0.960	24.38	0.485	12.32	0.505	12.83	0.393	9.98	47600-000	3
48283-040	0.522	13.26	0.380	9.65	0.400	10.16	0.060	1.52	47762-000	3
48283-041	1.000	25.40	0.583	14.81	0.603	15.32	0.335	8.51	47799-000	3
48283-042	0.912	23.16	0.520	13.21	0.540	13.72	0.320	8.13	47800-000	3
48283-043	0.700	17.78	0.558	14.17	0.578	14.68	0.060	1.52	47804-000	3
48283-044	1.010	25.65	0.615	15.62	0.628	15.95	0.320	8.13	47816-000	3
48283-045	0.465	11.81	0.323	8.20	0.343	8.71	0.060	1.52	47824-000	4
48283-046	1.075	27.31	0.583	14.81	0.603	15.32	0.410	10.41	48031-000	1
48283-047	0.732	18.59	0.240	6.10	0.260	6.60	0.410	10.41	48034-000	1
48283-048	1.075	27.31	0.390	9.91	0.410	10.41	0.603	15.32	48033-000	1
48283-049	0.710	18.03	0.380	9.65	0.400	10.16	0.248	6.30	47998-000	3
48283-050	0.450	11.43	0.308	7.82	0.328	8.33	0.060	1.52	48004-000	4
48283-051	1.122	28.50	0.630	16.00	0.650	16.51	0.410	10.41	48035-000	1
48283-052	1.122	28.50	0.390	9.91	0.410	10.41	0.650	16.51	48036-000	1
48283-053	0.772	19.61	0.255	6.48	0.275	6.99	0.435	11.05	48008-000	3
48283-054	0.642	16.31	0.255	6.48	0.275	6.99	0.305	7.75	48009-000	3
48283-055	0.793	20.14	0.651	16.54	0.671	17.04	0.060	1.52	48010-000	1
48283-056	0.640	16.26	0.500	12.70	0.520	13.21	0.058	1.47	48011-000	4
48283-057	0.572	14.53	0.250	6.35	0.270	6.86	0.240	6.10	48019-000	1
48283-058	0.390	9.91	0.250	6.35	0.270	6.86	0.058	1.47	48020-000	1
48283-059	0.892	22.66	0.750	19.05	0.770	19.56	0.060	1.52	48021-000	1
48283-060	0.880	22.35	0.380	9.65	0.400	10.16	0.418	10.62	48022-000	1
48283-061	0.552	14.02	0.280	7.11	0.300	7.62	0.190	4.83	48028-000	1
48283-062	0.478	12.14	0.338	8.59	0.358	9.09	0.058	1.47	48042-000	1
48283-063	0.650	16.51	0.250	6.35	0.270	6.86	0.318	8.08	48087-000	1
48283-064	0.550	13.97	0.228	5.79	0.248	6.30	0.240	6.10	48089-000	4
48283-065	0.960	24.38	0.380	9.65	0.400	10.16	0.498	12.65	48114-000	4
48283-066	1.000	25.40	0.698	17.73	0.718	18.24	0.225	5.72	48122-000	4
48283-067	1.260	32.00	0.755	19.18	0.775	19.69	0.420	10.67	48179-000	1
48283-068	0.368	9.35	0.228	5.79	0.248	6.30	0.058	1.47	48206-000	4
48283-069	0.552	14.02	0.280	7.11	0.300	7.62	0.190	4.83	48267-000	4
48283-070	0.640	16.26	0.500	12.70	0.520	13.21	0.058	1.47	48277-000	1

Tous droits strictement reserves. Reproduction ou communication a des tiers interdite sous quelque forme que ce soit sans autorisation écrite du propriétaire. Propriete de c FCI. Droits de reproduction FCI.

All rights strictly reserved. Reproduction or issue to third parties in any form whatever is not permitted without written authority from the proprietor. Property of FCI. Copyright FCI.



mat'l. code				tolerances unless otherwise specified				CUSTOMER COPY		Electronics www.fciconnect.com		
ltr	ecn no	dr	date	linear	.XX ±.01/.X±.3			projection	title			
M					.XXX ±.005/.XX±.13					BERGPOST®		
				angles	0° ±2°			INCH/MM		product family PIN PRODUCTS		
				dr	S. RAMP	7/11/89	scale		A	48283		code
				engr	K. D. PATEL	7/11/89		1:1		size dwg no		-
				chr	K. D. PATEL	7/11/89				3 of		
				appd	K. D. PATEL	7/11/89						
sheet index	revision sheet											

Tous droits strictement réservés. Reproduction ou communication à des tiers interdite sous quelque forme que ce soit sans autorisation écrite du propriétaire. Propriété de c FCI. Droits de reproduction FCI.



All rights strictly reserved. Reproduction or issue to third parties in any form whatever is not permitted without written authority from the proprietor. Property of FCI. Copyright FCI.

PRODUCT NUMBER	OVERALL LENGTH		CONTACT AREA				CORRESPONDING		PLATING CODE	
	DIM L	DIM L	DIM A	DIM A	DIM H	DIM H	DIM R	DIM R		
	ENGLISH	METRIC	ENGLISH	METRIC	ENGLISH	METRIC	ENGLISH	METRIC		
48283-071	0.895	22.73	0.573	14.55	0.593	15.06	0.240	6.10	48081-000	4
48283-072	0.920	23.37	0.400	10.16	0.420	10.67	0.410	10.41	48217-000	1
48283-073	0.700	17.78	0.630	16.00	0.650	16.51	0.058	1.47	48218-000	1
48283-074	1.075	27.31	0.583	14.81	0.603	15.32	0.410	10.41	48219-000	9
48283-075	0.700	17.78	0.558	14.17	0.578	14.68	0.060	1.52	48220-000	9
48283-076	1.075	27.31	0.390	9.91	0.410	10.41	0.603	15.32	48221-000	9
48283-077	0.732	18.59	0.240	6.10	0.260	6.60	0.410	10.41	48222-000	9
48283-078	1.122	28.50	0.630	16.00	0.650	16.51	0.410	10.41	48223-000	9
48283-079	1.122	28.50	0.390	9.91	0.410	10.41	0.650	16.51	48224-000	9
48283-080	0.450	11.43	0.308	7.82	0.328	8.33	0.060	1.52	48225-000	9
48283-081	0.892	22.66	0.400	10.16	0.420	10.67	0.410	10.41	48226-000	9
48283-082	0.770	19.56	0.630	16.00	0.650	16.51	0.058	1.47	48227-000	9
48283-083	1.122	28.50	0.630	16.00	0.650	16.51	0.410	10.41	48228-000	4
48283-084	1.122	28.50	0.630	16.00	0.650	16.51	0.410	10.41	48265-000	3
48283-085	0.895	22.73	0.573	14.55	0.593	15.06	0.240	6.10	48278-000	9
48283-086	0.662	16.81	0.345	8.76	0.355	9.02	0.245	6.22	48312-000	3
48283-087	0.463	11.76	0.323	8.20	0.343	8.71	0.058	1.47	47350-000	1

mat'l. code				tolerances unless otherwise specified				CUSTOMER COPY		Electronics www.fciconnect.com	
ltr	ecn no	dr	date	linear	.XX ±.01/.X±.3			projection	title		
M					.XXX ±.005/.XX±.13				BERGPOST®		
					.xxx ±.0020/.xxx±.051						
				angles	0° ±2'			 INCH/MM scale 1:1	product family PIN PRODUCTS		code
				dr	T. BREWBAKER	10/24/97	size dwg no		—		
				enr	L. FYE	10/24/97	A 48283		sheet		
				chr	L. FYE	10/24/97			4 of		
				appd	L. FYE	10/24/97					
sheet index	revision sheet							cage code		4	

22526