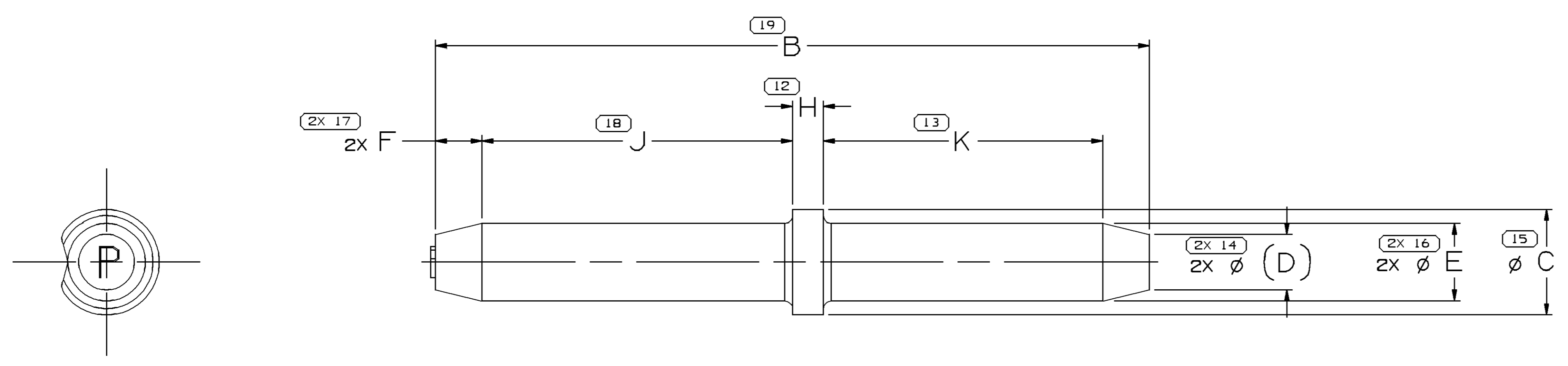
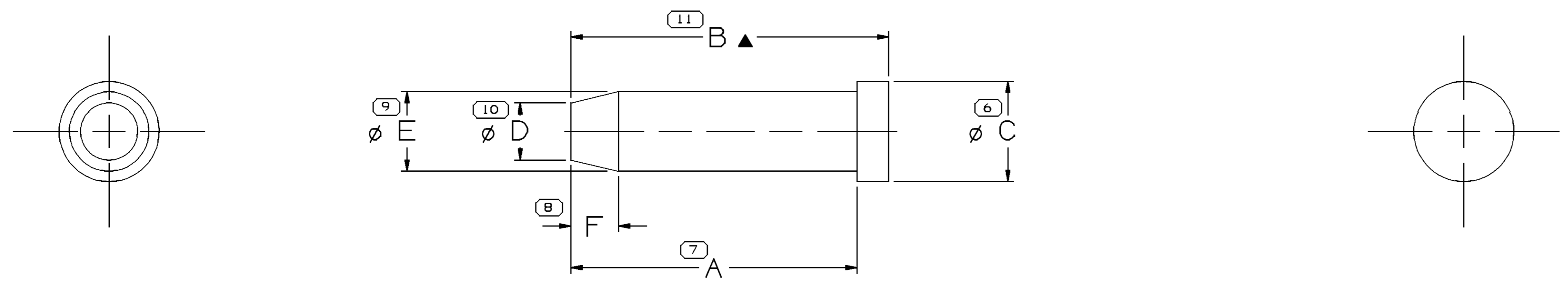
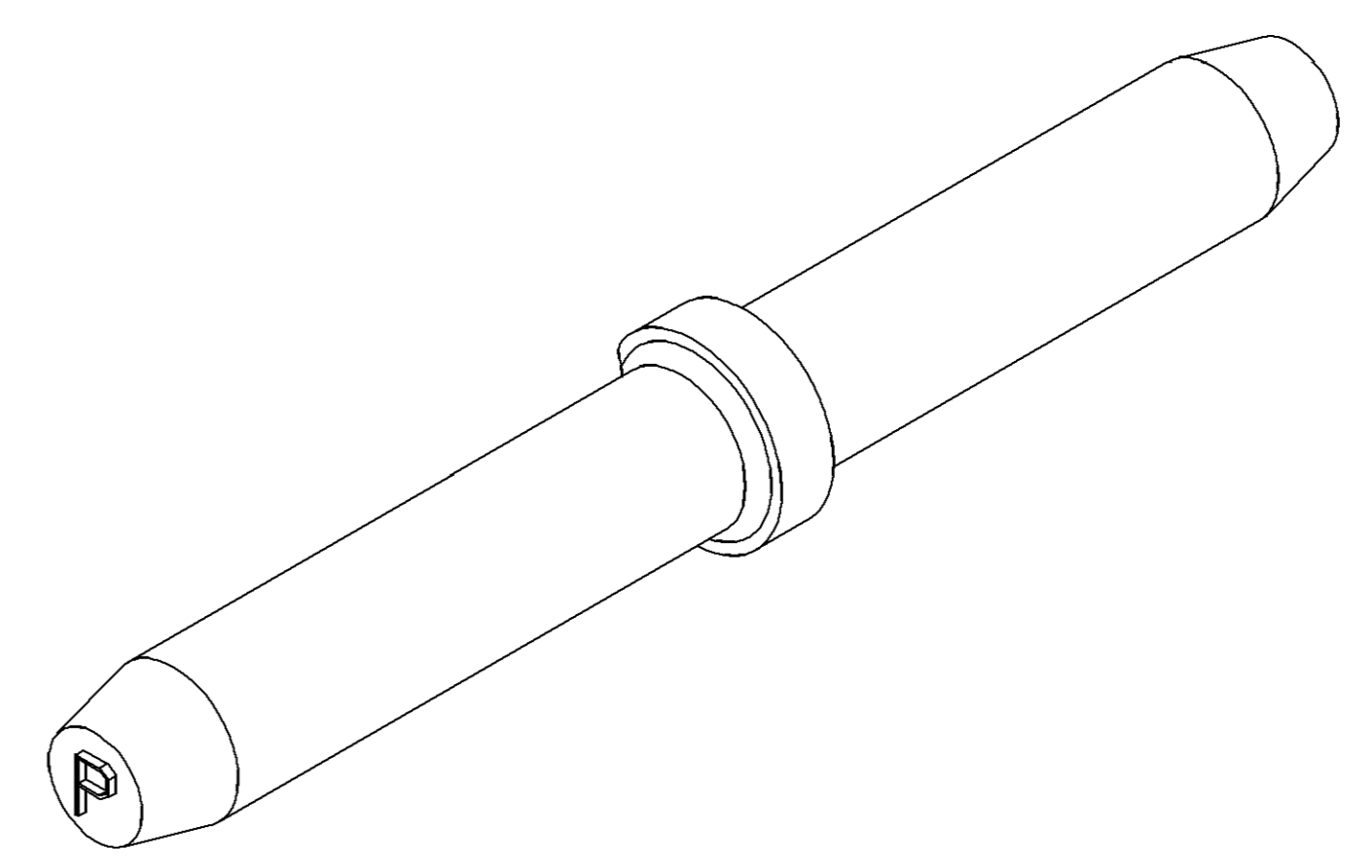


SYMBOL DEFINITION		TOTAL NO OF INSPECTIONS REQUIRED	22
A DIMENSION WITHOUT AN INSPECTION REPORT SYMBOL DOES NOT REQUIRE INSPECTION. IT MAY BE CONTROLLED ON THE INDIVIDUAL COMPONENT DRAWING.		LAST NO. USED	19

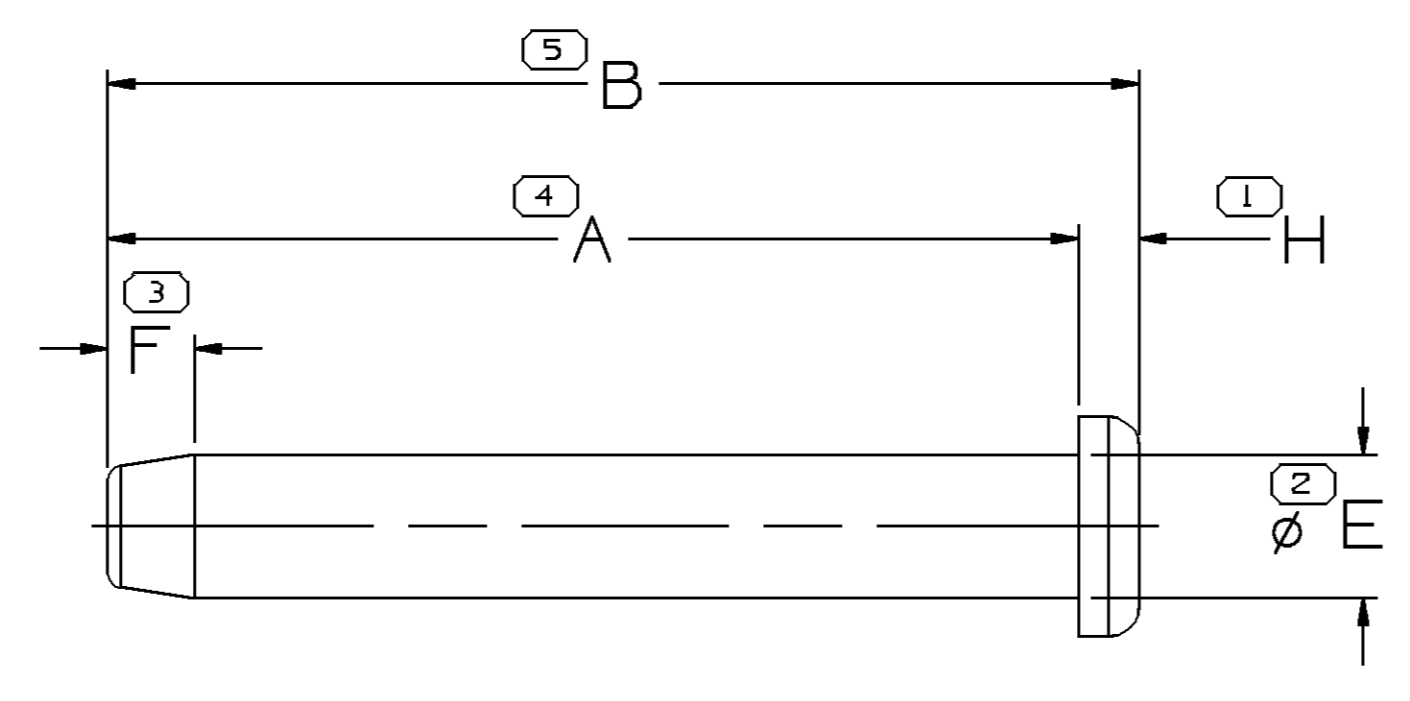
MISSING SYMBOLS		NO MISSING SYMBOL NUMBER	
DATE	STG	REV	N/P
20AU03	R	01	-
15FE05	R	02	-
20JN05	R	03	-
26AU05	R	04	-
30SE05	R	05	-
27FE06	R	06	-
08MY07	R	07	-



TYPE 101  
ALL METRI-PACK PULL TO SEAT  
-HAND INSERTION ONLY-



TYPE 102  
ALL METRI-PACK PULL TO SEAT  
-MACHINE INSERTION ONLY-



TYPE 103  
ALL MICRO-PACK 100W  
-HAND INSERTION ONLY-

OPTIONAL CONSTRUCTION

- NOTES
- UNLESS OTHERWISE SPECIFIED AND/OR INDICATED:  
DIMENSIONS ARE TO FACE OF VIEW SHOWN AND AUTOMATICALLY ROUNDED BY COMPUTER FOR INSPECTION (SEE MATH MODEL FOR PRECISE DIMENSIONS). FOR ALL OTHER DIMENSIONS NOT SHOWN BUT REQUIRED FOR TOOL BUILD, SEE MATH MODEL FOR PRECISE TOOL PATH DATA.
  - THIS PART IS CONTROLLED FOR AUTOMATIC FEEDING AS DENOTED ON DRAWING WITH ▲.
  - REFERENCE MATING COMPONENTS OR EQUIVALENT:  
SEAL SEE CHART

PART NO	REV	N/P	STATUS	MATERIAL SPECIFICATION AND COLOR	TYPE	A	B	∅C	∅(D)	∅E ± 0.1	F	G <sub>MAX</sub>	H	J	K	MATING SEAL	CABLE RANGE	VOLUME
13544665	01	AA	-	POLYBUTYLENE TEREPHTHALATE-BLU LT	103	12.85	13.65	2.9+/-0.1	-	1.9+/-0.15	1.15	9	0.8	-	-	12146093	1.47/2.12	0.040
15318164	A1	-	-	POLYAMIDE - BLUE	103	12.85	13.65	2.5+0.0/-0.1	-	1.9+/-0.1	1.15	9	0.8	-	-	15355191	1.47/1.83	-
12129557	D8	-	-	POLYAMIDE - BLUE	103	12.85	13.65	2.9+/-0.1	-	1.9+/-0.15	1.15	9	0.8	-	-	12146093	1.47/2.12	0.040
12110732	A	-	OBSOLETE	POLYAMIDE - RED	102	9	10▲	3.15▲	2.2	2.9	1.5+0.2/-0.15	1.5	-	-	-	12034364	2.5/3.3	-
12065266	C10	-	-	POLYAMIDE - GRAY MD	102	9	10▲	3.15▲	1.8	2.5	1.5+/-0.3	1.5	-	-	-	12064810	2/2.4	0.050
12034413	C10	-	-	POLYAMIDE - BLACK	101	-	23+/-0.3	3.4+/-0.2	1.8	2.5	1.5+/-0.3	1.25	1	10	9	12064810	2/4	0.113

DIMENSIONAL RANGE (MM)	TOLERANCE
FROM > 0	> 20
TO 20	± 0.2
> 20	± 0.3
> 30	± 0.4
> 50	± 0.5
> 75	± 0.6
> 100	± 0.8
> 150	± 1.0
> 200	± 1.2
> 250	± 1.5
> 300	± 1.8
> 400	± 2.0

DWG TYPE	PART DRAWING
STYLE	
VOLUME (10/1)	DISTR CODE
UNLESS OTHERWISE SPECIFIED	
THIS DOCUMENT IS IN ACCORDANCE WITH ASME Y14.5M-1994 AS MODIFIED BY THE IN-SITU DIMENSIONING AND TOLERANCING ADDENDUM-2003. SEPARATE WRITINGS OF FEATURES MAY BE BASED SEPARATELY REGARDLESS OF DIMENSION REFERENCES.	
ALL DIMENSIONS ARE IN MILLIMETERS	
THIRD ANGLE PROJECTION	
DO NOT SCALE	
USE MATH DATA	

**DELPHI**  
DELPHI PACKARD ELECTRICAL/ELECTRONIC ARCHITECTURE  
WYOMING, OH

DR	DATE
APV01 J.GAVALDON	20AU03
APV02 J.GAVALDON	20AU03
APV03 G.ORANTES	22AU03
APV04	

SUBSTANCES OF CONCERN AND RECYCLED CONTENT PER DELPHI 10949001

MATERIALS SEE CHART

DRAWING NAME  
TAXI SEAL CBL 1W HOLE PLUG

DRAWING NUMBER  
**12110800**

SIZE AD 10:1 SCALE 1 OF 1 FRAME NO 1 OF 1 SHEET NO 1 OF 1 REV N/P R 07

# Mouser Electronics

Authorized Distributor

Click to View Pricing, Inventory, Delivery & Lifecycle Information:

[Delphi Connection Systems:](#)

[12129557](#) [12034413-B](#)