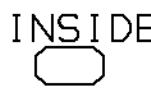
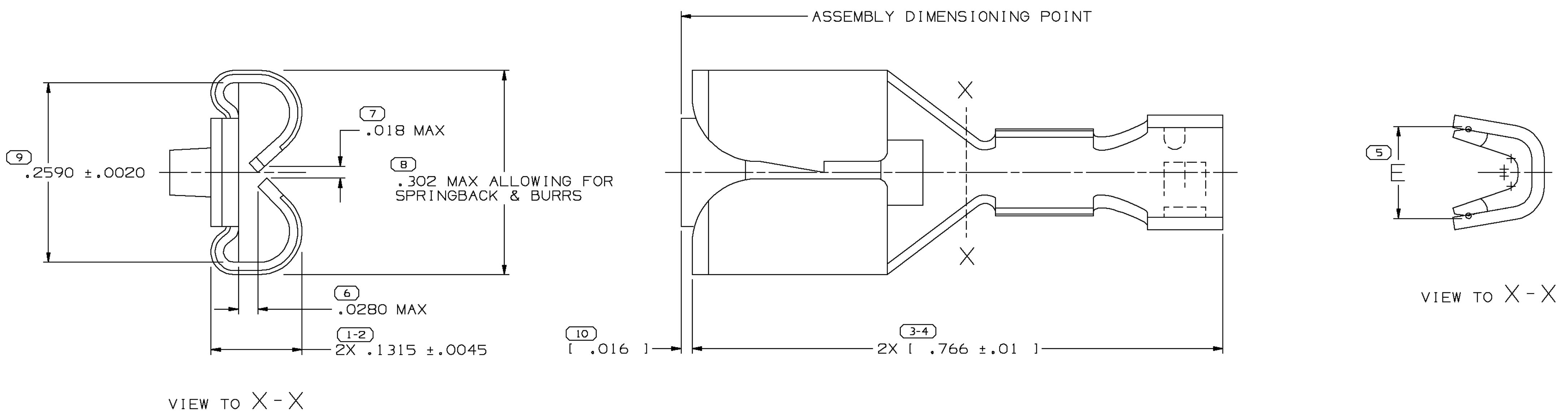


DELPHI PACKARD ELECTRIC SYSTEMS
WARREN, OHIO 44486

SYMBOL DEFINITION		MISSING NUMBERS	
THE NUMBER INSIDE THE SYMBOL  CORRESPONDS TO THE NUMBER ON THE INSPECTION REPORT FOR THIS DRAWING/PART NUMBER	TOTAL NO. OF SYMBOLS ON DRAWING	8	
	LAST NO. USED	10	

DWG STATUS				ZONE	REVISION HISTORY			AUTH	DR	CK	APVD	
DATE	STG	REV	CHG		N/P							
30MY00	R	001	-	-		ALL PARTS - REDRAWN TO PART DRAWING			000009	JTC	GG1	J5
30MY00	R	002	-	-		15393404 - RELEASED			000005	JTC	GG1	J5



- NOTES
- UNLESS OTHERWISE SPECIFIED AND/OR INDICATED: DIMENSIONS ARE TO FACE OF VIEW SHOWN AND AUTOMATICALLY ROUNDED BY COMPUTER FOR INSPECTION (SEE MATH MODEL FOR PRECISE DIMENSIONS). FOR ALL OTHER DIMENSIONS NOT SHOWN BUT REQUIRED FOR TOOL BUILD, SEE MATH MODEL FOR PRECISE TOOL PATH DATA.
 - DIMENSIONS ENCLOSED IN [] INDICATE "AFTER COIN"

PART NO	STG	REV	N/P	STATUS	MAT'L	SIZE	MAT'L SPEC	PART NO	STG	REV	N/P	STATUS	MAT'L SPEC	PART NO	STG	REV	N/P	STATUS	MAT'L SPEC	TYPE	SIZE (MM ²)	DIA (MM)	E ± .015
12052626	R	D1		OBSOLETE	.0180 X .969	S-1536050	15393404	R	001				P-1536050								3	3.65-3.49	.185
12052392	R	D1		OBSOLETE	.0180 X .969	S-1536050															TWO 0.35	1.63-1.47	.145 ± .008
12052391	R	D1		OBSOLETE	.0180 X .969	S-1536050															0.35	1.63-1.47	.090 ± .008
12052390	R	D1		OBSOLETE	.0180 X .969	S-1536050															TWO 0.35	1.63-1.47	.145 ± .008
02989515	R	X1		OBSOLETE	.0180 X .969	S-1536050															0.35	1.63-1.47	.090 ± .008
02965580	R	X2			.0180 X .969	S-1536050	06288320	R	X1			OBSOLETE	P-1536050								3	3.65-3.49	.185
02965483	R	X2			.0180 X .969	S-1536050															TWO 0.8-0.5	2.51-2.03	.150
02965482	R	X2			.0180 X .969	S-1536050	06288353	R	X1			OBSOLETE	P-1536050								TWO 0.8-0.5	2.51-2.03	.150
02965474	R	X1		OBSOLETE	.0180 X .969	S-1536050															TWO 2-1	3.10-2.48	.200
02965473	R	X2			.0180 X .969	S-1536050	15324421	R	A2				P-1536050								2-1	3.10-2.48	.145
02965472	R	X2			.0180 X .969	S-1536050	06288319	R	X2				P-1536050								0.8-0.5	2.51-2.03	.125
02965471	R	X2			.0180 X .969	S-1536050	12010601	R	X2				P-1536050								TWO 2-1	3.10-2.48	.200
02965470	R	X2			.0180 X .969	S-1536050	06288218	R	X2				P-1536050	02989604	R	X1		OBSOLETE	V-1536050		2-1	3.10-2.48	.145
02965469	R	X2			.0180 X .969	S-1536050	06288318	R	X2				P-1536050	02989939	R	X1		OBSOLETE	V-1536050		0.8-0.5	2.51-2.03	.125

DELPHI
Automotive Systems

MATERIAL SPEC: 6900 SEE CHART

DIMENSIONAL RANGE (IN)
FROM 0 TO .500 > .500
TOLERANCE UNLESS OTHERWISE SPECIFIED ± .005 ± .010
ANGULAR TOLERANCE ± 2°

PART DRAWING

CODE NUMBER: 6900 DWG DATE: 11DES8 SCALE: 10:1
OC SPEC: STYLE VOLUME cm³

PART GEOMETRY: 2D PLANAR

UNLESS OTHERWISE SPECIFIED:
PERFECT FORM REQUIRED FOR FEATURES OF SIZE AT MMC. TRUE POSITION TOLERANCES AND RELATED DATUMS APPLY AT CONDITION OF SIZE INDICATED IN FEATURE CONTROL FRAME. ALL OTHER GEOMETRIC TOLERANCES AND RELATED DATUMS APPLY RFS. SEPARATE TRUE POSITION CALLOUTS MAY BE GAGED SEPARATELY, REGARDLESS OF DATUM REFERENCE.

UG CHANGE RESTRICTED NO MANUAL CHANGES

COPY OF MATH DATA DO NOT SCALE

REFERENCE: 001,701

ENGLISH UNLESS OTHERWISE SPECIFIED, ALL DIMENSIONS ARE IN INCHES

THIRD ANGLE PROJECTION

DRAWING NAME: TAXI TERMINAL FEMALE 58 SERIES

SHEET NUMBER: 1 OF 1 DRAWING NUMBER: 02962878

DWG STATUS: R 002 SIZE: A1