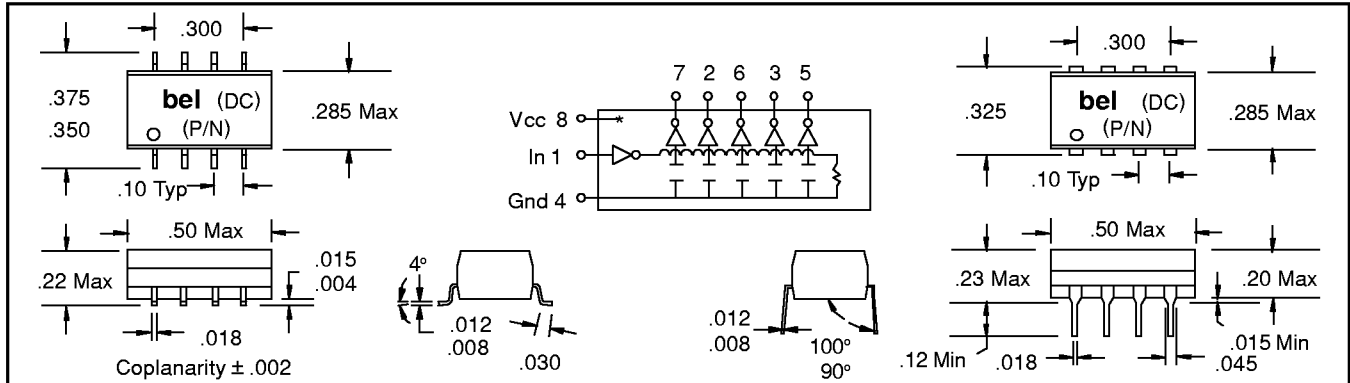




defining a degree of excellence

# 5 TAP LEADING EDGE CONTROL LOW VOLTAGE DELAY MODULES

Cat 36-R0



### Part Numbers

SMD	Thru-Hole	Total Delay	Delay per Tap	Rise Time
S473-0025-02	A473-0025-02	25 ns	5 ns	3 ns
S473-0030-02	A473-0030-02	30 ns	6 ns	3 ns
S473-0035-02	A473-0035-02	35 ns	7 ns	3 ns
S473-0040-02	A473-0040-02	40 ns	8 ns	3 ns
S473-0045-02	A473-0045-02	45 ns	9 ns	3 ns
S473-0050-02	A473-0050-02	50 ns	10 ns	3 ns
S473-0060-02	A473-0060-02	60 ns	12 ns	3 ns
S473-0070-02	A473-0070-02	70 ns	14 ns	3 ns
S473-0080-02	A473-0080-02	80 ns	16 ns	3 ns
S473-0090-02	A473-0090-02	90 ns	18 ns	3 ns
S473-0100-02	A473-0100-02	100 ns	20 ns	3 ns
S473-0125-02	A473-0125-02	125 ns	25 ns	3 ns
S473-0150-02	A473-0150-02	150 ns	30 ns	3 ns

### Test Conditions @ 25°C

Ein	Pulse Voltage	3.0 Volts
Trin	Rise Time	3.0 ns (10%-90%)
PW	Pulse Width	1.2 x Total Delay
FP	Pulse Period	4 x Pulse Width
Iccl	Supply Current	25 ma Typical
Vcc	Supply Voltage	3.3 Volts

### Electrical Characteristics

	Min.	Max.	Units
Vcc	3.0	3.6	V
Vih	2.4		V
Vil		0.8	V
Iik		-20	ma
Ioh		20	ma
Iol		-20	ma
Voh	2.9		V
Vol		0.1	V
Vik		-0.5	V
Iih		1	ua
Iil		-1	ua
Icch		10	ma
Iccl		30	ma
Ta	0°	70°	C
PW	40		%
d		50	%
Tc	Temp. Coeff. of Total Delay (TD) 100 + (25000/TD) PPM/°C		

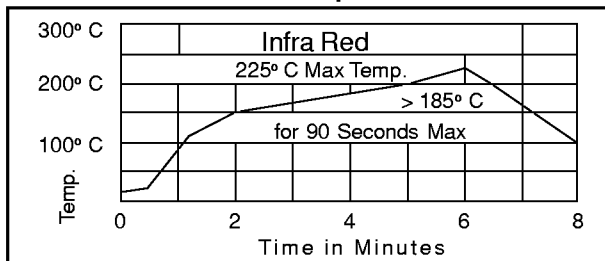
### Tolerances

Input to Taps  $\pm 2$  ns or 5% , Whichever is Greater  
 Tap to Tap  $\pm 2$  ns or 7% , Whichever is Greater  
 Delays measured @ 50% levels on Leading Edge only  
 with no loads on Taps  
 Rise and Fall Times measured from 10% to 90% levels

### Drive Capabilities

Nh	Logic 1 Fanout	-	10 LSTTL Loads Max.
Nl	Logic 0 Fanout	-	10 LSTTL Loads Max.

### Recommended Temperature Profile



### Notes

Transfer molded for better reliability  
 Compatible with TTL & CMOS circuits  
 Terminals: Electro-Tin plate phosphor bronze  
 Performance warranty is limited to specified parameters listed  
 SMD - Tape & Reel available:  
 24mm Wide x 12mm Pitch, 750 pieces per 13" reel

## Other Delays and Tolerances Available Consult Sales

Specifications subject to change without notice.

#### Corporate Office

**Bel Fuse Inc.**  
 198 Van Vorst Street, Jersey City, NJ 07302-4496  
 Tel: 201-432-0463  
 Fax: 201-432-9542  
 E-Mail: Belfuse@compuserve.com  
 Internet: http://www.belfuse.com

#### Far East Office

**Bel Fuse Ltd.**  
 8F/8 Luk Hop Street  
 San Po Kong  
 Kowloon, Hong Kong  
 Tel: 852-2328-5515  
 Fax: 852-2352-3706

#### European Office

**Bel Fuse Europe Ltd.**  
 Preston Technology Management Centre  
 Marsh Lane, Preston PR1 8UD  
 Lancashire, U.K.  
 Tel: 44-1772-556601  
 Fax: 44-1772-888366