

Number of contacts

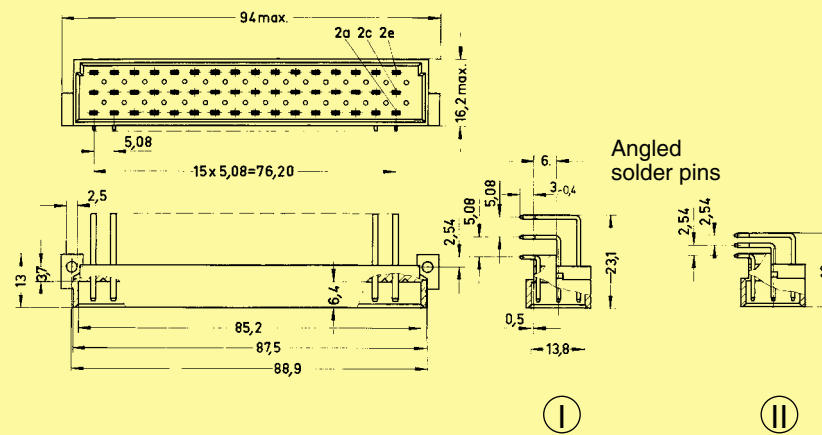
48



Male connectors

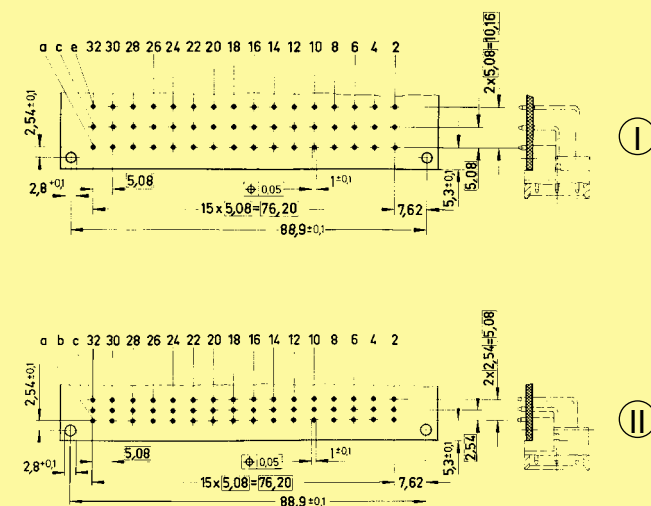
Identification	Number of contacts	Contact arrangement	Part No.	Performance levels according to IEC 60603-2. Explanation chapter 00
			3	2 1
Male connector with angled solder pins Row separation termination side 5.08 mm (I)	48		09 05 148 7921	09 05 148 6921 09 05 348 6921 ^{b)} 09 05 648 6921 ^{c)}
	46 + 2 [▲]			09 05 148 6951
	48		09 05 148 7931	09 05 148 6931
	46 + 2 [▲]			09 05 148 6961

Dimensions



Board drillings

Mounting side



Dimensions in mm

▲ Male connectors with 2 leading contacts [(0.8 mm) pos. a2 and a32]

Other contact arrangements on request

^{b)} Connectors with snap-in clips see chapter 00

^{c)} Connectors with coding see page 02.42