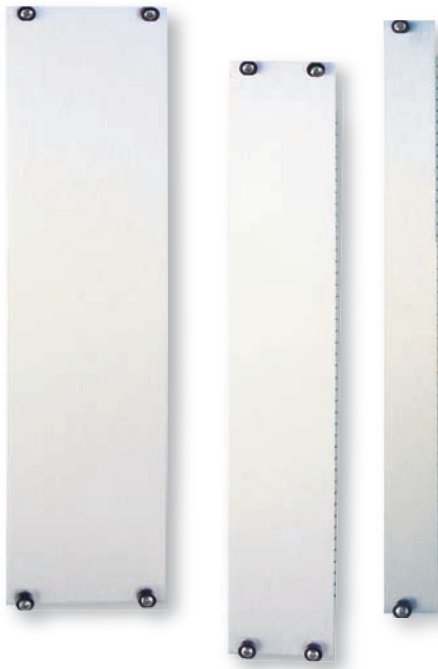


## EMC Gasketed Filler Panels

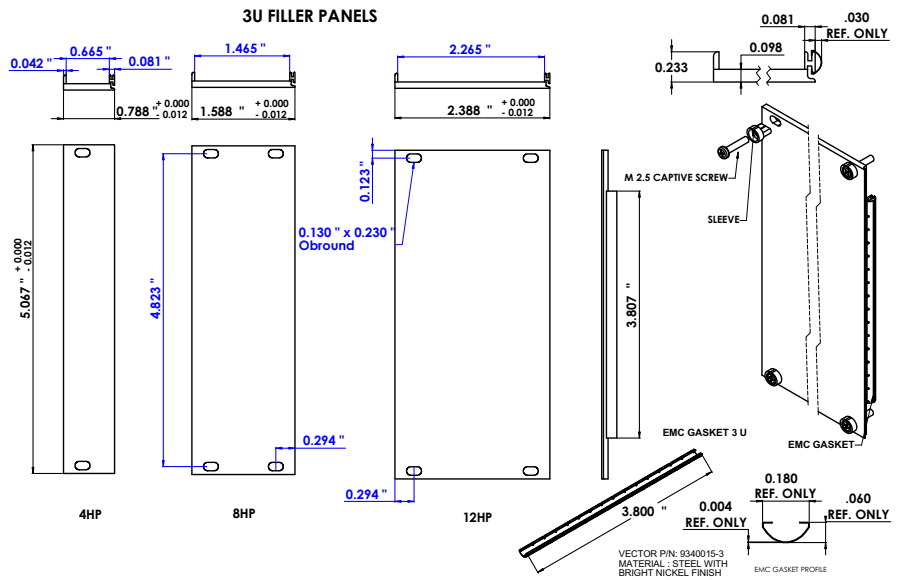
### EMC Filler Panels/ Blank-off Plates

#### Features

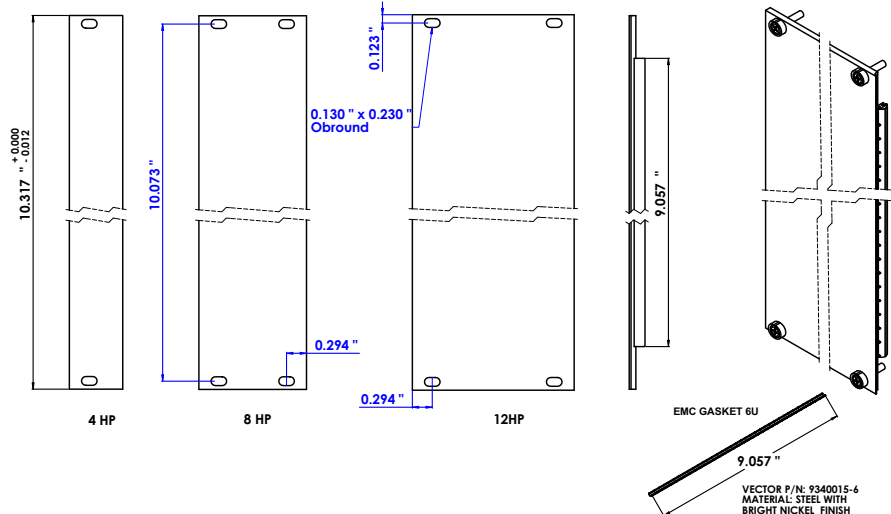
- Covers unused slots
- Improves air flow
- Prevents EMI leakage
- Mounting hardware included



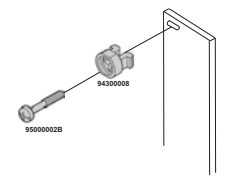
### Filler Panel Profiles - 4,8 or 12 HP Widths



### 6U FILLER PANELS



DIN Sub racks



Captive sleeves/screws are included with all VectorPak™ filler panels and also sold separately in a hardware kit:

P/N HD99	
Includes	Qty
Black plastic sleeve	48
M2.5 x 11 mm, nickel plated steel screw	48

Typical slot width is 0.800" (4HP)  
 Material: 6063T5, extruded brushed Aluminum with clear Chem-Film finish

Each Filler Panel Kit Includes  
 4,8 or 12HP EMC panel with EMC gasket  
 M2.5 Nickel plated mounting screws with 'captive' sleeves

U	Part Number 4HP	Part Number 8HP	Part Number 12HP
3	FP52A4HP	FP52A8HP	FP52A12HP
6	FP10A4HP	FP10A8HP	FP10A12HP
9	FP15A4HP	FP15A8HP	FP15A12HP

