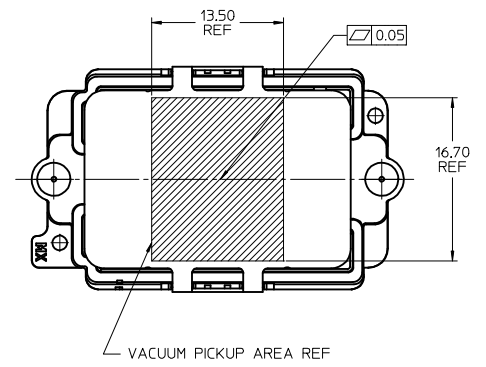




TIN / LEAD PARTS  
LEAD CODE = "0"

10	9		8		7		6		5		4		3	2	1					
STACK HEIGHT:	8mm		9mm		10mm		11mm		12mm		13mm		14mm		15mm		17mm		18mm	
DIM B	10.41		11.41		12.41		13.41		14.41		15.41		16.41		17.41		19.41		20.41	
DIM C	8.80		9.80		10.80		11.80		12.80		13.80		14.80		15.80		17.80		18.80	
ROWS	DIM A	DIM D	MATERIAL NO	MATERIAL NO	MATERIAL NO	MATERIAL NO	MATERIAL NO	MATERIAL NO	MATERIAL NO	MATERIAL NO	MATERIAL NO	MATERIAL NO	MATERIAL NO	MATERIAL NO	MATERIAL NO	MATERIAL NO	MATERIAL NO	MATERIAL NO	MATERIAL NO	MATERIAL NO
7	12.00	30.06	45830-0007	45830-3007	45830-2007	45830-8007	45830-4007	45830-9007	45830-6007	45830-7007	45830-5007	45830-1007								
9	16.00	34.06	45830-0009	45830-3009	45830-2009	45830-8009	45830-4009	45830-9009	45830-6009	45830-7009	45830-5009	45830-1009								
11	20.00	38.06	45830-0011	45830-3011	45830-2011	45830-8011	45830-4011	45830-9011	45830-6011	45830-7011	45830-5011	45830-1111								
13	24.00	42.06	45830-0013	45830-3013	45830-2013	45830-8013	45830-4013	45830-9013	45830-6013	45830-7013	45830-5013	45830-1013								
15	28.00	46.06	45830-0015	45830-3015	45830-2015	45830-8015	45830-4015	45830-9015	45830-6015	45830-7015	45830-5015	45830-1015								
17	32.00	50.06	45830-0017	45830-3017	45830-2017	45830-8017	45830-4017	45830-9017	45830-6017	45830-7017	45830-5017	45830-1017								
19	36.00	54.06	45830-0019	45830-3019	45830-2019	45830-8019	45830-4019	45830-9019	45830-6019	45830-7019	45830-5019	45830-1019								
21	40.00	58.06	45830-0021	45830-3021	45830-2021	45830-8021	45830-4021	45830-9021	45830-6021	45830-7021	45830-5021	45830-1021								
23	44.00	62.06	45830-0023	45830-3023	45830-2023	45830-8023	45830-4023	45830-9023	45830-6023	45830-7023	45830-5023	45830-1023								
25	48.00	66.06	45830-0025	45830-3025	45830-2025	45830-8025	45830-4025	45830-9025	45830-6025	45830-7025	45830-5025	45830-1025								
27	52.00	70.06	45830-0027	45830-3027	45830-2027	45830-8027	45830-4027	45830-9027	45830-6027	45830-7027	45830-5027	45830-1027								



TIN PARTS  
LEAD CODE = "2"

10	9		8		7		6		5		4		3	2	1					
STACK HEIGHT:	8mm		9mm		10mm		11mm		12mm		13mm		14mm		15mm		17mm		18mm	
DIM B	10.41		11.41		12.41		13.41		14.41		15.41		16.41		17.41		19.41		20.41	
DIM C	8.80		9.80		10.80		11.80		12.80		13.80		14.80		15.80		17.80		18.80	
ROWS	DIM A	DIM D	MATERIAL NO	MATERIAL NO	MATERIAL NO	MATERIAL NO	MATERIAL NO	MATERIAL NO	MATERIAL NO	MATERIAL NO	MATERIAL NO	MATERIAL NO	MATERIAL NO	MATERIAL NO	MATERIAL NO	MATERIAL NO	MATERIAL NO	MATERIAL NO	MATERIAL NO	MATERIAL NO
7	12.00	30.06	45830-0207	45830-3207	45830-2207	45830-8207	45830-4207	45830-9207	45830-6207	45830-7207	45830-5207	45830-1207								
9	16.00	34.06	45830-0209	45830-3209	45830-2209	45830-8209	45830-4209	45830-9209	45830-6209	45830-7209	45830-5209	45830-1209								
11	20.00	38.06	45830-0211	45830-3211	45830-2211	45830-8211	45830-4211	45830-9211	45830-6211	45830-7211	45830-5211	45830-1211								
13	24.00	42.06	45830-0213	45830-3213	45830-2213	45830-8213	45830-4213	45830-9213	45830-6213	45830-7213	45830-5213	45830-1213								
15	28.00	46.06	45830-0215	45830-3215	45830-2215	45830-8215	45830-4215	45830-9215	45830-6215	45830-7215	45830-5215	45830-1215								
17	32.00	50.06	45830-0217	45830-3217	45830-2217	45830-8217	45830-4217	45830-9217	45830-6217	45830-7217	45830-5217	45830-1217								
19	36.00	54.06	45830-0219	45830-3219	45830-2219	45830-8219	45830-4219	45830-9219	45830-6219	45830-7219	45830-5219	45830-1219								
21	40.00	58.06	45830-0221	45830-3221	45830-2221	45830-8221	45830-4221	45830-9221	45830-6221	45830-7221	45830-5221	45830-1221								
23	44.00	62.06	45830-0223	45830-3223	45830-2223	45830-8223	45830-4223	45830-9223	45830-6223	45830-7223	45830-5223	45830-1223								
25	48.00	66.06	45830-0225	45830-3225	45830-2225	45830-8225	45830-4225	45830-9225	45830-6225	45830-7225	45830-5225	45830-1225								
27	52.00	70.06	45830-0227	45830-3227	45830-2227	45830-8227	45830-4227	45830-9227	45830-6227	45830-7227	45830-5227	45830-1227								

ALL PARTS ON THIS SHEET ARE  
PACKED IN STANDARD MOLEX TRAYS  
PER PK-48030-001

NOTE:  
1. SOLDER CHARGE COMPOSITION  
TIN/LEAD: Sn 63/Pb 37  
TIN: Sn 95.5/ Ag 3.8/ Cu 0.7

SEE SHEET 1 EC NO: UCP2013-3872 DRW: TIBARRA 2013/03/12 CHK: BBARKER 2013/03/12 APPR: SMILLER 2013/03/19	QUALITY SYMBOLS	GENERAL TOLERANCES (UNLESS SPECIFIED)	DIMENSION STYLE	SCALE	DESIGN UNITS	THIRD ANGLE PROJECTION
	$\nabla F=0$ $\nabla E=0$ $\nabla D=0$	mm INCH 4 PLACES ± --- ± --- 3 PLACES ± 0.05 ± --- 2 PLACES ± 0.15 ± --- 1 PLACE ± 0.3 ± --- 0 PLACE ± ±	MM ONLY	2:1	METRIC	
	DESCRIPTION	ANGULAR ± 1/2° DRAFT WHERE APPLICABLE MUST REMAIN WITHIN DIMENSIONS	DRAWN BY DATE	TITLE	HDMEZZ PLUG ASSEMBLY WITH LONG GUIDE PINS	
	REV		TGREGORI 2010/09/09			
		APPROVED BY DATE	SEE TABLE		SD-45830-0001	
		JCOMERCI 2010/10/07				
		MATERIAL NO.	DOCUMENT NO.		SHEET NO.	
		SIZE B	THIS DRAWING CONTAINS INFORMATION THAT IS PROPRIETARY TO MOLEX INCORPORATED AND SHOULD NOT BE USED WITHOUT WRITTEN PERMISSION		2 OF 3	

10 9 8 7 6 5 4 3 2 1

TIN / LEAD PARTS  
LEAD CODE = "0"

STACK HEIGHT:			8mm	9mm	10mm	11mm	12mm	13mm	14mm	15mm	17mm	18mm
DIM B			10.41	11.41	12.41	13.41	14.41	15.41	16.41	17.41	19.41	20.41
DIM C			8.80	9.80	10.80	11.80	12.80	13.80	14.80	15.80	17.80	18.80
ROWS	DIM A	DIM D	MATERIAL NO	MATERIAL NO	MATERIAL NO	MATERIAL NO	MATERIAL NO	MATERIAL NO	MATERIAL NO	MATERIAL NO	MATERIAL NO	MATERIAL NO
7	12.00	30.06	45830-0089	45830-3089	45830-2089	45830-8089	45830-4089	45830-9089	45830-6089	45830-7089	45830-5089	45830-1089
9	16.00	34.06	45830-0090	45830-3090	45830-2090	45830-8090	45830-4090	45830-9090	45830-6090	45830-7090	45830-5090	45830-1090
11	20.00	38.06	45830-0091	45830-3091	45830-2091	45830-8091	45830-4091	45830-9091	45830-6091	45830-7091	45830-5091	45830-1091
13	24.00	42.06	45830-0092	45830-3092	45830-2092	45830-8092	45830-4092	45830-9092	45830-6092	45830-7092	45830-5092	45830-1092
15	28.00	46.06	45830-0093	45830-3093	45830-2093	45830-8093	45830-4093	45830-9093	45830-6093	45830-7093	45830-5093	45830-1093
17	32.00	50.06	45830-0094	45830-3094	45830-2094	45830-8094	45830-4094	45830-9094	45830-6094	45830-7094	45830-5094	45830-1094
19	36.00	54.06	45830-0095	45830-3095	45830-2095	45830-8095	45830-4095	45830-9095	45830-6095	45830-7095	45830-5095	45830-1095
21	40.00	58.06	45830-0096	45830-3096	45830-2096	45830-8096	45830-4096	45830-9096	45830-6096	45830-7096	45830-5096	45830-1096
23	44.00	62.06	45830-0097	45830-3097	45830-2097	45830-8097	45830-4097	45830-9097	45830-6097	45830-7097	45830-5097	45830-1097
25	48.00	66.06	45830-0098	45830-3098	45830-2098	45830-8098	45830-4098	45830-9098	45830-6098	45830-7098	45830-5098	45830-1098
27	52.00	70.06	45830-0099	45830-3099	45830-2099	45830-8099	45830-4099	45830-9099	45830-6099	45830-7099	45830-5099	45830-1099

TIN PARTS  
LEAD CODE = "2"

STACK HEIGHT:			8mm	9mm	10mm	11mm	12mm	13mm	14mm	15mm	17mm	18mm
DIM B			10.41	11.41	12.41	13.41	14.41	15.41	16.41	17.41	19.41	20.41
DIM C			8.80	9.80	10.80	11.80	12.80	13.80	14.80	15.80	17.80	18.80
ROWS	DIM A	DIM D	MATERIAL NO	MATERIAL NO	MATERIAL NO	MATERIAL NO	MATERIAL NO	MATERIAL NO	MATERIAL NO	MATERIAL NO	MATERIAL NO	MATERIAL NO
7	12.00	30.06	45830-0289	45830-3289	45830-2289	45830-8289	45830-4289	45830-9289	45830-6289	45830-7289	45830-5289	45830-1289
9	16.00	34.06	45830-0290	45830-3290	45830-2290	45830-8290	45830-4290	45830-9290	45830-6290	45830-7290	45830-5290	45830-1290
11	20.00	38.06	45830-0291	45830-3291	45830-2291	45830-8291	45830-4291	45830-9291	45830-6291	45830-7291	45830-5291	45830-1291
13	24.00	42.06	45830-0292	45830-3292	45830-2292	45830-8292	45830-4292	45830-9292	45830-6292	45830-7292	45830-5292	45830-1292
15	28.00	46.06	45830-0293	45830-3293	45830-2293	45830-8293	45830-4293	45830-9293	45830-6293	45830-7293	45830-5293	45830-1293
17	32.00	50.06	45830-0294	45830-3294	45830-2294	45830-8294	45830-4294	45830-9294	45830-6294	45830-7294	45830-5294	45830-1294
19	36.00	54.06	45830-0295	45830-3295	45830-2295	45830-8295	45830-4295	45830-9295	45830-6295	45830-7295	45830-5295	45830-1295
21	40.00	58.06	45830-0296	45830-3296	45830-2296	45830-8296	45830-4296	45830-9296	45830-6296	45830-7296	45830-5296	45830-1296
23	44.00	62.06	45830-0297	45830-3297	45830-2297	45830-8297	45830-4297	45830-9297	45830-6297	45830-7297	45830-5297	45830-1297
25	48.00	66.06	45830-0298	45830-3298	45830-2298	45830-8298	45830-4298	45830-9298	45830-6298	45830-7298	45830-5298	45830-1298
27	52.00	70.06	45830-0299	45830-3299	45830-2299	45830-8299	45830-4299	45830-9299	45830-6299	45830-7299	45830-5299	45830-1299

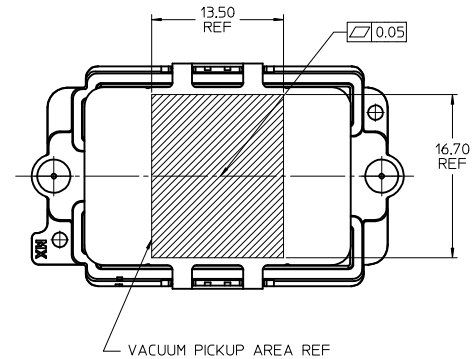
ALL PARTS ON THIS SHEET ARE PACKED  
IN JEDEC STYLE TRAYS PER PK-45830-002

<b>SEE SHEET 1</b> EC NO: UCP2013-3872 DRWN: TIBARRA 2013/03/12 CHKD: BBARKER 2013/03/12 APPR: SWILLER 2013/03/19	QUALITY SYMBOLS $\nabla F/0$ $\nabla F/0$ $\nabla F/0$	GENERAL TOLERANCES (UNLESS SPECIFIED)		DIMENSION STYLE <b>MM ONLY</b>		SCALE <b>1:1</b>	DESIGN UNITS <b>METRIC</b>	THIRD ANGLE PROJECTION		
						DRAWN BY DATE TGREGORI 2010/09/09		TITLE <b>HDMEZZ PLUG ASSEMBLY WITH LONG GUIDE PINS</b>		
						CHECKED BY DATE				
						APPROVED BY DATE JCOMERC I 2010/10/07		DOCUMENT NO. <b>SD-45830-0001</b>		
				MATERIAL NO.		SHEET NO. <b>3 OF 3</b>				
		ANGULAR $\pm 1/2^\circ$		<b>SEE TABLE</b>		THIS DRAWING CONTAINS INFORMATION THAT IS PROPRIETARY TO MOLEX INCORPORATED AND SHOULD NOT BE USED WITHOUT WRITTEN PERMISSION				
		DRAFT WHERE APPLICABLE MUST REMAIN WITHIN DIMENSIONS		SIZE <b>B</b>						

9 8 7 6 5 4 3 2 1



			10	9	8	7	6	5	4	3	2	1	
TIN / LEAD PARTS LEAD CODE = "0"	STACK HEIGHT:		8mm	9mm	10mm	11mm	12mm	13mm	14mm	15mm	17mm	18mm	
	DIM B		10.41	11.41	12.41	13.41	14.41	15.41	16.41	17.41	19.41	20.41	
	DIM C		8.80	9.80	10.80	11.80	12.80	13.80	14.80	15.80	17.80	18.80	
	ROWS	DIM A	DIM D	MATERIAL NO	MATERIAL NO	MATERIAL NO	MATERIAL NO	MATERIAL NO	MATERIAL NO	MATERIAL NO	MATERIAL NO	MATERIAL NO	
	7	12.00	30.06	45830-0707	45830-3707	45830-2707	45830-8707	45830-4707	45830-9707	45830-6707	45830-7707	45830-5707	45830-1707
	9	16.00	34.06	45830-0709	45830-3709	45830-2709	45830-8709	45830-4709	45830-9709	45830-6709	45830-7709	45830-5709	45830-1709
	11	20.00	38.06	45830-0711	45830-3711	45830-2711	45830-8711	45830-4711	45830-9711	45830-6711	45830-7711	45830-5711	45830-1711
	13	24.00	42.06	45830-0713	45830-3713	45830-2713	45830-8713	45830-4713	45830-9713	45830-6713	45830-7713	45830-5713	45830-1713
	15	28.00	46.06	45830-0715	45830-3715	45830-2715	45830-8715	45830-4715	45830-9715	45830-6715	45830-7715	45830-5715	45830-1715
	17	32.00	50.06	45830-0717	45830-3717	45830-2717	45830-8717	45830-4717	45830-9717	45830-6717	45830-7717	45830-5717	45830-1717
	19	36.00	54.06	45830-0719	45830-3719	45830-2719	45830-8719	45830-4719	45830-9719	45830-6719	45830-7719	45830-5719	45830-1719
	21	40.00	58.06	45830-0721	45830-3721	45830-2721	45830-8721	45830-4721	45830-9721	45830-6721	45830-7721	45830-5721	45830-1721
	23	44.00	62.06	45830-0723	45830-3723	45830-2723	45830-8723	45830-4723	45830-9723	45830-6723	45830-7723	45830-5723	45830-1723
25	48.00	66.06	45830-0725	45830-3725	45830-2725	45830-8725	45830-4725	45830-9725	45830-6725	45830-7725	45830-5725	45830-1725	
27	52.00	70.06	45830-0727	45830-3727	45830-2727	45830-8727	45830-4727	45830-9727	45830-6727	45830-7727	45830-5727	45830-1727	



			10	9	8	7	6	5	4	3	2	1	
TIN PARTS LEAD CODE = "2"	STACK HEIGHT:		8mm	9mm	10mm	11mm	12mm	13mm	14mm	15mm	17mm	18mm	
	DIM B		10.41	11.41	12.41	13.41	14.41	15.41	16.41	17.41	19.41	20.41	
	DIM C		8.80	9.80	10.80	11.80	12.80	13.80	14.80	15.80	17.80	18.80	
	ROWS	DIM A	DIM D	MATERIAL NO	MATERIAL NO	MATERIAL NO	MATERIAL NO	MATERIAL NO	MATERIAL NO	MATERIAL NO	MATERIAL NO	MATERIAL NO	
	7	12.00	30.06	45830-0807	45830-3807	45830-2807	45830-8807	45830-4807	45830-9807	45830-6807	45830-7807	45830-5807	45830-1807
	9	16.00	34.06	45830-0809	45830-3809	45830-2809	45830-8809	45830-4809	45830-9809	45830-6809	45830-7809	45830-5809	45830-1809
	11	20.00	38.06	45830-0811	45830-3811	45830-2811	45830-8811	45830-4811	45830-9811	45830-6811	45830-7811	45830-5811	45830-1811
	13	24.00	42.06	45830-0813	45830-3813	45830-2813	45830-8813	45830-4813	45830-9813	45830-6813	45830-7813	45830-5813	45830-1813
	15	28.00	46.06	45830-0815	45830-3815	45830-2815	45830-8815	45830-4815	45830-9815	45830-6815	45830-7815	45830-5815	45830-1815
	17	32.00	50.06	45830-0817	45830-3817	45830-2817	45830-8817	45830-4817	45830-9817	45830-6817	45830-7817	45830-5817	45830-1817
	19	36.00	54.06	45830-0819	45830-3819	45830-2819	45830-8819	45830-4819	45830-9819	45830-6819	45830-7819	45830-5819	45830-1819
	21	40.00	58.06	45830-0821	45830-3821	45830-2821	45830-8821	45830-4821	45830-9821	45830-6821	45830-7821	45830-5821	45830-1821
	23	44.00	62.06	45830-0823	45830-3823	45830-2823	45830-8823	45830-4823	45830-9823	45830-6823	45830-7823	45830-5823	45830-1823
25	48.00	66.06	45830-0825	45830-3825	45830-2825	45830-8825	45830-4825	45830-9825	45830-6825	45830-7825	45830-5825	45830-1825	
27	52.00	70.06	45830-0827	45830-3827	45830-2827	45830-8827	45830-4827	45830-9827	45830-6827	45830-7827	45830-5827	45830-1827	

ALL PARTS ON THIS SHEET ARE PACKED IN STANDARD MOLEX TRAYS PER PK-45830-001

NOTE:  
1. SOLDER CHARGE COMPOSITION  
TIN/LEAD: Sn 63/Pb 37  
TIN: Sn 95.5/ Ag 3.8/ Cu 0.7

<b>SEE SHEET 1</b> EC NO: UCP2013-3872 DRAWN: T. BARBA 2013/03/12 CHKD: BARKER 2013/03/12 APPR: SMILLER 2013/03/19	QUALITY SYMBOLS	GENERAL TOLERANCES (UNLESS SPECIFIED)	DIMENSION STYLE	SCALE	DESIGN UNITS	THIRD ANGLE PROJECTION
	$\nabla F=0$ $\nabla E=0$ $\nabla D=0$	mm	MM ONLY	2:1	METRIC	HDMEZZ PLUG ASSEMBLY WITH SHORT GUIDE PINS  <b>molex</b> DOCUMENT NO. SD-45830-0002 SHEET NO. 2 OF 3
		INCH	DRAWN BY	DATE		
		4 PLACES ± --- ± ---	T. GREGORI	2010/09/09		
		3 PLACES ± 0.05 ± ---	CHECKED BY	DATE		
2 PLACES ± 0.15 ± ---		APPROVED BY	DATE			
1 PLACE ± 0.3 ± ---	J. COMERCI	2010/10/07				
0 PLACE ± ±	MATERIAL NO.	SEE TABLE				
ANGULAR ± 1/2°		DRAFT WHERE APPLICABLE MUST REMAIN WITHIN DIMENSIONS		THIS DRAWING CONTAINS INFORMATION THAT IS PROPRIETARY TO MOLEX INCORPORATED AND SHOULD NOT BE USED WITHOUT WRITTEN PERMISSION		

		10	9	8	7	6	5	4	3	2	1		
F TIN / LEAD PARTS LEAD CODE = "0"	STACK HEIGHT:		8mm	9mm	10mm	11mm	12mm	13mm	14mm	15mm	17mm	18mm	
	DIM B		10.41	11.41	12.41	13.41	14.41	15.41	16.41	17.41	19.41	20.41	
	DIM C		8.80	9.80	10.80	11.80	12.80	13.80	14.80	15.80	17.80	18.80	
	ROWS	DIM A	DIM D	MATERIAL NO	MATERIAL NO	MATERIAL NO	MATERIAL NO	MATERIAL NO	MATERIAL NO	MATERIAL NO	MATERIAL NO	MATERIAL NO	
	7	12.00	30.06	45830-0789	45830-3789	45830-2789	45830-8789	45830-4789	45830-9789	45830-6789	45830-7789	45830-5789	45830-1789
	9	16.00	34.06	45830-0790	45830-3790	45830-2790	45830-8790	45830-4790	45830-9790	45830-6790	45830-7790	45830-5790	45830-1790
	11	20.00	38.06	45830-0791	45830-3791	45830-2791	45830-8791	45830-4791	45830-9791	45830-6791	45830-7791	45830-5791	45830-1791
	13	24.00	42.06	45830-0792	45830-3792	45830-2792	45830-8792	45830-4792	45830-9792	45830-6792	45830-7792	45830-5792	45830-1792
	15	28.00	46.06	45830-0793	45830-3793	45830-2793	45830-8793	45830-4793	45830-9793	45830-6793	45830-7793	45830-5793	45830-1793
	17	32.00	50.06	45830-0794	45830-3794	45830-2794	45830-8794	45830-4794	45830-9794	45830-6794	45830-7794	45830-5794	45830-1794
	19	36.00	54.06	45830-0795	45830-3795	45830-2795	45830-8795	45830-4795	45830-9795	45830-6795	45830-7795	45830-5795	45830-1795
	21	40.00	58.06	45830-0796	45830-3796	45830-2796	45830-8796	45830-4796	45830-9796	45830-6796	45830-7796	45830-5796	45830-1796
	23	44.00	62.06	45830-0797	45830-3797	45830-2797	45830-8797	45830-4797	45830-9797	45830-6797	45830-7797	45830-5797	45830-1797
25	48.00	66.06	45830-0798	45830-3798	45830-2798	45830-8798	45830-4798	45830-9798	45830-6798	45830-7798	45830-5798	45830-1798	
27	52.00	70.06	45830-0799	45830-3799	45830-2799	45830-8799	45830-4799	45830-9799	45830-6799	45830-7799	45830-5799	45830-1799	

		10	9	8	7	6	5	4	3	2	1		
D TIN PARTS LEAD CODE = "2"	STACK HEIGHT:		8mm	9mm	10mm	11mm	12mm	13mm	14mm	15mm	17mm	18mm	
	DIM B		10.41	11.41	12.41	13.41	14.41	15.41	16.41	17.41	19.41	20.41	
	DIM C		8.80	9.80	10.80	11.80	12.80	13.80	14.80	15.80	17.80	18.80	
	ROWS	DIM A	DIM D	MATERIAL NO	MATERIAL NO	MATERIAL NO	MATERIAL NO	MATERIAL NO	MATERIAL NO	MATERIAL NO	MATERIAL NO	MATERIAL NO	
	7	12.00	30.06	45830-0889	45830-3889	45830-2889	45830-8889	45830-4889	45830-9889	45830-6889	45830-7889	45830-5889	45830-1889
	9	16.00	34.06	45830-0890	45830-3890	45830-2890	45830-8890	45830-4890	45830-9890	45830-6890	45830-7890	45830-5890	45830-1890
	11	20.00	38.06	45830-0891	45830-3891	45830-2891	45830-8891	45830-4891	45830-9891	45830-6891	45830-7891	45830-5891	45830-1891
	13	24.00	42.06	45830-0892	45830-3892	45830-2892	45830-8892	45830-4892	45830-9892	45830-6892	45830-7892	45830-5892	45830-1892
	15	28.00	46.06	45830-0893	45830-3893	45830-2893	45830-8893	45830-4893	45830-9893	45830-6893	45830-7893	45830-5893	45830-1893
	17	32.00	50.06	45830-0894	45830-3894	45830-2894	45830-8894	45830-4894	45830-9894	45830-6894	45830-7894	45830-5894	45830-1894
	19	36.00	54.06	45830-0895	45830-3895	45830-2895	45830-8895	45830-4895	45830-9895	45830-6895	45830-7895	45830-5895	45830-1895
	21	40.00	58.06	45830-0896	45830-3896	45830-2896	45830-8896	45830-4896	45830-9896	45830-6896	45830-7896	45830-5896	45830-1896
	23	44.00	62.06	45830-0897	45830-3897	45830-2897	45830-8897	45830-4897	45830-9897	45830-6897	45830-7897	45830-5897	45830-1897
25	48.00	66.06	45830-0898	45830-3898	45830-2898	45830-8898	45830-4898	45830-9898	45830-6898	45830-7898	45830-5898	45830-1898	
27	52.00	70.06	45830-0899	45830-3899	45830-2899	45830-8899	45830-4899	45830-9899	45830-6899	45830-7899	45830-5899	45830-1899	

ALL PARTS ON THIS SHEET ARE PACKED IN JEDEC STYLE TRAYS PER PK-45830-002

SEE SHEET 1 EC NO: UCP2013-3872 DRAWN: T IBARRA 2013/03/12 CHKD: BBARKER 2013/03/12 APPR: SWILLER 2013/03/19	QUALITY SYMBOLS ▽=0 ▽=0 ▽=0	GENERAL TOLERANCES (UNLESS SPECIFIED)		DIMENSION STYLE MM ONLY		SCALE 1:1	DESIGN UNITS METRIC	THIRD ANGLE PROJECTION	
		4 PLACES ± --- ± ---		DRAWN BY DATE T GREGORI 2010/09/09		TITLE HDMEZZ PLUG ASSEMBLY WITH SHORT GUIDE PINS			
		3 PLACES ± 0.05 ± ---		CHECKED BY DATE					
		2 PLACES ± 0.15 ± ---		APPROVED BY DATE J COMERC I 2010/10/07		DOCUMENT NO. SD-45830-0002			
1 PLACE ± 0.3 ± ---		MATERIAL NO.							
0 PLACE ± ±		ANGULAR ± 1/2° DRAFT WHERE APPLICABLE MUST REMAIN WITHIN DIMENSIONS		SIZE B		THIS DRAWING CONTAINS INFORMATION THAT IS PROPRIETARY TO MOLEX INCORPORATED AND SHOULD NOT BE USED WITHOUT WRITTEN PERMISSION		SHEET NO. 3 OF 3	