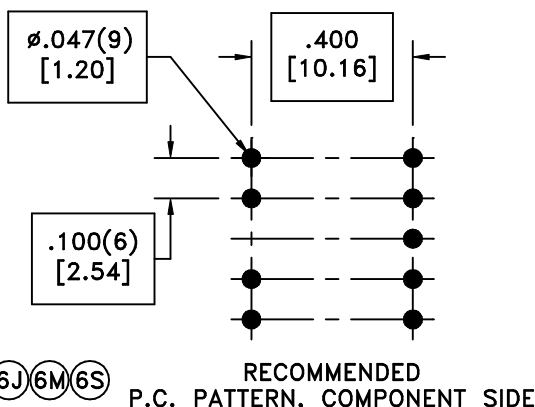
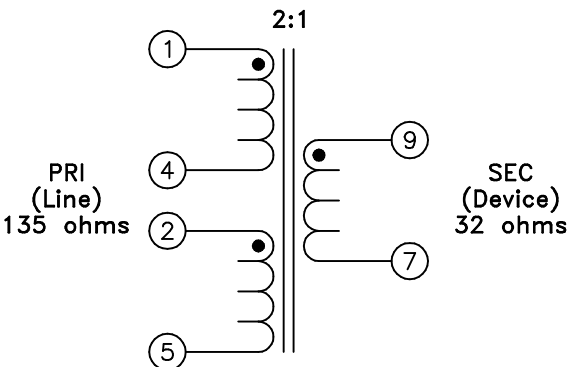
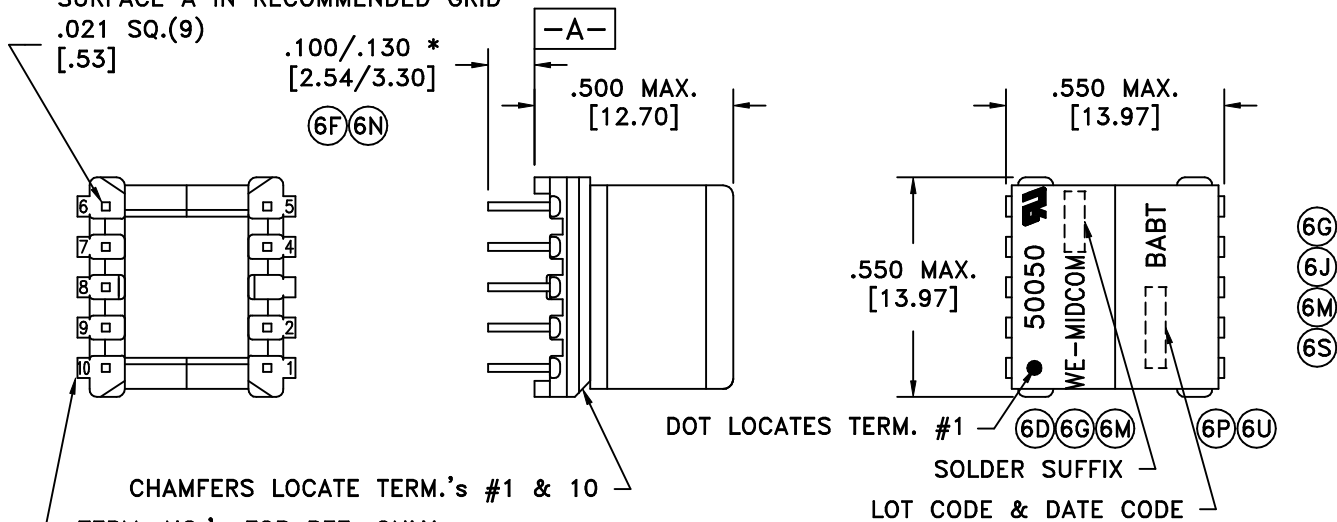


SOLDER SUFFIX	CUSTOMER TERMINAL	RoHS	LEAD(Pb)-FREE	6U
	Sn63%, Pb37%	No	No	
LF1	Sn96%, Ag4%	Yes	Yes	

PART MUST INSERT FULLY TO SURFACE A IN RECOMMENDED GRID

* DIMENSION MAY BE EXCEEDED WITH SOLDER ONLY



ELECTRICAL SPECIFICATIONS @ 25°C unless otherwise noted:

LONGITUDINAL BALANCE:	50dB min., 40kHz - 300kHz.
D.C. RESISTANCE (@20°C):	PRI, 2.5 ohms max. SEC, 1.0 ohms max.
6P FREQUENCY RESPONSE:	±0.1dB, 40kHz - 300kHz.
6P INSERTION LOSS:	0.5dB max., 300kHz, Rs = 135 ohms, RL = 32 ohms.
6Q DIELECTRIC RATING:	2000VAC, 1 minute tested by applying 2050VAC for 1 second between PRI-SEC.
6N PRIMARY INDUCTANCE:	2mH ±6%, 10kHz, 100mVAC, 1-5(tie 2+4), Ls.
6N LEAKAGE INDUCTANCE:	11uH max., 100kHz, 100mVAC, 1-5(tie 2+4, 9+7), Ls.
RETURN LOSS:	16.5dB min., 40k - 300kHz, Rs = 135 ohms, RL = 32 ohms.
D.C. CURRENT:	160mA.
6N TURNS RATIO:	(1-5):(9-7) = 2:1, tie(2+4), ±1%.
6N TOTAL HARMONIC DISTORTION:	-70dB max., 20kHz, 4.5Vp-p across PRI, 32 ohm load, 135 ohm input, tie(2+4).

OPERATING TEMPERATURE RANGE: -40° to +85°C.

Designed to work with Brooktree BT8921 at a data rate of 1,168kbs.

- 6G 6J Designed to comply with the following requirements as defined by IEC60950-1, EN60950-1, UL60950-1/CSA60950-1 and AS/NZS60950.1:
- 6M 6Q - Supplementary insulation for a primary circuit at a working voltage of 300Vrms.
- 6S 6U - Reinforced insulation for a secondary circuit at a working voltage of 150VDC.

6C	AGENCY NUMBER	
6Q	BABT	NC/012205
6P 6H	ACA/AUSTEL (Via CB cert.)	US/9168/UL
6P 6H	IEC60950-1 (Via CB cert.)	US/9168/UL
6P 6H	JAPAN (Via CB cert.)	US/9168/UL
6Q	UL60950-1	E205930
6Q	CSA60950-1 (Via CUL)	E205930

DETAILS SUBJECT TO CHANGE

Unless otherwise specified: Tolerances: Angles: ±1° Fractions: ±1/64 Decimals: ±.005[.13]	DRAWING TITLE	 www.midcom-inc.com	DRAWING NO. 50050/-LF1	REV. 6V 9/06
	TRANSFORMER eiSos p/n:			

This drawing is dual dimensioned. Dimensions in brackets are in millimeters.

DWG.# 50050/-LF1 6N