

THIS DOCUMENT IS THE PROPERTY OF APEM COMPONENTS AND SHALL NOT BE COPIED, REPRODUCED, DISCLOSED OR USED AS THE BASIS FOR MANUFACTURING OR SALE WITHOUT PERMISSION OF A DULY AUTHORIZED REPRESENTATIVE OF APEM COMPONENTS INC.

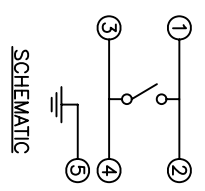
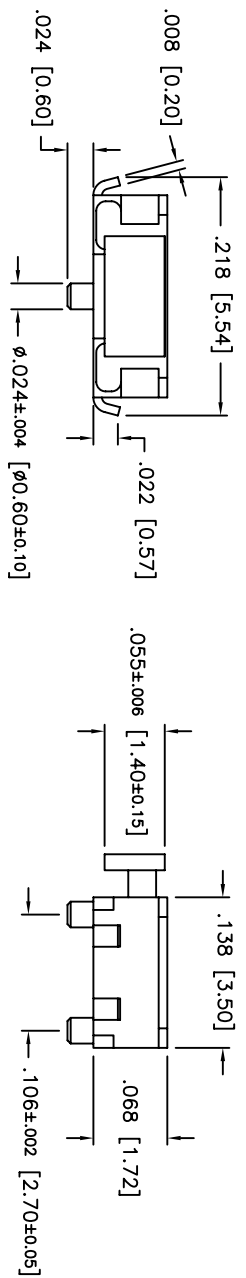
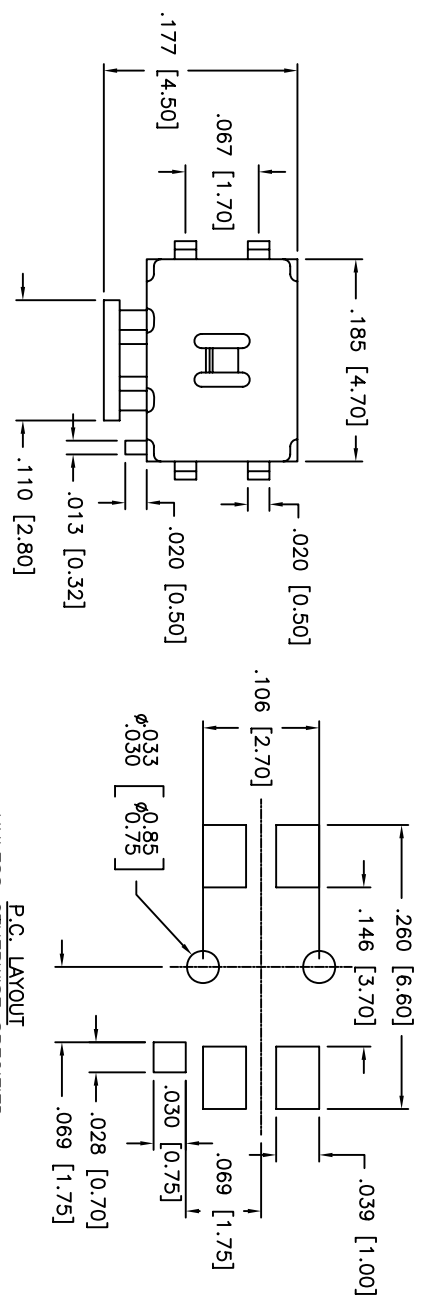
DATE	SYM	REVISION RECORD	DWN.	CK.
10/05	A	ECO# 483	CD	PD
2/07	B	ECO# 628	CD	PD

DESCRIPTION: SPST, MINIATURE SIDE PUSH SWITCH WITH P.C. LOCATING PINS AND SMT GULLWING TERMINALS.

SPECIFICATIONS:

CONTACT RATING: 50ma @ 12VDC
 INSULATION RESISTANCE: 100 MOHMS MIN. (500VDC)
 DIELECTRIC STRENGTH: 100VAC FOR 1 MINUTE
 CONTACT RESISTANCE: 100 MOHMS MAX.
 SHOCK RESISTANCE: 50G PER METHOD 213B.
 MIL-STD-202F
 VIBRATION RESISTANCE: PASSES METHOD 201A, MIL-STD-202F
 ELECTRICAL LIFE:
 100,000 CYCLES MIN.
 OPERATING FORCE: 220gf ±90gf
 TRAVEL: 0.30 ±0.15mm
 OPERATING TEMP. RANGE: -25°C TO +70°C
 STORAGE TEMP. RANGE: -30°C TO +80°C
 MATERIALS

P.C. LAYOUT
 UNLESS OTHERWISE SPECIFIED
 P.C. TOLERANCES ARE ±.002 [0.05]



SCHEMATIC

COVER: STAINLESS STEEL.
 CONTACT DISK: STAINLESS STEEL.
 TERMINAL: BRASS WITH SILVER PLATING.
 BASE: LCP HIGH-TEMP. THERMOPLASTIC.
 COLOR: BLACK.
 STEM: LCP HIGH-TEMP. THERMOPLASTIC.
 COLOR: BLACK.
 ROHS COMPLIANT
 LEAD FREE PROCESS COMPATIBLE
 HAND SOLDERING: 30 WATT IRON AT 350°C
 FOR 5 SECONDS
 IR REFLOW: 255°C MAX

Q.A. INSPECT: 		DESIGNS/REV. CONTROL DIMENSION TOLERANCES (UNLESS AS NOTED) .XX = ±.02 [0.05] .XXX = ±.008 [0.20] .XXXX = ±.0008 [0.02] ANGLE = 30.5°	PPN: CJD BR: PJD OK: PJD
DO NOT SCALE DATE: 12/16/04	DRAWING NO.: B7626	TITLE: TINY SIDE PUSH SWITCH APTCLGTR	THIRD ANGLE PROJECTION

1 2 3 4 5 6 7 8

THIS DOCUMENT IS THE PROPERTY OF APDM COMPONENTS AND SHALL NOT BE COPIED, REPRODUCED, DISCLOSED OR USED AS THE BASIS FOR MANUFACTURING OR SALE WITHOUT PERMISSION OF A DULY AUTHORIZED REPRESENTATIVE OF APDM COMPONENTS INC.

DATE	SYM	REVISION RECORD	DWN.	CK.

DESCRIPTION: SPST, MINIATURE SIDE PUSH SWITCH WITH P.C. LOCATING PINS AND SMT GULLWING TERMINALS.

SPECIFICATIONS:

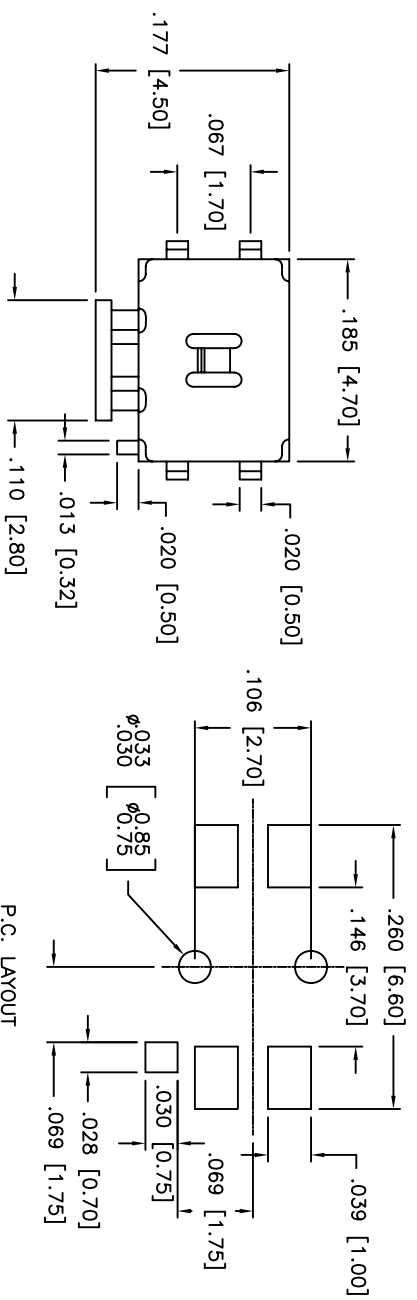
CONTACT RATING: 50ma @ 12VDC
 INSULATION RESISTANCE: 100 MOHMS MIN. (500VDC)
 DIELECTRIC STRENGTH: 100VAC FOR 1 MINUTE
 CONTACT RESISTANCE: 100 MOHMS MAX.
 SHOCK RESISTANCE: 50G PER METHOD 213B.
 MIL-STD-202F
 VIBRATION RESISTANCE: PASSES METHOD 201A, MIL-STD-202F

ELECTRICAL LIFE:
 100,000 CYCLES MIN.
 OPERATING FORCE: 160±50gf
 TRAVEL: .008±.004

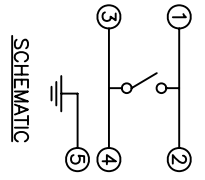
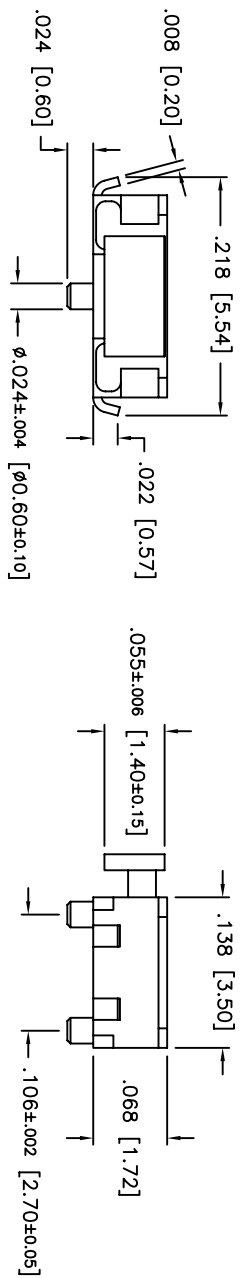
OPERATING TEMP. RANGE: -25°C TO +70°C
 STORAGE TEMP. RANGE: -30°C TO +80°C
 MATERIALS

COVER: STAINLESS STEEL.
 CONTACT DISK: STAINLESS STEEL.
 TERMINAL: BRASS WITH SILVER PLATING.
 BASE: LCP HIGH-TEMP. THERMOPLASTIC,
 COLOR: BLACK.
 STEM: LCP HIGH-TEMP. THERMOPLASTIC,
 COLOR: BLACK.

ROHS COMPLIANT
 LEAD FREE PROCESS COMPATIBLE
 HAND SOLDERING: 30 WATT IRON AT 350°C FOR 5 SECONDS
 IR REFLOW: 255°C MAX



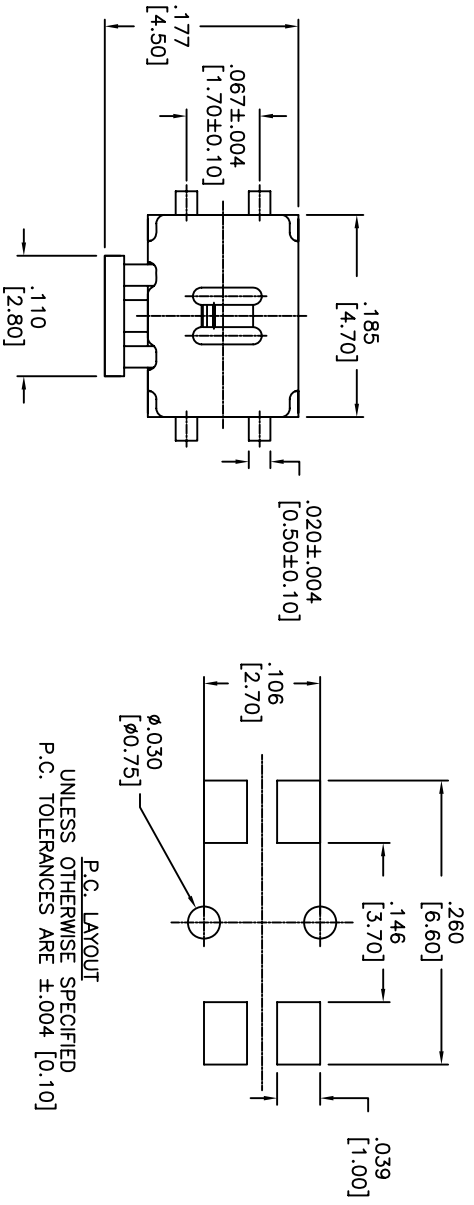
P.C. LAYOUT
 UNLESS OTHERWISE SPECIFIED
 P.C. TOLERANCES ARE ±.002 [0.05]



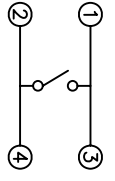
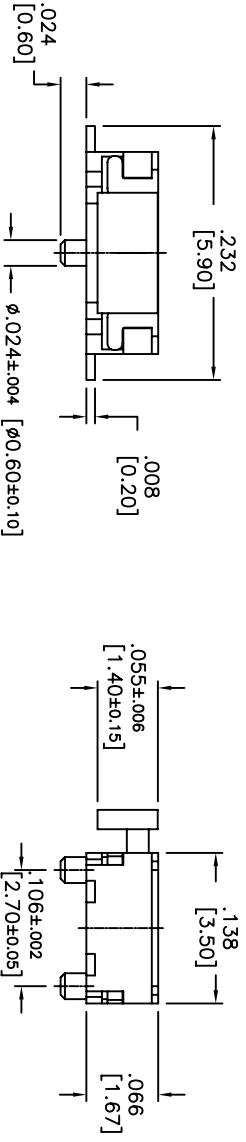
Q.A. INSPECT:	DESIGNATES CRITICAL DIMENSION	TOLERANCES (UNLESS OTHERWISE SPECIFIED)	ANGLE = 30.5°
APDM	63 Neck Rd. 01835 Haverhill, MA Phone: 978-372-5554 Fax: 978-372-5554	10X = ±0.02 [0.05] 20X = ±0.008 [0.20] 30X = ±0.006 [0.02]	DO NOT SCALE DRAWING
TITLE	TINY SIDE PUSH SWITCH	SHEET 1 OF 1	DATE 10/5/05
SIZE	B	SCALE 9:1	DRAWING NO. APTCLGTR
THIRD ANGLE PROJECTION	OK: PJD	REV A	

1 2 3 4 5 6 7 8

THIS DOCUMENT IS THE PROPERTY OF APEM COMPONENTS AND SHALL NOT BE COPIED, REPRODUCED, DISCLOSED OR SALE WITHOUT PERMISSION OF A DULY AUTHORIZED REPRESENTATIVE OF APEM COMPONENTS INC.



P.C. LAYOUT
UNLESS OTHERWISE SPECIFIED
P.C. TOLERANCES ARE ±.004 [0.10]



SCHEMATIC

DATE	SYM	REVISION RECORD	DWN.	CK.

DESCRIPTION: SPST, MINIATURE SIDE PUSH SWITCH WITH P.C. LOCATING PINS AND SMT SPECIFICATIONS:
 CONTACT RATING: 50mA @ 12VDC
 INSULATION RESISTANCE: 100 MOHMS MIN. (500VDC)
 DIELECTRIC STRENGTH: 250VAC FOR 1 MINUTE
 CONTACT RESISTANCE: 100 MOHMS MAX.
 SHOCK RESISTANCE: 50G PER METHOD 215B.
 MIL-STD-202F
 VIBRATION RESISTANCE: PASSES METHOD 201A.
 MIL-STD-202F
 ELECTRICAL LIFE:
 100,000 CYCLES MIN.
 OPERATING FORCE: 220 ±90g
 TRAVEL: .012 ±.004
 OPERATING TEMP. RANGE: -25°C TO +70°C
 STORAGE TEMP. RANGE: -30°C TO +80°C
 MATERIALS
 COVER: STAINLESS STEEL
 CONTACT DISK: STAINLESS STEEL.
 TERMINAL: BRASS WITH SILVER PLATING.
 BASE: LCP HIGH-TEMP. THERMOPLASTIC.
 COLOR: BLACK.
 STEM: LCP HIGH-TEMP. THERMOPLASTIC,
 COLOR: BLACK.
 TAPE: TEFLON
 TAPE & REEL PACKAGING: 3,000 PCS. PER REEL
 ROHS COMPLIANT
 LEAD FREE PROCESS COMPATIBLE
 HAND SOLDERING: 30 WATT IRON AT 350°C
 FOR 5 SECONDS
 IR REFLOW: 255°C MAX

Q.A. INSPECT: 		DESIGNER'S INITIALS: DIMENSION		DRN. CJD BR:	
TOLERANCES (UNLESS OTHERWISE SPECIFIED) .XX = ±.02 [0.05] .XXX = ±.008 [0.20] .XXXX = ±.0008 [0.02] ANGLE = 30.5°		APCI 63 Neck Rd. Haverhill, MA 01830 Phone: 978-372-5554 Fax: 978-372-5554		PJD BR:	
TITLE: TINY SIDE PUSH SWITCH		SHEET: 1 OF 1		SCALE: 9:1	
DATE: 7/7/05		DRAWING NO.: APTCFV		THIRD ANGLE PROJECTION 	
DO NOT SCALE DRAWING		REV A		REV A	

1 2 3 4 5 6 7 8

Mouser Electronics

Authorized Distributor

Click to View Pricing, Inventory, Delivery & Lifecycle Information:

[Apem:](#)

[APTCFGP1VTR](#) [APTCFGP2VTR](#) [APTCFP1VTR](#) [APTCFP2VTR](#) [APTCLGVTR](#) [APTCLVTR](#) [APTFGP1VTR](#)
[APTFGP2VTR](#) [APTFP1VTR](#) [APTFP2VTR](#) [APTLGVTR](#) [APTLVTR](#) [APTCLGTVTR](#)