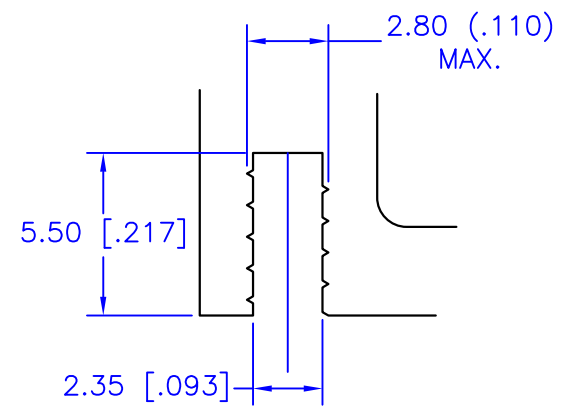
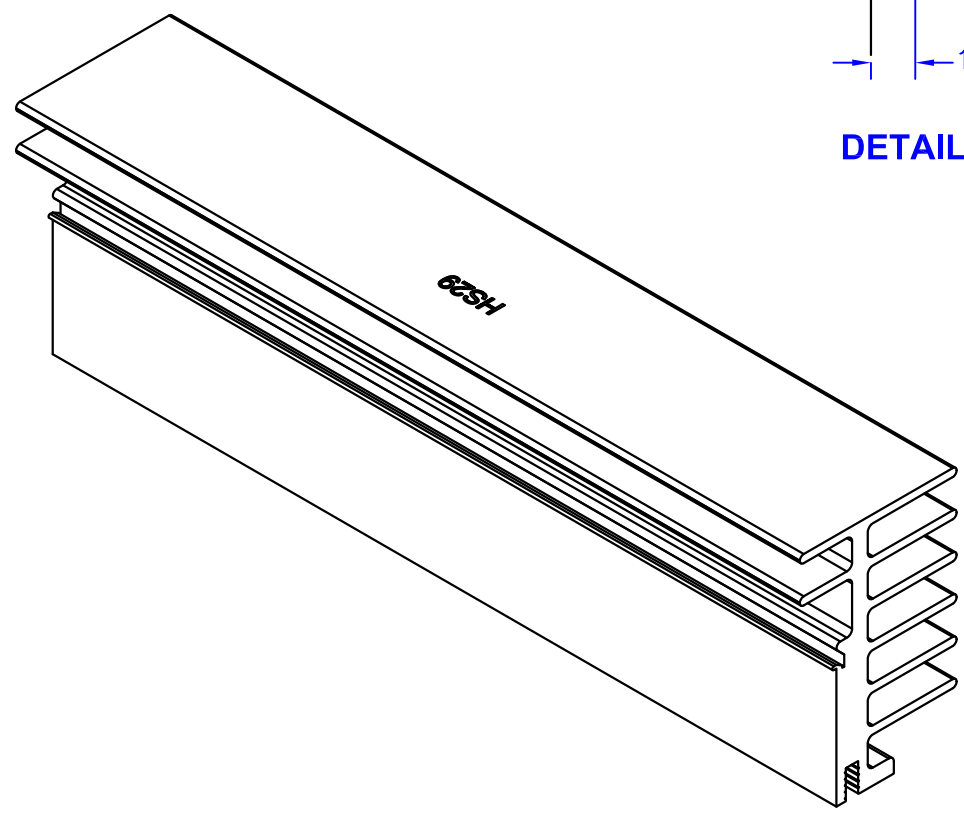


DETAIL A



DETAIL B



NOTES:

1. Dimensions are in millimeters; alternate units are inches.
2. Break all sharp edges, de-burr & remove loose chips.
3. Material: 6063-T5 Aluminum (AAVID Thermalloy #KM150-1)
4. Finish: Anodize per MIL-A-8625, Type II, Class 2, Black
Typical breakdown voltage > 300V
5. Mark with contrasting ink as shown, if specified by P.O.
6. Heatsink is used with AAVID Thermalloy part #439648 (Apex CLAMP04).
7. Approximate Weight: 164g [5.8 oz.]

TOLERANCES - UNLESS OTHERWISE SPECIFIED .XX = ±.05 [0.002] .XXX = ±.005 [0.0002] ANG. = ±2°	TITLE: TO-220 HEATSINK		MODEL: HS29	
	SUBJECT: MECHANICAL DRAWING		ENGINEER: D-M	DATE: 14NOV12
	DRAWN BY: P.ECK	DCA: 12436	SH: 1 OF 1	REV: B

