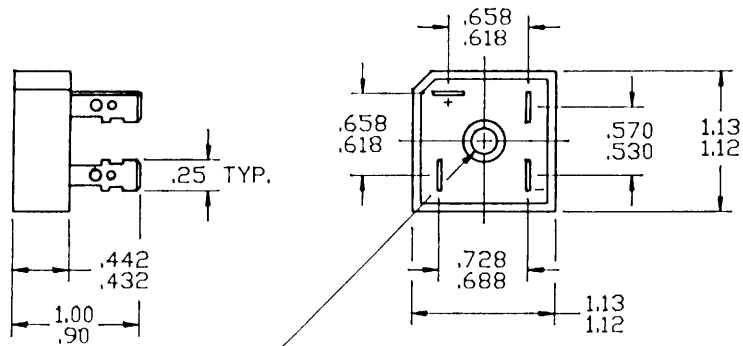


THIS DOCUMENT AND THE DATA DISCLOSED  
HEREIN OR HEREWITH IS NOT TO BE REPRODUCED,  
USED, OR DISCLOSED IN WHOLE OR IN PART  
TO ANYONE WITHOUT PERMISSION OF VICOR CORP.

REV.	DESCRIPTION	DATE	APPROVED
1	DRAWN PER E 910967	JW 8/91	



THRU HOLE HAS CLEARANCE  
FOR #8 (.193 DIA.) SCREW

MAXIMUM RATINGS AND ELECTRICAL CHARACTERISTICS			
MAXIMUM RECURRENT PEAK REVERSE VOLTAGE	$V_{RRM}$	600	VOLTS
MAXIMUM RMS VOLTAGE	$V_{RMS}$	420	VOLTS
MAXIMUM DC BLOCKING VOLTAGE	$V_{DC}$	600	VOLTS
MAXIMUM AVERAGE FORWARD RECTIFIED OUTPUT CURRENT @ $T_c = 55^\circ C$	$I_{(AV)}$	3.0	AMPS
PEAK FORWARD SURGE CURRENT SINGLE HALF SINE-WAVE SUPERIMPOSED ON RATED LOAD (JEDEC METHOD)	$I_{FSM}$	400	AMPS
RATING (NON-REPETITIVE, FOR $t$ GREATER THAN 1 MS & LESS THAN 8.3 MS)	$I^2 t$	660	$A^2 s$
MAXIMUM INSTANTANEOUS FORWARD VOLTAGE DROP PER ELEMENT AT SPECIFIED CURRENT	$V_F$	1.2	VOLTS
ISOLATION VOLTAGE FROM CASE TO LEADS		2500	V <sub>AC</sub>
MAXIMUM REVERSE DC CURRENT @ RATED DC BLOCKING VOLTAGE PER ELEMENT	$I_R$	10.0	$\mu A$
TYPICAL THERMAL RESISTANCE	$R_{\theta JC}$	2.0	$^\circ C/W$
OPERATING & STORAGE TEMPERATURE RANGE	$T_J, T_{STG}$	-55 TO +150	$^\circ C$

UNLESS OTHERWISE SPECIFIED DIMENSIONS ARE IN INCHES TOLERANCES ARE:  FRACTIONS    DECIMALS    ANGLES $\pm 1/64$ .XX $\pm .01$ $\pm 1'0$ .XXX $\pm .005$	APPROVALS	DATE				
	DRAWN J. WITEK	7/91				
	CHECKED:		BRIDGE RECTIFIER, 600V, 35A			
	ISSUED					
THIRD ANGLE PROJECTION	APP'D 	8/91	SIZE	FSCM NO.	DWG. NO.	REV.
			B	67131	05963	1
DO NOT SCALE DRAWING			SCALE FULL			SHEET 1 OF 1