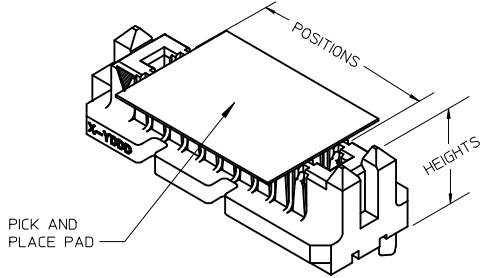


10 POSITION VERSION SHOWN IN THESE VIEWS



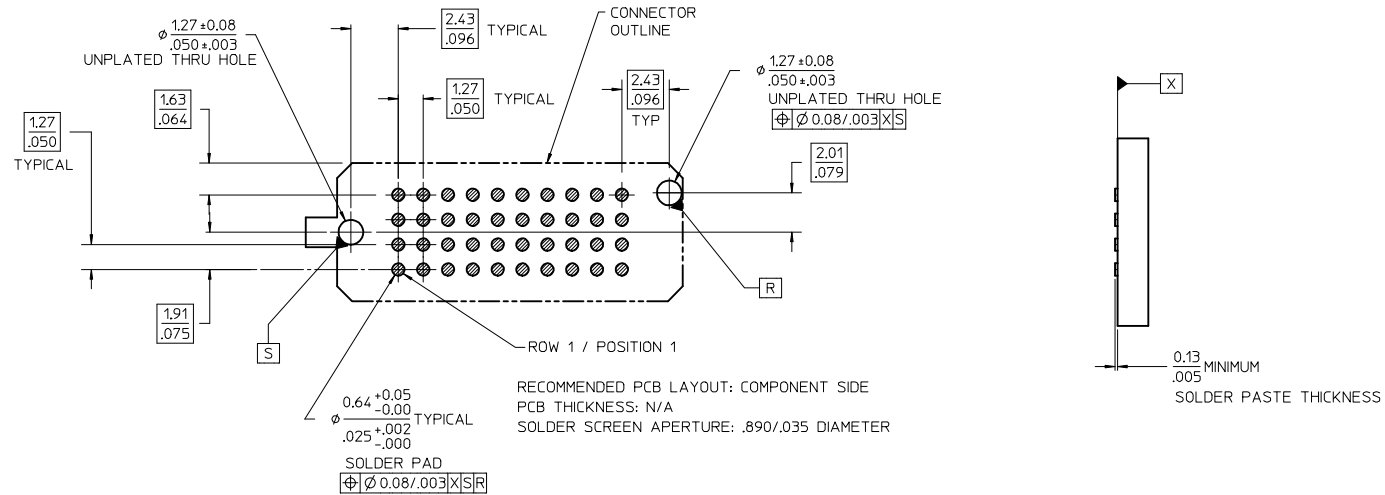
NOTES:

- MATERIALS: HOUSING: LCP, GLASS FILLED, UL94V-0, BLACK
CONTACTS: COPPER ALLOY
SOLDER CHARGE: 63% TIN, 37% LEAD
- FINISHES:
CONTACT AREA: 30 MICROINCH MINIMUM GOLD
TAIL AREA:
- *1** ASSEMBLIES: 7 MICROINCH MINIMUM GOLD
ALL OTHER ASSEMBLIES: 50 MICROINCH MINIMUM TIN
ENTIRE TERMINAL: NICKEL UNDERPLATE
- PRODUCT SPECIFICATION: PS-45970-001
- PACKAGING SPECIFICATION: PK-45970-002
- MATES WITH SEARAY RECPT ASSEMBLY 46557
- APPLICATION SPECIFICATION: AS-45970-001
- COSMETIC SPECIFICATION: PS-45499-002 CLASS B
- PART STATUS: CONTACT MOLEX

POSITIONS	DIM G		TOTAL NUMBER OF EDGE NOTCHES
10	17.68/1.696	0.15/1.006	4
15	24.02/1.946	0.15/1.006	6
20	30.37/1.196	0.15/1.006	10
25	36.72/1.446	0.15/1.006	12
30	43.07/1.696	0.15/1.006	14
35	49.42/1.946	0.15/1.006	16
40	55.77/2.196	0.15/1.006	20
45	62.12/2.446	0.23/1.009	22
50	68.47/2.696	0.23/1.009	24

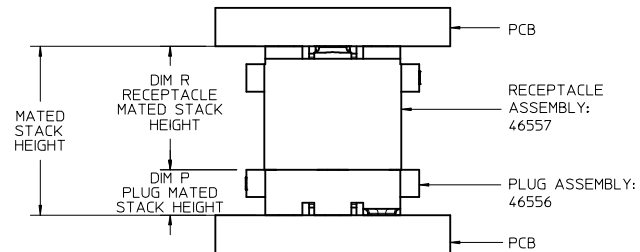
INITIAL RELEASE EC NO: UCP2015-1206 DRAWN BY: RWHIPPLE 2014/10/22 CHKCD: DMORGAN 2014/10/22 APPR: SMILLER 2015/01/05	DESCRIPTION QUALITY SYMBOLS ▽=0 ▽=0 ▽=0	GENERAL TOLERANCES (UNLESS SPECIFIED)		DIMENSION STYLE MM/IN		SCALE 4:1	DESIGN UNITS INCH	THIRD ANGLE PROJECTION		
		4 PLACES	± ---	± ---	DRAWN BY	DATE	TITLE SEARAY SLIM 4 (ROW) PLUG ASSEMBLY 1.27/.050 PITCH TIN/LEAD molex			
		3 PLACES	± ---	± .010	CHECKED BY	DATE				
		2 PLACES	± 0.25	± .015	DMORGAN	2014/10/22	MATERIAL NO. SEE TABLE SHT 3 DOCUMENT NO. RSD-46556-001 SHEET NO. 1 OF 3			
1 PLACE	± 0.38	± ---	APPROVED BY	DATE						
0 PLACE	±	±	SMILLER	2015/01/05	THIS DRAWING CONTAINS INFORMATION THAT IS PROPRIETARY TO MOLEX INCORPORATED AND SHOULD NOT BE USED WITHOUT WRITTEN PERMISSION					
ANGULAR ± 1/2°		DRAFT WHERE APPLICABLE MUST REMAIN WITHIN DIMENSIONS		SIZE B						

10 9 8 7 6 5 4 3 2 1



		DIM R RECEPTACLE STACK HEIGHT					
		MM	5.0	6.0	6.5	7.5	8.0
DIM P PLUG STACK HEIGHT	2.0	7.0	8.0	8.5	9.5	10.0	10.0
	3.0	8.0	9.0	9.5	10.5	11.0	11.0
	3.5	8.5	9.5	10.0	11.0	11.5	11.5
	2.5	7.5	8.5	9.0	10.0	10.5	10.5
	4.5	9.5	10.5	11.0	12.0	12.5	12.5
	5.0	10.0	11.0	11.5	12.5	13.0	13.0
	7.0	12.0	13.0	13.5	14.5	15.0	15.0

MATED STACK HEIGHTS
 GIVEN IN MILLIMETERS (MM) FOR REFERENCE ONLY



MATED STACK HEIGHTS
 GIVEN IN MILLIMETERS (MM) FOR REFERENCE ONLY

SEE SHEET 1 EC NO: UCP2015-1206 DRAWN BY: RWHIPPLE 2014/10/22 CHKD: DMORGAN 2014/10/22 APPR: SMILLER 2015/01/05	QUALITY SYMBOLS	GENERAL TOLERANCES (UNLESS SPECIFIED)		DIMENSION STYLE	SCALE	DESIGN UNITS	THIRD ANGLE PROJECTION
		mm	INCH	MM/IN	4:1	INCH	
	$\nabla = 0$	4 PLACES \pm ---	\pm ---	DRAWN BY: RWHIPPLE	DATE: 2014/10/22	TITLE SEARAY SLIM 4 (ROW) PLUG ASSEMBLY 1.27/.050 PITCH TIN/LEAD	
	$\nabla = 0$	3 PLACES \pm ---	$\pm .010$	CHECKED BY: DMORGAN	DATE: 2014/10/22		
$\nabla = 0$	2 PLACES ± 0.25	$\pm .015$	APPROVED BY: SMILLER	DATE: 2015/01/05	DOCUMENT NO. RSD-46556-001		
	1 PLACE ± 0.38	\pm ---	MATERIAL NO. SEE TABLE SHT 3				SHEET NO. 2 OF 3
	0 PLACE \pm	\pm	ANGULAR $\pm 1/2^\circ$ DRAFT WHERE APPLICABLE MUST REMAIN WITHIN DIMENSIONS		THIS DRAWING CONTAINS INFORMATION THAT IS PROPRIETARY TO MOLEX INCORPORATED AND SHOULD NOT BE USED WITHOUT WRITTEN PERMISSION		

9 8 7 6 5 4 3 2 1

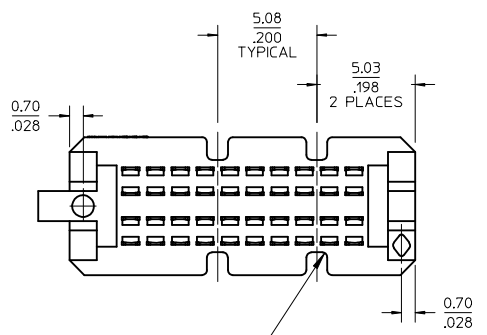
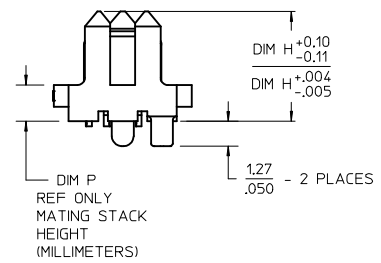
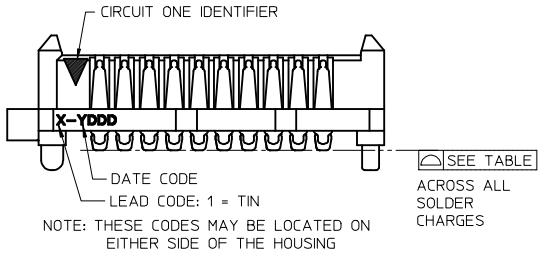
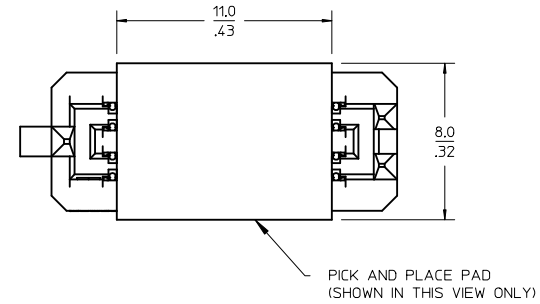
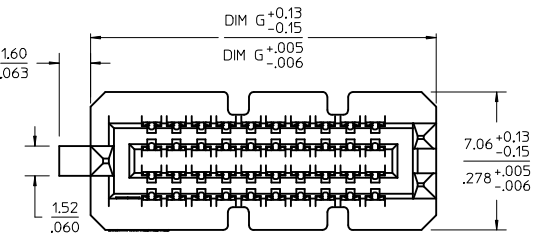
10 9 8 7 6 5 4 3 2 1

DIM P:	2.0 MM	3.0 MM	3.5 MM	2.5 MM	4.5 MM	5.0 MM	7.0 MM
DIM H:	5.61/.221	6.60/.260	7.11/.280	6.12/.241	8.10/.319	8.16/.339	10.61/.418
POSITIONS	MATERIAL NO	MATERIAL NO	MATERIAL NO	MATERIAL NO	MATERIAL NO	MATERIAL NO	MATERIAL NO
10	46556-1147	46556-1247	46556-1347	46556-1447	46556-1547	46556-1647	46556-1747
20	46556-2147	46556-2247	46556-2347	46556-2447	46556-2547	46556-2647	46556-2747
30	46556-3147	46556-3247	46556-3347	46556-3447	46556-3547	46556-3647	46556-3747
40	46556-4147	46556-4247	46556-4347	46556-4447	46556-4547	46556-4647	46556-4747
50	46556-5147	46556-5247	46556-5347	46556-5447	46556-5547	46556-5647	46556-5747
15	46556-6147	46556-6247	46556-6347	46556-6447	46556-6547	46556-6647	46556-6747
25	46556-7147	46556-7247	46556-7347	46556-7447	46556-7547	46556-7647	46556-7747
35	46556-8147	46556-8247	46556-8347	46556-8447	46556-8547	46556-8647	46556-8747
45	46556-9147	46556-9247	46556-9347	46556-9447	46556-9547	46556-9647	46556-9747

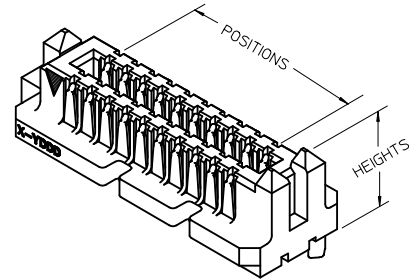
MATED STACK HEIGHTS
GIVEN IN MILLIMETERS (MM) FOR REFERENCE ONLY

SEE SHEET 1 EC NO: UCP2015-1206 DRAWN BY: RWHIPPLE 2014/10/22 CHKD: DMORGAN 2014/10/22 APPR: SMILLER 2015/01/05	QUALITY SYMBOLS ▽=0 ▽=0 ▽=0	GENERAL TOLERANCES (UNLESS SPECIFIED)		DIMENSION STYLE MM/IN		SCALE 1:1	DESIGN UNITS INCH	THIRD ANGLE PROJECTION	
						DRAWN BY DATE RWHIPPLE 2014/10/22		TITLE SEARAY SLIM 4 (ROW) PLUG ASSEMBLY 1.27/.050 PITCH TIN/LEAD	
						CHECKED BY DATE DMORGAN 2014/10/22			
						APPROVED BY DATE SMILLER 2015/01/05		DOCUMENT NO. RSD-46556-001	
		ANGULAR ±1/2° DRAFT WHERE APPLICABLE MUST REMAIN WITHIN DIMENSIONS		MATERIAL NO. SEE TABLE		THIS DRAWING CONTAINS INFORMATION THAT IS PROPRIETARY TO MOLEX INCORPORATED AND SHOULD NOT BE USED WITHOUT WRITTEN PERMISSION			

9 8 7 6 5 4 3 2 1



10 POSITION SHOWN



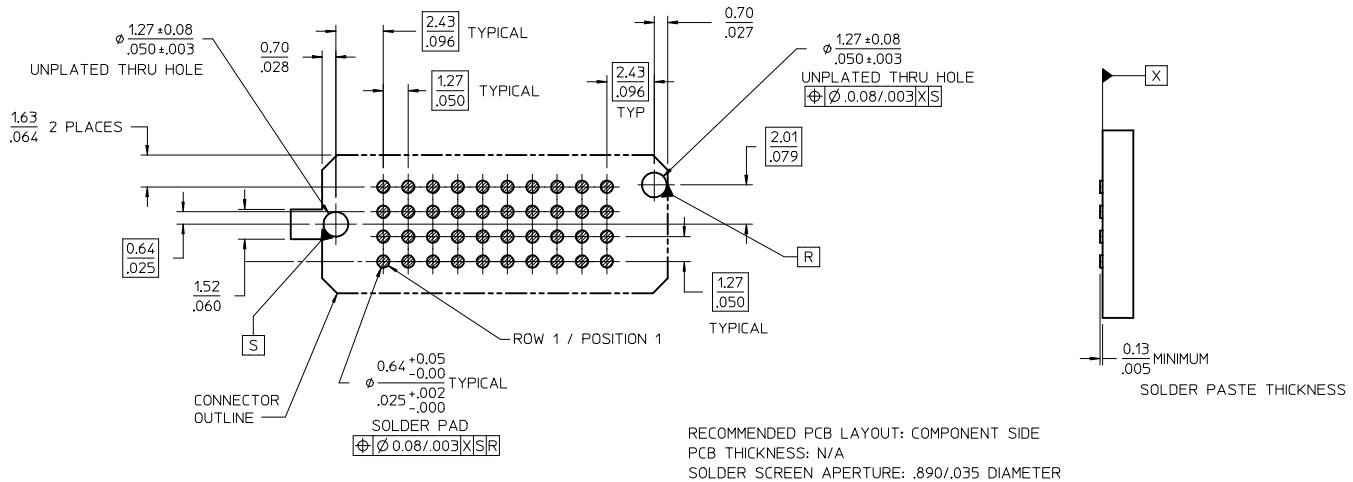
NOTES:

- MATERIALS: HOUSING: GLASS FILLED LCP (LIQUID CRYSTAL POLYMER), UL94V-0, BLACK
CONTACTS: COPPER ALLOY
SOLDER CHARGE: 95.5% TIN, 3.8% SILVER, 0.7 % COPPER
- FINISHES:
CONTACT AREA: 30 MICROINCH MINIMUM GOLD
TAIL AREA:
-*** ASSEMBLIES: 7 MICROINCH MINIMUM GOLD
ALL OTHER ASSEMBLIES: 50 MICROINCH MINIMUM TIN
ENTIRE TERMINAL: NICKEL UNDERPLATE
- PRODUCT SPECIFICATION: PS-45970-001
- PACKAGING SPECIFICATION: PK-45970-002 (TAPE AND REEL)
- MATES WITH SEARAY RECEPTACLE ASSEMBLY SERIES 46557
- APPLICATION SPECIFICATION: AS-45970-001
- COSMETIC SPECIFICATION: PS-45499-002 CLASS B
- PART STATUS: CONTACT MOLEX

POSITIONS	DIM G		TOTAL NUMBER OF EDGE NOTCHES
10	17.69/1.698	0.15/0.006	4
15	24.04/1.948	0.15/0.006	6
20	30.39/2.198	0.15/0.006	10
25	36.74/2.448	0.15/0.006	12
30	43.09/2.698	0.15/0.006	14
35	49.44/2.948	0.15/0.006	16
40	55.79/3.198	0.15/0.006	20
45	62.14/3.448	0.23/0.009	22
50	68.49/3.698	0.23/0.009	24

EDGE NOTCHES- SEE TABLE
(THE NUMBER OF NOTCHES INCREASES AS THE NUMBER OF POSITIONS INCREASES)

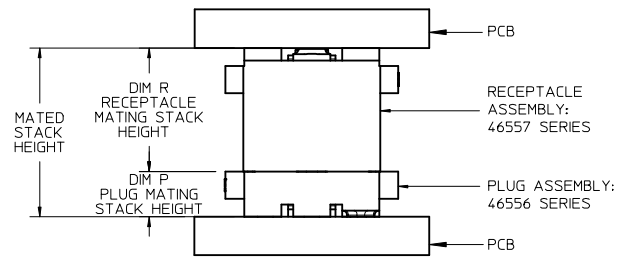
ADD PNP PAD DIMS EC NO: UCP2015-5493 DRW: BARKER 2015/05/18 CHKD: TIBARRA 2015/08/04 APPR: MILLER 2015/08/07	QUALITY SYMBOLS	GENERAL TOLERANCES (UNLESS SPECIFIED)	DIMENSION STYLE	SCALE	DESIGN UNITS	THIRD ANGLE PROJECTION SEARAY SLIM (4 ROW) PLUG, ASSEMBLY 1.27/.050 PITCH
	$\nabla = 0$	mm INCH	MM/IN	4:1	INCH	
	$\nabla = 0$	4 PLACES ± --- ± ---	DRAWN BY DATE	TITLE		
	$\nabla = 0$	3 PLACES ± --- ± .010	TGREGORI 2007/05/17	SEARAY SLIM (4 ROW) PLUG, ASSEMBLY		
$\nabla = 0$	2 PLACES ± 0.25 ± .015	CHECKED BY DATE	DOCUMENT NO.			
	1 PLACE ± 0.38 ± ---	JCOMERCI 2007/05/17	SD-46556-001			
	0 PLACE ± ±	APPROVED BY DATE	SHEET NO.			
	ANGULAR ± 1/2°	JCOMERCI 2010/03/05	1 OF 3			
	DRAFT WHERE APPLICABLE MUST REMAIN WITHIN DIMENSIONS	MATERIAL NO.	THIS DRAWING CONTAINS INFORMATION THAT IS PROPRIETARY TO MOLEX INCORPORATED AND SHOULD NOT BE USED WITHOUT WRITTEN PERMISSION			
		SEE TABLE SHT 3				



RECOMMENDED PCB LAYOUT: COMPONENT SIDE
 PCB THICKNESS: N/A
 SOLDER SCREEN APERTURE: .890/.035 DIAMETER

		DIM R RECEPTACLE STACK HEIGHT					
		MM	5.0	6.0	6.5	7.5	8.0
DIM P PLUG STACK HEIGHT	2.0	7.0	8.0	8.5	9.5	10.0	
	3.0	8.0	9.0	9.5	10.5	11.0	
	3.5	8.5	9.5	10.0	11.0	11.5	
	2.5	7.5	8.5	9.0	10.0	10.5	
	4.5	9.5	10.5	11.0	12.0	12.5	
	5.0	10.0	11.0	11.5	12.5	13.0	
	7.0	12.0	13.0	13.5	14.5	15.0	

MATED STACK HEIGHTS
 GIVEN IN MILLIMETERS (MM) FOR REFERENCE ONLY



STACK HEIGHTS
 GIVEN IN MILLIMETERS (MM) FOR REFERENCE ONLY

SEE SHEET 1 EC NO: UCP2015-5493 DRW: BBARKER 2015/05/18 CHKD: TIBARRA 2015/08/04 APPR: MILLER 2015/08/07	QUALITY SYMBOLS	GENERAL TOLERANCES (UNLESS SPECIFIED)	DIMENSION STYLE	SCALE	DESIGN UNITS	THIRD ANGLE PROJECTION	
	▽=0	mm INCH	MM/IN	4:1	INCH		
	▽=0	4 PLACES ± --- ± ---	DRAWN BY DATE	SEARAY SLIM (4 ROW) PLUG, ASSEMBLY 1.27/.050 PITCH molex MATERIAL NO. SD-46556-001 DOCUMENT NO. SD-46556-001 SHEET NO. 2 OF 3			
	▽=0	3 PLACES ± --- ± .010	CHECKED BY DATE				
	▽=0	2 PLACES ± 0.25 ± .015	JCOMERCI 2007/05/17				
	1 PLACE ± 0.38 ± ---	APPROVED BY DATE					
	0 PLACE ± ±	JCOMERCI 2010/03/05					
	ANGULAR ± 1/2°	DRAFT WHERE APPLICABLE MUST REMAIN WITHIN DIMENSIONS	SEE TABLE SHT 3				

10 9 8 7 6 5 4 3 2 1

DIM P:	2.0 MM	3.0 MM	3.5 MM	2.5 MM	4.5 MM	5.0 MM	7.0 MM
DIM H:	5.61/.221	6.60/.260	7.11/.280	6.12/.241	8.10/.319	8.61/.339	10.71/.418
POSITIONS	MATERIAL NO	MATERIAL NO	MATERIAL NO	MATERIAL NO	MATERIAL NO	MATERIAL NO	MATERIAL NO
10	46556-1145	46556-1245	46556-1345	46556-1445	46556-1545	46556-1645	46556-1745
20	46556-2145	46556-2245	46556-2345	46556-2445	46556-2545	46556-2645	46556-2745
30	46556-3145	46556-3245	46556-3345	46556-3445	46556-3545	46556-3645	46556-3745
40	46556-4145	46556-4245	46556-4345	46556-4445	46556-4545	46556-4645	46556-4745
50	46556-5145	46556-5245	46556-5345	46556-5445	46556-5545	46556-5645	46556-5745
15	46556-6145	46556-6245	46556-6345	46556-6445	46556-6545	46556-6645	46556-6745
25	46556-7145	46556-7245	46556-7345	46556-7445	46556-7545	46556-7645	46556-7745
35	46556-8145	46556-8245	46556-8345	46556-8445	46556-8545	46556-8645	46556-8745
45	46556-9145	46556-9245	46556-9345	46556-9445	46556-9545	46556-9645	46556-9745

MATING STACK HEIGHTS (DIMENSION P)
GIVEN IN MILLIMETERS (MM) FOR REFERENCE ONLY

SEE SHEET 1 EC NO: UCP2015-5493 DRW: BARKER 2015/05/18 CHKD: TIBARRA 2015/08/04 APPR: SMILLER 2015/08/07	DESCRIPTION REV	QUALITY SYMBOLS	GENERAL TOLERANCES (UNLESS SPECIFIED)	DIMENSION STYLE	SCALE	DESIGN UNITS	THIRD ANGLE PROJECTION
		$\nabla = 0$ $\nabla = 0$ $\nabla = 0$	mm INCH 4 PLACES ± --- ± --- 3 PLACES ± --- ± .010 2 PLACES ± 0.25 ± .015 1 PLACE ± 0.38 ± --- 0 PLACE ± ±	MM/IN	1:1	INCH	SEARAY SLIM (4 ROW) PLUG, ASSEMBLY 1.27/.050 PITCH molex
		ANGULAR ±1/2° DRAFT WHERE APPLICABLE MUST REMAIN WITHIN DIMENSIONS	DRAWN BY DATE T GREGORI 2007/05/17 CHECKED BY DATE J COMERC I 2007/05/17 APPROVED BY DATE J COMERC I 2010/03/05	TITLE	MATERIAL NO. SEE TABLE	DOCUMENT NO. SD-46556-001	
		SIZE B	THIS DRAWING CONTAINS INFORMATION THAT IS PROPRIETARY TO MOLEX INCORPORATED AND SHOULD NOT BE USED WITHOUT WRITTEN PERMISSION		SHEET NO. 3 OF 3		

9 8 7 6 5 4 3 2 1