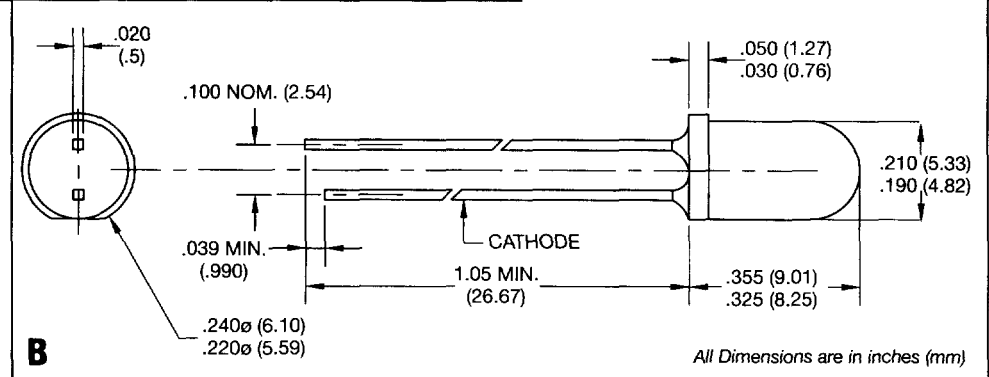
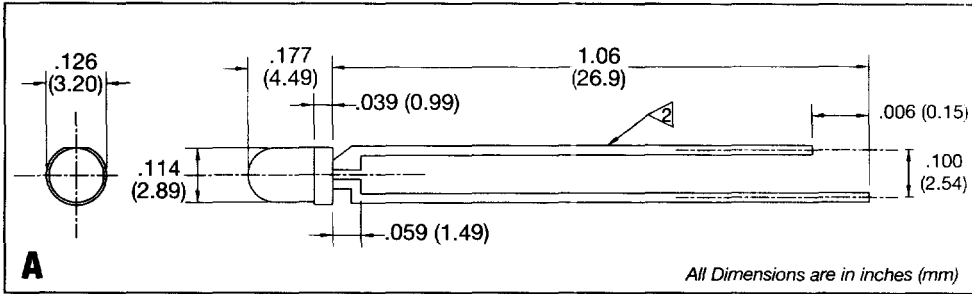


# NEW—Super Bright Blue and White LEDs

## Package Dimensions



## Electrical and Optical Characteristics ( $T_A=25^\circ\text{C}$ )

Part Number	Emitted Color	Lens Color	Package Type	Luminous Intensity			Forward Voltage			Peak Wavelength (nm)	View Angle (degrees)	Package Outline
				Min. mcd	Typ. mcd	mA	Typ.	Max.	mA			
<b>T1 (3mm) BLUE LEDs</b>												
8310	Blue	Blue	Diffused	12.5	25.0	20	4.5	5.5	20	430	60	A
8311	Blue	Clear	Non Diffused	20.0	55.0	20	4.5	5.5	20	430	20	A
<b>T1 3/4 (5mm) BLUE LEDs</b>												
3044	Blue	Blue	Diffused	20.0	40.0	20	4.5	5.5	20	430	60	B
3045	Blue	Clear	Non Diffused	40.0	90.0	20	4.5	5.5	20	430	16	B
<b>T1 3/4 (5mm) WHITE LEDs</b>												
3049	White	Clear	Non Diffused	450.0	800.0	20	3.5	4.0	20	475	30	B

## Absolute Maximum Ratings ( $T_A=25^\circ\text{C}$ )

Parameter	Blue	White
Power Dissipation (mW)	105	120
Derating (mW/°C) From 25°C (1) From 50°C		
Average Forward Current (mA)	30	30
Peak Forward Current (mA)	200	100
Operating Temperature (°C)	-40/+85	-40/+80
Storage Temperature (°C)	-40/+85	-40/+100
Reverse Voltage (IR = 100μA)	5	5
Soldering Temperature (1.6mm from body)	260°C for 5 seconds	



WILBRECHT  
ELECTRONICS, INC.

LED  
DIVISION