

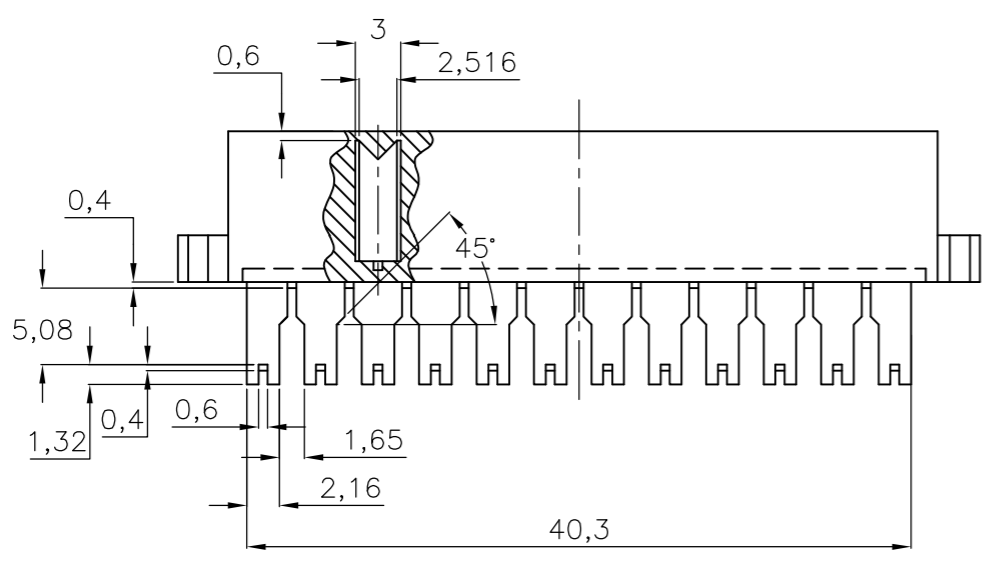
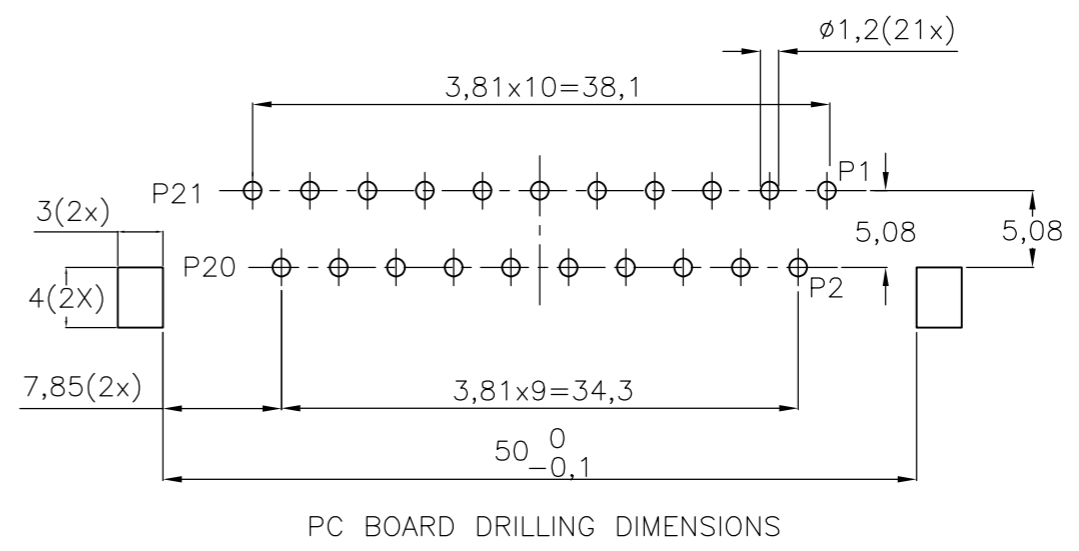
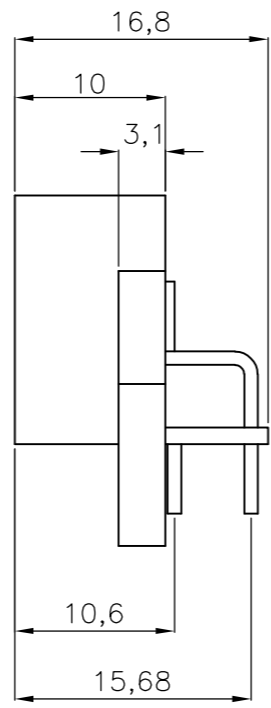
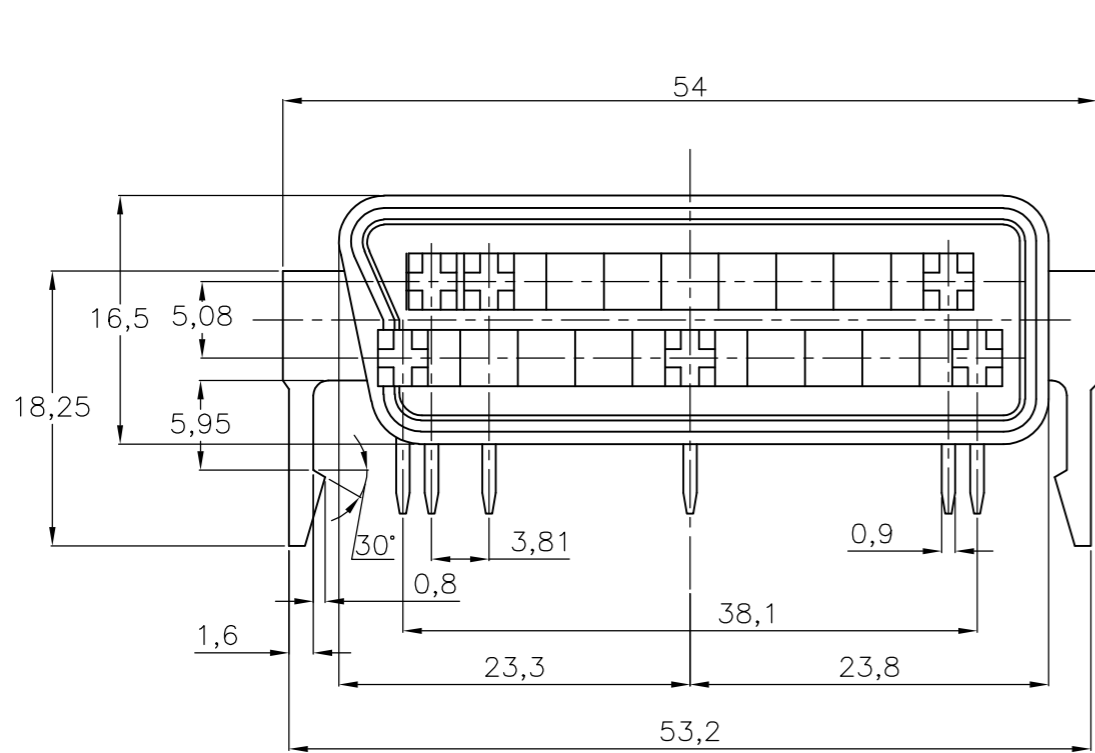
THIS DRAWING IS UNPUBLISHED. RELEASED FOR PUBLICATION  
 © COPYRIGHT BY TYCO ELECTRONICS CORPORATION. ALL INTERNATIONAL RIGHTS RESERVED.

LOC	DIST	REVISIONS					
		P	LTR	DESCRIPTION	DATE	DWN	APVD
H	-		C1	ECR-06-000709	11-01-06	PW	JB
			C2	ECR-08-014299	08-09-08	AEG	WRV
			D	ECR-09-005798	12-03-09	AEG	BSK

MATERIAL  
 INSULATOR: PC  
 CONTACT: BRONZE  
 CONTACT PLATING: TIN PLATED

SPECIFICATION  
 CURRENT RATE: 3A/250V AC  
 INSULATOR RESISTANCE: 1,5GOhm AT 500V DC 1MIN

CONTACT RESISTANCE: (BRONZE) 11,5mOhm AT 2V DC 100mA  
 (PHOSPHOR BRONZE) 10,9mOhm AT 2V DC 100mA



TE P.N.	REMARK
1483465-1	
OBSOLETE 9-1483465-1	FOR DISTRIBUTION USE

THIS DRAWING IS A CONTROLLED DOCUMENT.		DWN L.LOUWMAN 24OCT01	Tyco Electronics Corporation 's-Hertogenbosch, Nederland	
DIMENSIONS: mm		CHK -		
TOLERANCES UNLESS OTHERWISE SPECIFIED:		APVD E.LEIJTENS 24OCT01	NAME	
0 PLC ± - 1 PLC ± - 2 PLC ± - 3 PLC ± - 4 PLC ± - ANGLES ± -		PRODUCT SPEC -	SCART SOCKET PCB MOUNTING TYPE (LEFT ANGLE)	
MATERIAL -		FINISH -	APPLICATION SPEC -	RESTRICTED TO -
		WEIGHT -	SIZE A3	CAGE CODE 00779
		CUSTOMER DRAWING	DRAWING NO C-1483465	SCALE NTS
			SHEET 1 OF 1	REV D