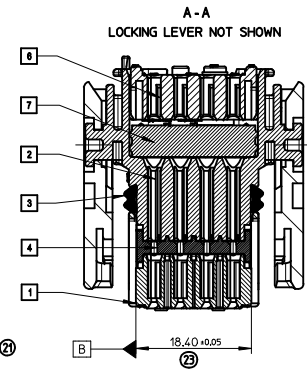
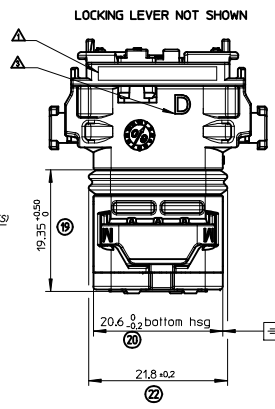
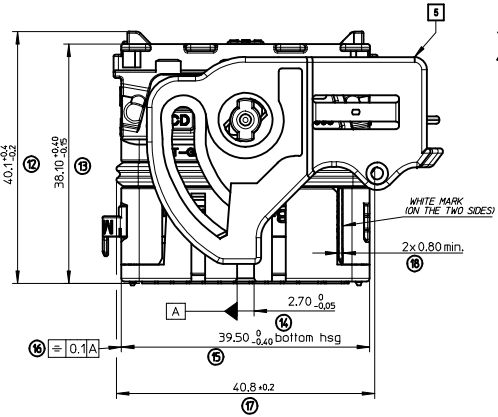
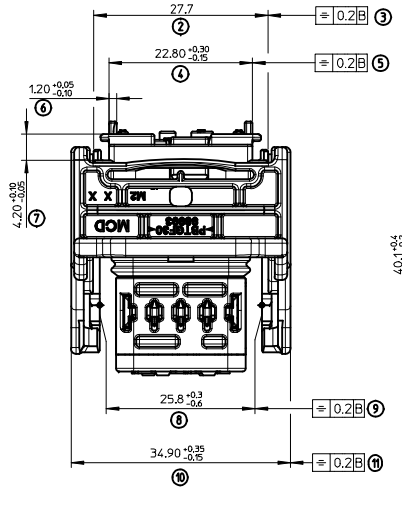


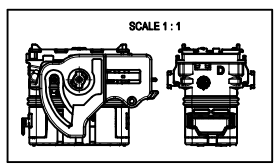
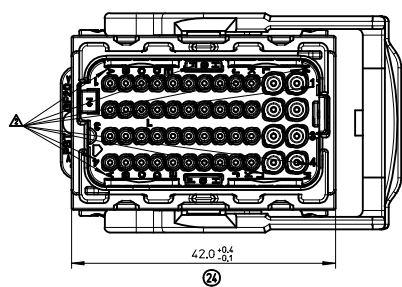
LEFT WIRE OUTPUT

MATERIAL NUMBER	COLOR
0643201311	BLACK
0643201318	GREY
0643201319	BROWN
0643201315	GREEN



RIGHT WIRE OUTPUT

MATERIAL NUMBER	COLOR
0643203311	BLACK
0643203318	GREY
0643203319	BROWN
0643203315	GREEN



- NOTES:**
- FOR ILLUSTRATION PURPOSE THE FEMALE HOUSING SHOWN IS THE RIGHT WIRE OUTPUT VERSION CODING 1
 - APPLICATION SPECIFICATION: AS-64319-001
 - WIRES EXTERNAL DIAMETER USED:
FOR CP06 TERMINAL: USE WIRES WITH AN EXTERNAL DIAMETER BETWEEN $\phi 1,25$ MM MIN AND $\phi 1,90$ MM MAX
FOR CPL5 TERMINAL: USE WIRES WITH AN EXTERNAL DIAMETER BETWEEN $\phi 1,40$ MM MIN AND $\phi 2,80$ MM MAX
 - THE CONNECTOR FITS WITH WIRE CAP (48 WAY) MOLEX P/N 0643201301
 - BLIND PLUG FOR 06 AND 15 CAVITIES (MOLEX P/N 0643251010 AND 0643251023) MUST BE USED ON THIS PART.
 - DELIVERED PRODUCT WEIGHT: 33,8 g

7	MAT SEAL	Silicon	RED
8	BACK GRID 48W	>PBT-GF20<	GREY
9	LOCKING LEVER 48W	>PBT-GF30<	BLACK
4	SECONDARY LOCK	>PBT-GF20<	GREY
3	PERIPHERAL SEAL 48W	Silicon	RED
2	BACK PART	>PBT-GF20<	BLACK
1	FRONT PART	>PBT-GF20<	COLOR LINKED TO KEYING
REF.	DESIGNATION	MATERIAL	COLOR

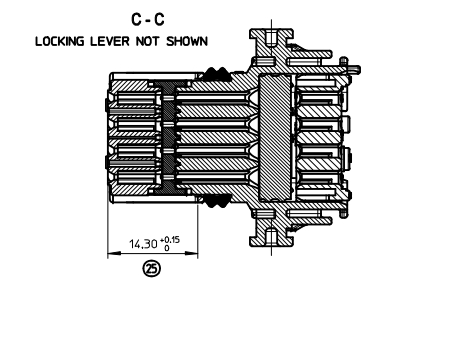
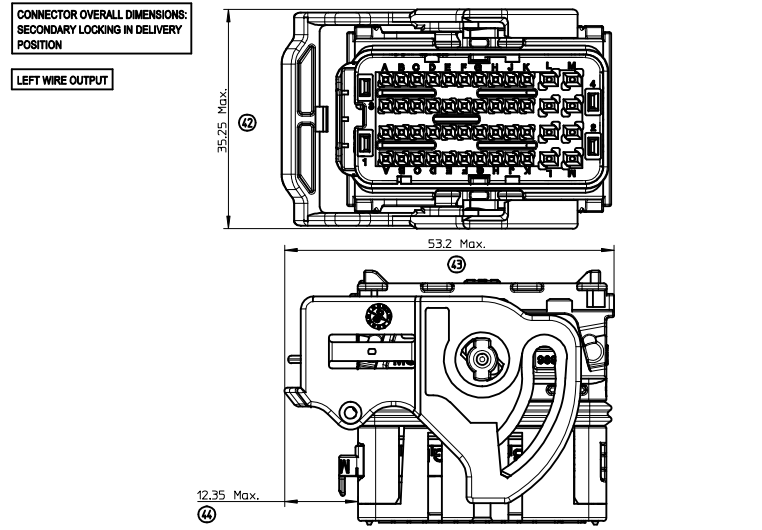
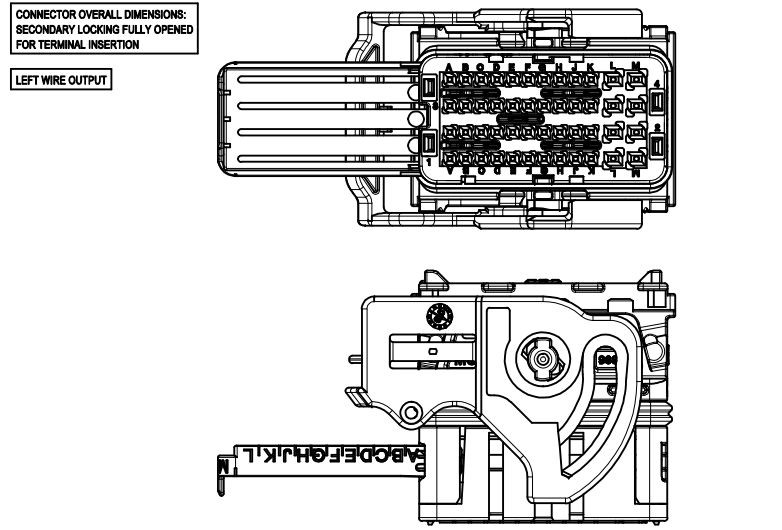
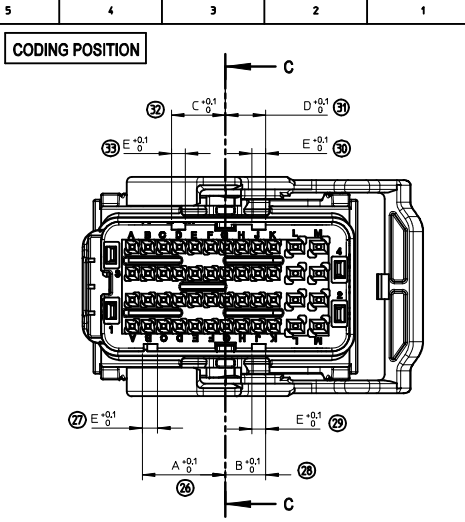
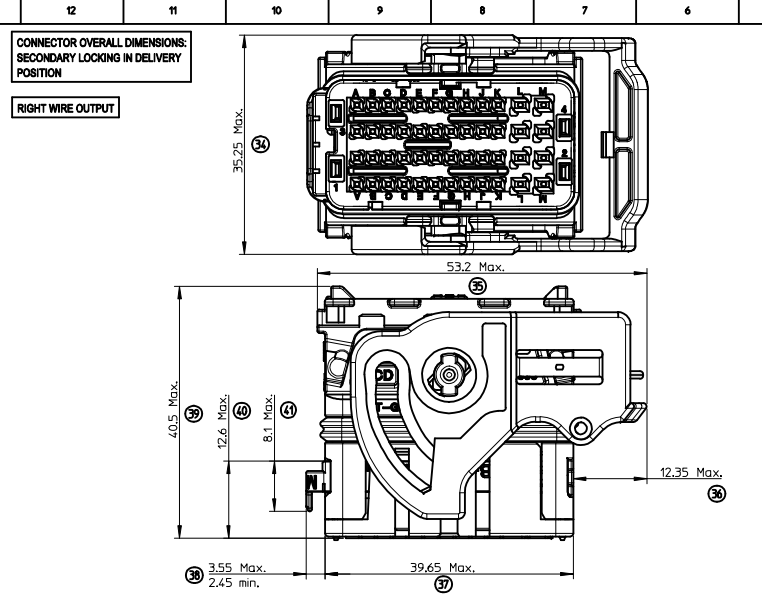
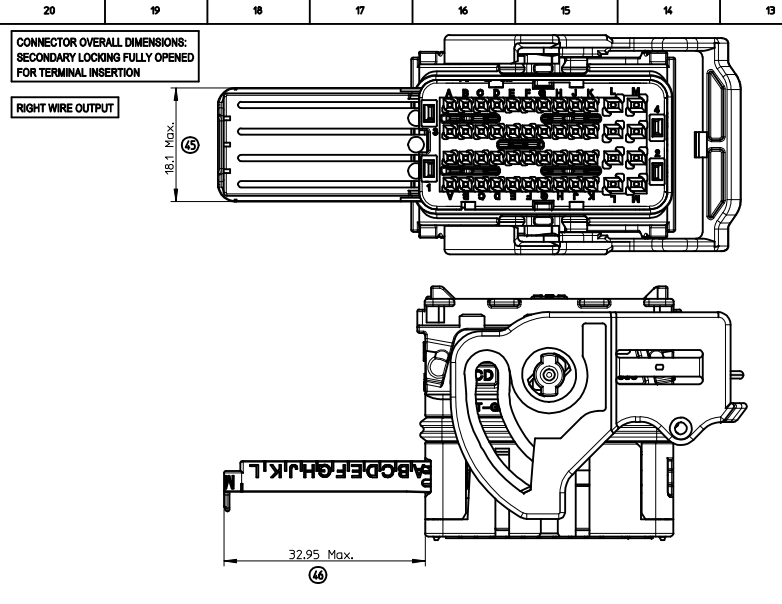
- MARKINGS:**
- Assembled part traceability Year + Day
 - Terminal cavities identification
 - Lever position indicator: 'D' LETTER VISIBLE= part with "RIGHT WIRE OUTPUT" 'G' LETTER VISIBLE= part with "LEFT WIRE OUTPUT"
 - Supplier identification
 - Material identification

REVISED IEC NO: G2015-0055 T1DRW#BOSQUAIN 2014/10/22 CHYKOPLESSIS 2014/10/22 APPR#BOUCHAN 2014/11/12	QUALITY SYMBOLS 4 PLACES \pm --- \pm --- 3 PLACES \pm --- \pm --- 2 PLACES $\pm 0,1$ \pm --- 1 PLACE $\pm 0,1$ \pm --- 0 PLACE \pm --- \pm ---	GENERAL TOLERANCES (UNLESS SPECIFIED) mm INCH	DIMENSION STYLE MM ONLY	SCALE 2,5:1	DESIGN UNITS METRIC	FIRST ANGLE PROJECTION
		ANGULAR $\pm 2^\circ$ DRAFT WHERE APPLICABLE MUST REMAIN WITHIN DIMENSIONS	DRAWN BY T. BADAROUX 2007/07/16	CHECKED BY P. GRANDCLAUD 2007/07/16	APPROVED BY C. BOUCHAN 2007/07/16	MATERIAL NO. SEE CHARTS

CMC CONNECTOR 48 WAY MAT SEAL VERSION

molex

THIS DRAWING CONTAINS INFORMATION THAT IS PROPRIETARY TO MOLEX INCORPORATED AND SHOULD NOT BE USED WITHOUT WRITTEN PERMISSION



COLOR	CODING	A	B	C	D	E
BLACK	1	13	6.4	8.6	6.4	2.2
GREY	2	10.8	8.6	10.8	8.6	2.2
BROWN	3	8.6	10.8	13	13	2.2
GREEN	4	10.8	13	6.4	6.4	2.2

TERMINALS USED				
CAVITY N°	FEMALE TERMINALS (Section mm2)	PLATING	MOLEX P/N*	min / MAX WIRE INSULATION DIAMETER (mm)
A1 to K1 A2 to K2 A3 to K3 A4 to K4	CP 0,6 0,35mm ²	Tin plated	0643221019	Ø125 min / Ø140 Max
		Gold plated	0643221229	
	CP 0,6 0,5mm ²	Tin plated	0643221039	Ø140 min / Ø170 Max
		Gold plated	0643221239	
L1 to L4 M1 to M4	CP 0,6 0,75mm ²	Tin plated	0643221029	Ø160 min / Ø190 Max
		Gold plated	0643221219	
	CP 1,5 0,5mm ² to 1mm ²	Tin plated	0643231029	Ø140 min / Ø215 Max
		Gold plated	0643231319	
CP 1,5 >1mm ² to 2mm ²	Tin plated	0643231039	Ø210 min / Ø280 Max	
	Gold plated	0643231219		

REVISED EC NO: G2015-0055 DRAWN: P. BADAROUX CHKD: P. LESSIS APPR: C. BOUCHAN	QUALITY SYMBOLS 2014/10/22 2014/10/22 2014/11/12	GENERAL TOLERANCES (UNLESS SPECIFIED) mm INCH		DIMENSION STYLE MM ONLY		SCALE 2.5:1	DESIGN UNITS METRIC	FIRST ANGLE PROJECTION	
		4 PLACES ± --- ± ---	3 PLACES ± --- ± ---	DRAWN BY T. BADAROUX	DATE 2007/07/16	TITLE CMC CONNECTOR 48 WAY MAT SEAL VERSION			
		2 PLACES ± 0.1 ± ---	1 PLACE ± 0.1 ± ---	CHECKED BY P. GRANDCLAUD	DATE 2007/07/16	APPROVED BY C. BOUCHAN			
		0 PLACE ± --- ± ---	ANGULAR ± 2°	DRAFT WHERE APPLICABLE MUST REMAIN WITHIN DIMENSIONS		MATERIAL NO. SEE SHEET 1	DOCUMENT NO. SD-64320-001	SHEET NO. 2 OF 2	