

SPECIFICATIONS

Material: Boot: APM-RUBRGLAS (transparent silicone rubber) conforms to A-A-59588, Class III Grade 50.

Temperature Range: HEXSEALS: -94°F to +400°F

Pressure Range: Dust tight and splashproof.

Resistant to: Salt spray, weather, sunlight, ozone, corona and most acids.

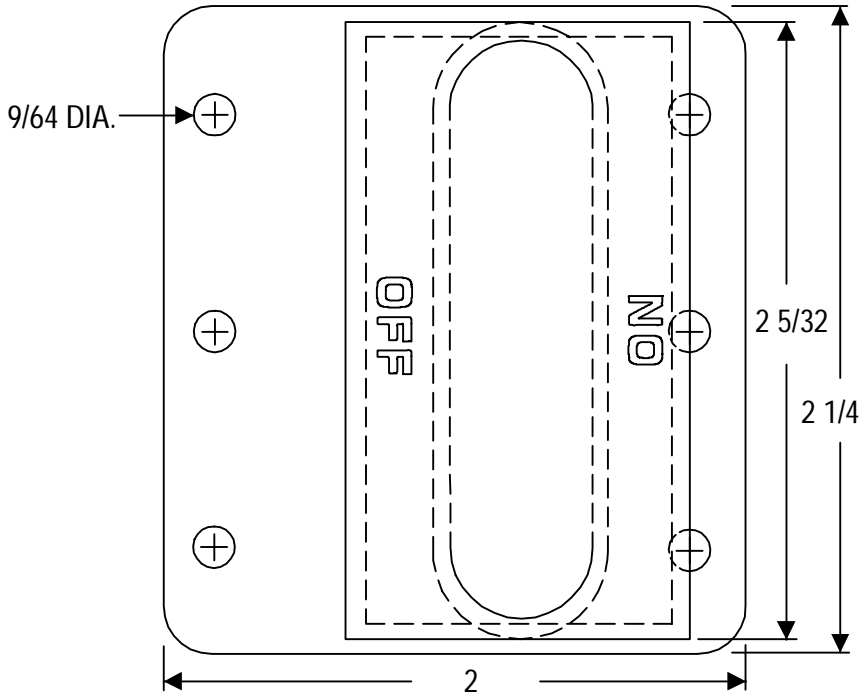
Shelf Life: Excess of 25 years.

Operational Life: 10,000 actuations, minimum.

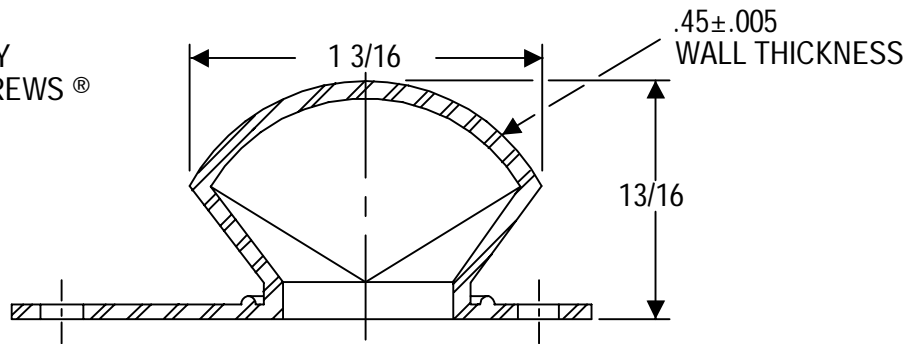
Notes:

1. Mounting screws are supplied in lengths shown unless otherwise specified.
2. New sizes and types of RUBRGLAS-SEELS® are being added regularly. Please request other types and styles as required.

Agency Recognition: Front Panel mounted Circuit Breaker Boots are UL-listed to UL Std. 50, types 1, 2, 3, 12, 12K, and 13. Back-of-Panel mounted Circuit Breaker boots are UL-listed to UL Std. 50, type 1. Also meet CSA standards.



NOTE: ORDER SEPARATELY
6 # 6-32 x 3/8 APM SEELSCREWS®



REV.	DESCRIPTION	DATE															
B	MAT'L CHANGED and WALL THICKNESS TOL. CHANGED FROM 0.010" to 0.005"	1-3-03															
A	CAD COMPUTER GENERATED	1-3-03															
<table border="1"> <tr> <td>TITLE:</td> <td>CIRCUIT BREAKER BOOT - BACK-OF-PANEL MOUNTED</td> <td>ENG. DWN.</td> <td>CARBONE</td> <td>6-13-69</td> </tr> <tr> <td>TITLE:</td> <td>APM-HEXSEAL CORPORATION</td> <td>CHKD.</td> <td></td> <td></td> </tr> <tr> <td>FINISH:</td> <td>GRADE 50 CLEAR</td> <td>SCALE</td> <td>3 : 2</td> <td>DWG. NO. 1113/43</td> </tr> </table>		TITLE:	CIRCUIT BREAKER BOOT - BACK-OF-PANEL MOUNTED	ENG. DWN.	CARBONE	6-13-69	TITLE:	APM-HEXSEAL CORPORATION	CHKD.			FINISH:	GRADE 50 CLEAR	SCALE	3 : 2	DWG. NO. 1113/43	
TITLE:	CIRCUIT BREAKER BOOT - BACK-OF-PANEL MOUNTED	ENG. DWN.	CARBONE	6-13-69													
TITLE:	APM-HEXSEAL CORPORATION	CHKD.															
FINISH:	GRADE 50 CLEAR	SCALE	3 : 2	DWG. NO. 1113/43													

THIS DRAWING COVERS PROPRIETARY ITEM AND IS THE PROPERTY OF THE APM-HEXSEAL CORPORATION. THIS DRAWING IS NOT TO BE COPIED OR USED WITHOUT THE WRITTEN APPROVAL OF AN OFFICER OF THE APM-HEXSEAL CORPORATION.

Mouser Electronics

Authorized Distributor

Click to View Pricing, Inventory, Delivery & Lifecycle Information:

[APM HEXSEAL:](#)

[1113/43](#)