

**ENCLOSED
D.C. FILTER CHOKES**

- Enclosed, 4-hole mounted chokes.
- Tolerance of 15% on both inductance & resistance.
- Inductances measured at rated D.C. current.
- Minimum 8" long leads.
- Units will exhibit less inductance at slightly higher currents or more at lower currents.
- Perfect for high voltage power supply filtering, case matches power transformers & tube audio output transformers.

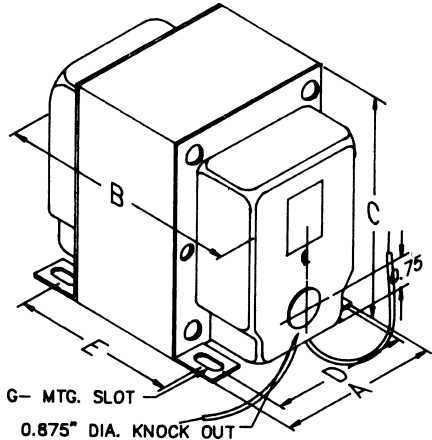
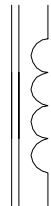


Chokes

Selection Table

Cat. No.	Inductance Henrys	D.C. Current ma.	Resistance Ohms	Max. Oper. Volts D.C.	Wt. Lbs.	Dim. Ref.
193B	12	100	155	600	2.5	X6
193C	20	100	181	600	3.25	X8
193D	8	150	75	600	3.25	X8
193G	10	150	102	800	4.25	X17
193H	5	200	65	600	2.5	X6
193J	10	200	82	800	5.5	X11
193K	2.6	300	21	800	3.25	X8
193L	5	300	57	800	5.5	X11
193M	10	300	63	800	10.5	X14
193N	3	500	35	600	5.0	X11
193P	5	500	26	800	10.75	X14
193Q	10	500	53	1000	21.0	X16
193R	.3	1000	3.50	1000	4.5	X10
193S	1.0	1000	5.75	1000	8.0	X13
193T	.05	2000	0.7	300	2.5	X6
193U	.2	2000	1.7	300	6.0	X12
193V	.15	3000	1.0	300	9.0	X14

Choke Schematic



Dimension Table

Mtg. Style	Dimensions					G-Mtg. Slot
	A	B	C	D	E	
X6	2.50	2.75	3.06	2.00	1.69	.203 x .38
X8	2.50	3.25	3.06	2.00	2.19	.203 x .38
X10	3.13	3.50	3.81	2.50	2.19	.203 x .38
X11	3.13	3.75	3.81	2.50	2.44	.203 x .38
X12	3.13	4.25	3.81	2.50	2.94	.203 x .38
X13	3.75	4.00	4.56	3.00	2.81	.203 x .38
X14	3.75	4.50	4.56	3.00	3.31	.203 x .38
X16	3.75	5.50	4.56	3.00	4.31	.203 x .38
X17	3.13	3.25	3.81	2.50	1.94	.203 x .38

CANADA

Phone: (519) 822-2960 Fax: (519) 822-0715

USA

Phone: (716) 651-0086 Fax: (716) 651-0726



© 2000