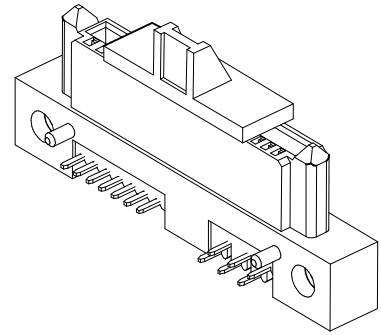
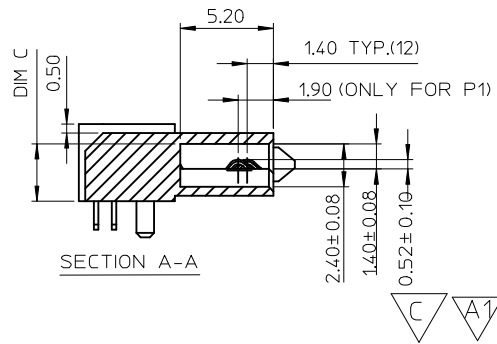
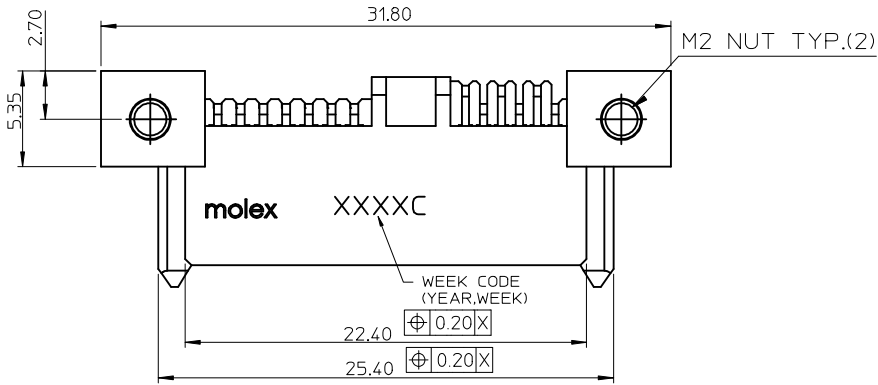


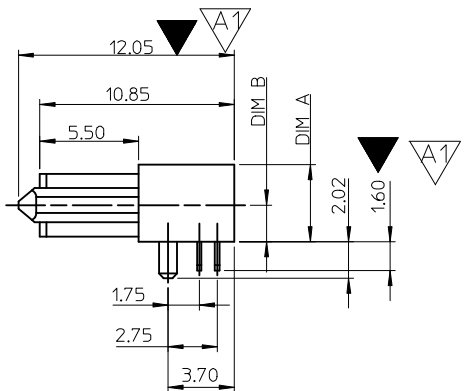
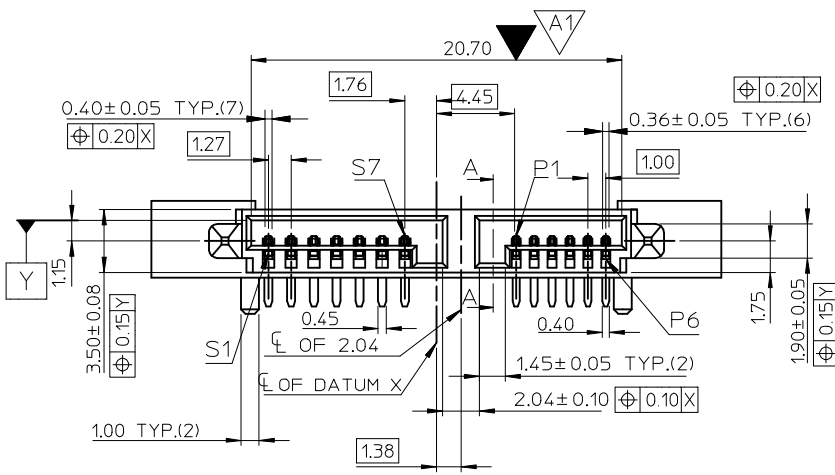
10 9 8 7 6 5 4 3 2 1

F

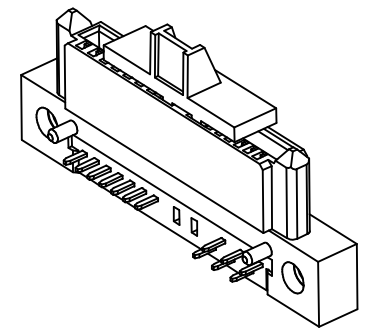


E

D

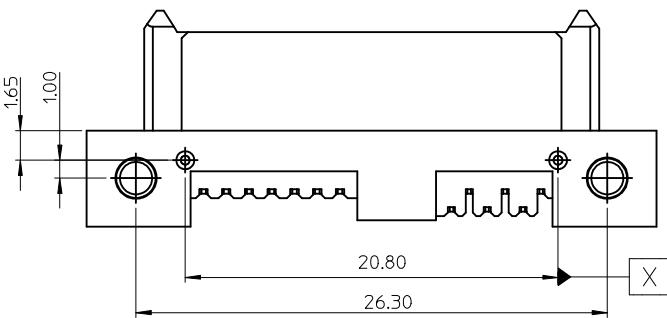


WITHOUT ALIGNMENT
(48321-2XXX)



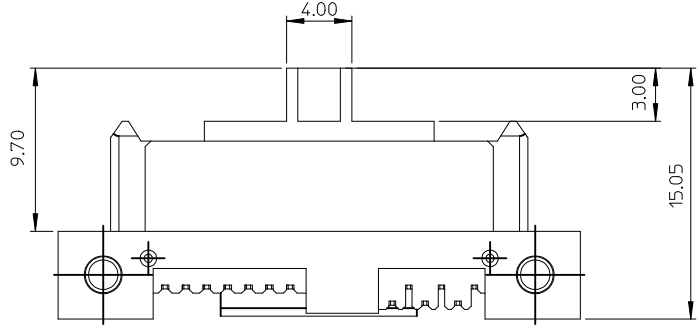
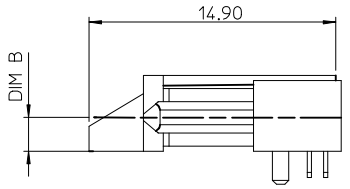
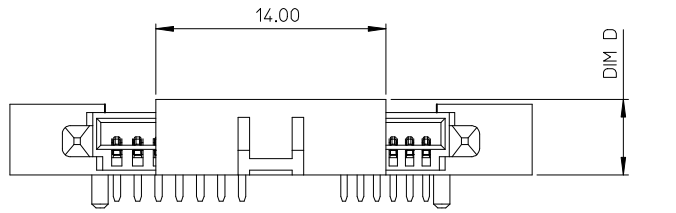
WITH ALIGNMENT
(48321-1XXX)

B



SUPPLIER		ACRON		QUALITY SYMBOLS		DIMENSION STYLE		SCALE	DESIGN UNITS	THIRD ANGLE PROJECTION	
REVISION		DESCRIPTION		GENERAL TOLERANCES (UNLESS SPECIFIED)		MM ONLY		1:1	METRIC	TITLE	
EC NO: SH2009-0089		2008/09/29		4 PLACES ± --- ± ---		DRAWN BY DATE				SLIMLINE SATA RECEPTACLE STANDARD DIP WITH NUT	
DRWN:LLIU10				3 PLACES ± --- ± ---		LINDA 2007/12/13				MOLEX INCORPORATED	
CHKD:YLZHU				2 PLACES ± 0.15 ± ---		CHECKED BY DATE				DOCUMENT NO.	
APPR:HWANG				1 PLACE ± 0.15 ± ---		ALLEN LIN 2007/12/17				SHEET NO.	
				ANGULAR ± 2 °		APPROVED BY DATE				1 OF 2	
				DRAFT WHERE APPLICABLE MUST REMAIN WITHIN DIMENSIONS		EICK LAN 2007/12/17				E-48321-001	
						MATERIAL NO.				SEE TABLE	
						SIZE				THIS DRAWING CONTAINS INFORMATION THAT IS PROPRIETARY TO MOLEX INCORPORATED AND SHOULD NOT BE USED WITHOUT WRITTEN PERMISSION	
						A3					

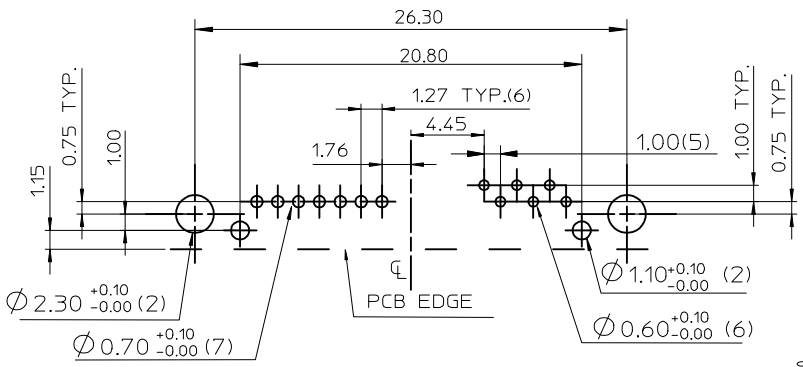
9 8 7 6 5 4 3 2 1



P/N	PLATING OPTIONS	DIM A	DIM B	DIM C	DIM D	DIM E	PIN ALIGNMENT	WITHSTANDING MFG TEST	ACRON P/N
48321-1000	GOLD FLASH	3.50	1.25	2.40	3.80	0.35	YES	NO	SAT01-A3-R0000
48321-1001	15 MICROINCH							NO	SAT01-A3-R0020
48321-1002	30 MICROINCH							YES	SAT01-A3-R0030
48321-2000	GOLD FLASH	4.25	2.00	3.15	4.55	0.40	NO	NO	SAT01-A3-R0101
48321-2001	15 MICROINCH							NO	SAT01-A3-R0121
48321-2002	30 MICROINCH							YES	SAT01-A3-R0131

NOTES:

- MATERIAL:
 - HOUSING & CAP: LIQUID CRYSTAL POLYMER, 6130(L), 30% GLASS FILLED, UL94V-0, COLOR: BLACK.
 - TERMINAL: 0.25mm THICKNESS, PHOSPHOR BRONZE C5210EH.
 - NUT: ZINC ALLOY.
 - ALIGNER: LIQUID CRYSTAL POLYMER, 6130(L), 30% GLASS FILLED, UL94V-0, COLOR: BLACK.
- PLATING:
 - TERMINAL:
 - CONTACT AREA: SEE TABLE.
 - SOLDER TAIL: MATTE TIN PLATED, THICKNESS=100 MICROINCH MIN/2.54 MICROMETER MIN.
 - UNDER PLATE: NICKEL(Ni) PLATED, THICKNESS=50 MICROINCH MIN/1.27 MICROMETER MIN.
 - NUT: NICKEL(Ni) PLATED, THICKNESS=50 MICROINCH MIN/1.27 MICROMETER MIN.
- SCREW MEETS TORQUE WITHSTANDED 2.5 kgf-cm MIN.
- RECOMMENDED PCB THICKNESS: 1.20±0.05mm.
- PRODUCT SPECIFICATION REFER TO PS-48321-001.
- TEST SUMMARY REFER TO TS-48321-001.
- PACKAGING SPECIFICATION REFER TO PK-48321-001.
- MATES WITH: SERIES 47300.
- LEAD FREE & RoHS COMPLIANT PRODUCT.



RECOMMENDED PC BOARD LAYOUT
TOLERANCE: ±0.05mm(TOP VIEW)

SEE SHEET1	2008/08/20
EC NO: SH2009-0089	2008/08/09/02
DRW: LLIU10	
CHKD: YLZHU	
APPR: HWANG	2008/09/29
REV	DESCRIPTION

QUALITY SYMBOLS	▽=0
	∇=0
GENERAL TOLERANCES (UNLESS SPECIFIED)	mm
	INCH
	4 PLACES ± --- ± ---
	3 PLACES ± --- ± ---
	2 PLACES ± 0.15 ± ---
1 PLACE ± 0.15 ± ---	
ANGULAR ± 2 °	
DRAFT WHERE APPLICABLE MUST REMAIN WITHIN DIMENSIONS	

DIMENSION STYLE		SCALE	DESIGN UNITS	THIRD ANGLE PROJECTION
MM ONLY		1:1	METRIC	
DRAWN BY	DATE	TITLE		
LINDA	2007/12/13	SLIMLINE SATA RECEPTACLE STANDARD DIP WITH NUT		
CHECKED BY	DATE	MOLEX MOLEX INCORPORATED		
ALLEN LIN	2007/12/17			
APPROVED BY	DATE	DOCUMENT NO.		
EICK LAN	2007/12/17	E-48321-001		
MATERIAL NO.		SHEET NO.		
SEE TABLE		2 OF 2		

SIZE	THIS DRAWING CONTAINS INFORMATION THAT IS PROPRIETARY TO MOLEX INCORPORATED AND SHOULD NOT BE USED WITHOUT WRITTEN PERMISSION		
A3			

10 9 8 7 6 5 4 3 2 1

F

E

D

C

B

A

F

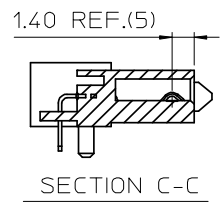
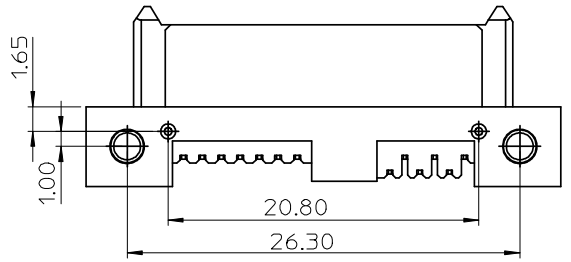
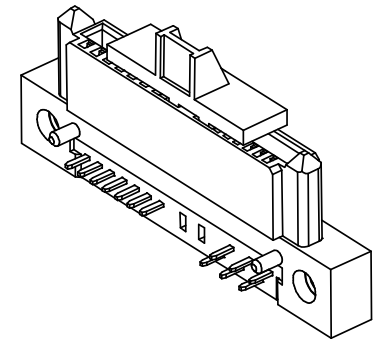
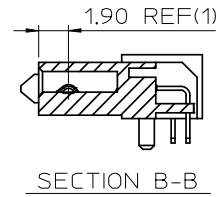
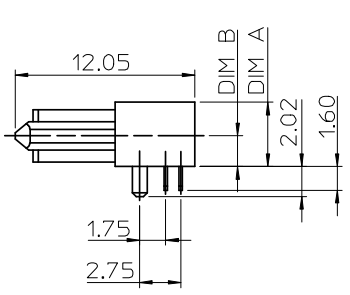
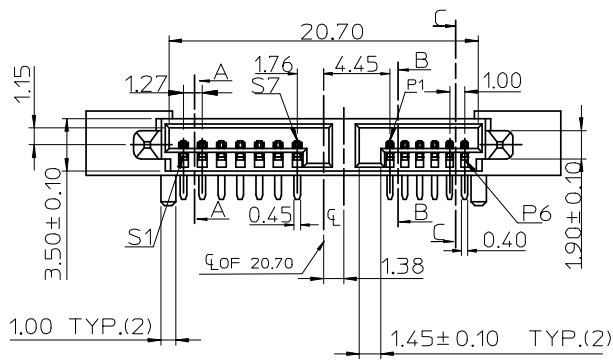
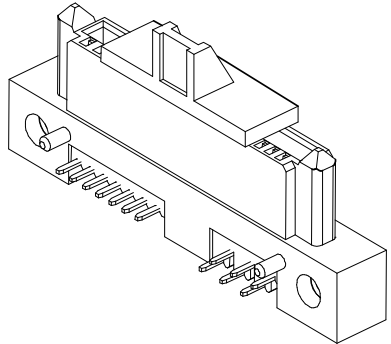
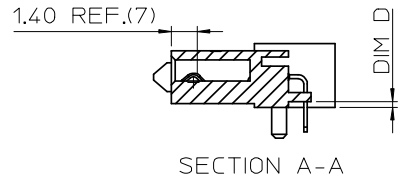
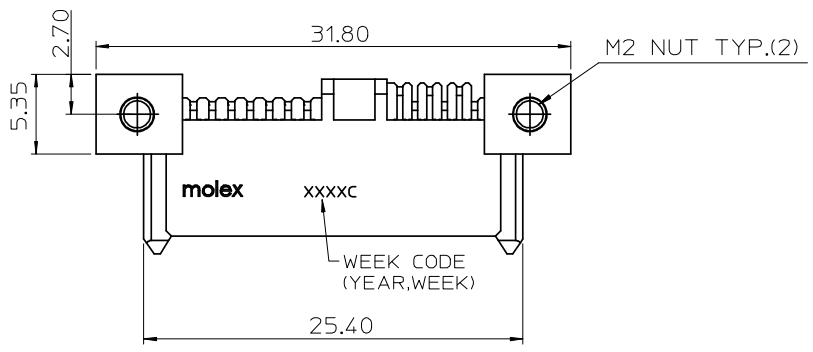
E

D

C

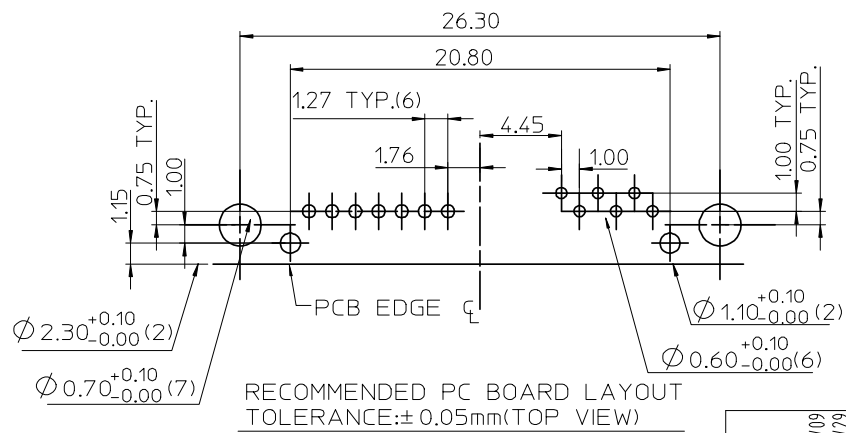
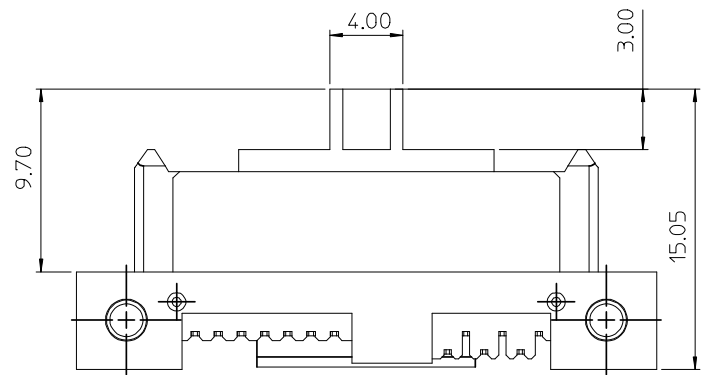
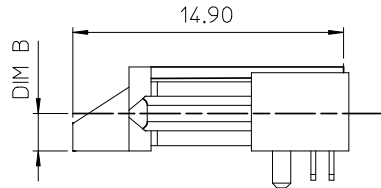
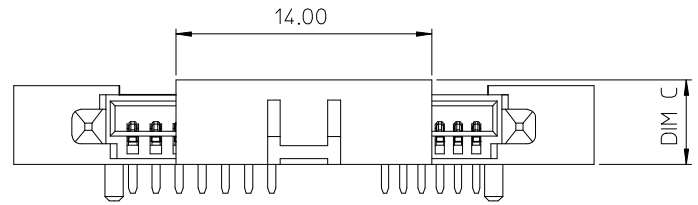
B

A



CHANGE NUT'S MATERIAL EC NO: SH2008-0659 DRW:LLIU10 CHKD:YLZHU APPR:HWANG 2008/07/29	QUALITY SYMBOLS	GENERAL TOLERANCES (UNLESS SPECIFIED)		DIMENSION STYLE	SCALE	DESIGN UNITS	THIRD ANGLE PROJECTION	
	▽=0 ∇=0	mm	INCH	MM ONLY	1:1	METRIC		
		4 PLACES ± --- ± ---	3 PLACES ± --- ± ---	2 PLACES ± 0.25 ± ---	1 PLACE ± 0.25 ± ---	DRAWN BY LINDA DATE 2007/12/13		TITLE
		ANGULAR ± 3 °		DRAFT WHERE APPLICABLE MUST REMAIN WITHIN DIMENSIONS		CHECKED BY ALLEN LIN DATE 2007/12/17		SLIMLINE SATA RECEPTACLE STANDARD DIP WITH NUT
A1	REV	SIZE A3		APPROVED BY EICK LAN DATE 2007/12/17		MOLEX INCORPORATED		
			SEE TABLE		MATERIAL NO.		DOCUMENT NO.	
					THIS DRAWING CONTAINS INFORMATION THAT IS PROPRIETARY TO MOLEX INCORPORATED AND SHOULD NOT BE USED WITHOUT WRITTEN PERMISSION		SHEET NO. 1 OF 2	

9 8 7 6 5 4 3 2 1



P/N	PLATING OPTIONS	DIM A	DIM B	DIM C	DIM D	PIN ALIGNMENT	WITHSTANDING MFG TEST
48321-1000	GOLD FLASH	3.50	1.25	3.80	0.35	YES	NO
48321-1001	15 MICROINCH						NO
48321-1002	30 MICROINCH						YES
48321-2000	GOLD FLASH	4.25	2.00	4.55	0.40	NO	NO
48321-2001	15 MICROINCH						NO
48321-2002	30 MICROINCH						YES

- NOTES:**
- MATERIAL:**
HOUSING & CAP: LIQUID CRYSTAL POLYMER, GLASS FIBER FILLED, UL94V-0, COLOR: BLACK.
TERMINAL: COPPER ALLOY.
NUT: ZINC ALLOY.
ALIGNER: LIQUID CRYSTAL POLYMER, GLASS FIBER FILLED, UL94V-0, COLOR: BLACK.
 - PLATING:**
TERMINAL:
CONTACT AREA: SEE TABLE.
SOLDER TAIL: MATTE TIN PLATED, THICKNESS=100 MICROINCH MIN/2.54 MICROMETER MIN.
UNDER PLATE: NICKEL(Ni) PLATED OVERALL.
NUT: NICKEL(Ni) PLATED, THICKNESS=50 MICROINCH MIN/1.27 MICROMETER MIN.
 - RECOMMENDED PCB THICKNESS: 1.20 ± 0.05mm.
 - PRODUCT SPECIFICATION REFER TO PS-48321-001.
 - TEST SUMMARY REFER TO TS-48321-001.
 - PACKAGING SPECIFICATION REFER TO PK-48321-001.
 - MATES WITH: SERIES 47300.
 - LEAD FREE & RoHS COMPLIANT PRODUCT.

SEE SHEET 1 EC NO: SH2008-0659 DRWN: LILIU10 CHKD: YLZHU APPR: HWANG 2008/07/09 2008/07/29	DESCRIPTION REV A1	QUALITY SYMBOLS	GENERAL TOLERANCES (UNLESS SPECIFIED)	DIMENSION STYLE	SCALE	DESIGN UNITS	THIRD ANGLE PROJECTION
		▼=0 ◻=0	mm INCH 4 PLACES ± --- ± --- 3 PLACES ± --- ± --- 2 PLACES ± 0.25 ± --- 1 PLACE ± 0.25 ± --- ANGULAR ± 3°	MM ONLY	1:1	METRIC	DRAWN BY: LINDA DATE: 2007/12/13 CHECKED BY: ALLEN LIN DATE: 2007/12/17 APPROVED BY: EICK LAN DATE: 2007/12/17
		DRAFT WHERE APPLICABLE MUST REMAIN WITHIN DIMENSIONS	SEE TABLE	TITLE SLIMLINE SATA RECEPTACLE STANDARD DIP WITH NUT	MATERIAL NO. SEE TABLE	DOCUMENT NO. SD-48321-001	SHEET NO. 2 OF 2
		THIS DRAWING CONTAINS INFORMATION THAT IS PROPRIETARY TO MOLEX INCORPORATED AND SHOULD NOT BE USED WITHOUT WRITTEN PERMISSION					