

**FEATURES:**

- Ultra compact footprint 1"x1"
- Wide Input Range2:1
- 1600 VDC Isolation
- Remote ON/OFF Function
- No Minimum Load Required
- Adjustable Output Voltage
- Operating Temperature -40°C to +85°C
- Over Current and Over Voltage Protection
- Efficiency up to 89%
- RoHS Compliant



**Models**  
**Single output**

Model	Input Voltage (V)	Output Voltage (V)	Output Current max (A)	Isolation (VDC)	Efficiency (%)
AM15C-1203SZ	9-18	3.3	4	1600	84
AM15C-1205SZ	9-18	5	3	1600	86
AM15C-1212SZ	9-18	12	1.3	1600	85
AM15C-1215SZ	9-18	15	1	1600	87
AM15C-2403SZ	18-36	3.3	4	1600	86
AM15C-2405SZ	18-36	5	3	1600	87
AM15C-2412SZ	18-36	12	1.3	1600	88
AM15C-2415SZ	18-36	15	1	1600	89
AM15C-4803SZ	36-75	3.3	4	1600	84
AM15C-4805SZ	36-75	5	3	1600	86
AM15C-4812SZ	36-75	12	1.3	1600	87
AM15C-4815SZ	36-75	15	1	1600	88

**Models**  
**Dual output**

Model	Input Voltage (V)	Output Voltage (V)	Output Current max (A)	Isolation (VDC)	Efficiency (%)
AM15C-1205DZ	9-18	±5	±1.5	1600	85
AM15C-1212DZ	9-18	±12	±0.625	1600	87
AM15C-1215DZ	9-18	±15	±0.5	1600	88
AM15C-2405DZ	18-36	±5	±1.5	1600	85
AM15C-2412DZ	18-36	±12	±0.625	1600	88
AM15C-2415DZ	18-36	±15	±0.5	1600	89
AM15C-4805DZ	36-75	±5	±1.5	1600	84
AM15C-4812DZ	36-75	±12	±0.625	1600	87
AM15C-4815DZ	36-75	±15	±0.5	1600	88

NOTE: All specifications in this datasheet are measured at an ambient temperature of 25°C, humidity<75%, nominal input voltage and at rated output load unless otherwise specified.

**Input Specifications**

Parameters	Nominal	Typical	Maximum	Units
Voltage range	12	9-18		VDC
	24	18-36		
	48	36-75		
Filter	π			
Start up time	Nominal Vin with constant resistive load		20	ms
Absolute Maximum Rating	12 Vin		36	VDC
	24 Vin		50	
	48 Vin		100	
Peak Input Voltage time			100	ms
On/Off control	ON –3 to 12VDC (or open)			
	OFF – 0 to 1.2VDC or short pin 2 to pin 3; OFF idle current – 5mA			

### Input Specifications (continued)

Parameters	Nominal	Typical	Maximum	Units
No load current			15	mA
Under voltage lockout	12 Vin ON/OFF	8.5 / 7		VDC
	24 Vin ON/OFF	17/15		
	48 Vin ON/OFF	34/35		
Input reflected ripple current		20		mA p-p

### Isolation Specifications

Parameters	Conditions	Typical	Maximum	Units
Tested I/O voltage	3 sec	1600		VDC
Case to Input	3 sec	1600		VDC
Case to Output	3 sec	1600		VDC
Resistance		>1000		MOhm
Capacitance			1200	pF

### Output Specifications

Parameters	Conditions	Typical	Maximum	Units
Voltage accuracy		±1		%
Cross Regulation (Dual Output Models)	25% load on one output - 100% load on second load	±5		%
Over voltage protection	Zener Diode Clamp	120		%
Over current protection	Full Load	170		%
Short Circuit protection		Continuous		
Short circuit restart		Auto-Recovery		
Line voltage regulation	HL-LL	±0.2		%
Load voltage regulation (Single)	0% to 100% load	±0.5		%
Load voltage regulation (Dual)	0% to 100% balanced load	±1		%
Temperature coefficient		±0.02		%/°C
Ripple & Noise	20MHz Bandwidth	100		mV p-p
Voltage adjustment range	Trim - Single output models only	±10		%

### General Specifications

Parameters	Conditions	Typical	Maximum	Units
Switching frequency	100% load	375		KHz
Operating temperature	With derating above +65°C	-40 to +85		°C
Storage temperature		-40 to +125		°C
Maximum case temperature			105	°C
Derating		2.6		%/°C
Cooling		Free air convection		
Humidity			95	% RH
Case material		Nickel-coated copper		
Weight		18		g
Dimensions (L x W x H)	1.00 x 1.00 x 0.40 inches	25.40 x 25.40 x 10.16 mm		
MTBF		> 560,000 hrs (MIL-HDBK -217F, Ground Benign, t=+25°C)		
Maximum soldering temperature	1.5mm from case for 10 sec		260	°C
Transient recovery time	Load step change 75% to 50% to 25%	250		µS
Transient recovery deviation	Load step change 75% to 50% to 25%	±3		%

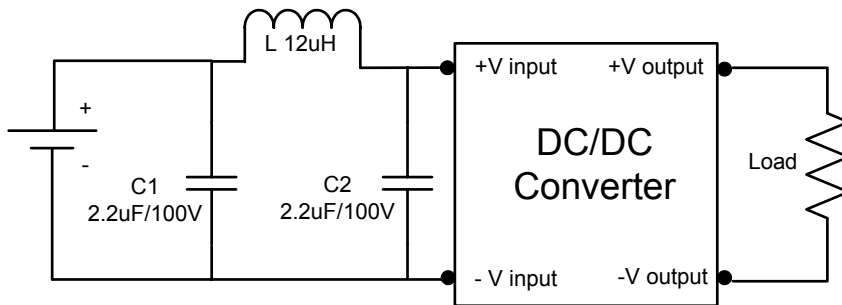
## Safety Specifications

Parameters	
Agency Approvals	CE
Standards	EN 55022 Class A
	EN 61000-4-2 Perf. Criteria A
	EN 61000-4-3 Perf. Criteria A
	EN 61000-4-4 Perf. Criteria A (external 220uF/100V cap required)
	EN 61000-4-5 Perf. Criteria A (external 220uF/100V cap required)
	EN 61000-4-6 Perf. Criteria A
	EN 61000-4-8 Perf. Criteria A
NOTE: also designed to meet IEC 60950-1:2001	

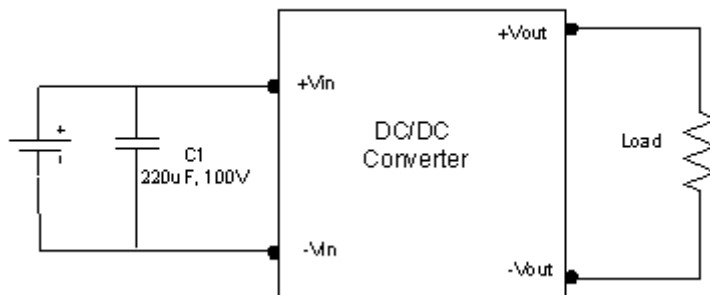
## Test Circuits

### Notes

1. Input filter (C1, C2, L) are needed to meet conducted emission (EN 55022 Class A) and should be mounted as close as possible to the converter.



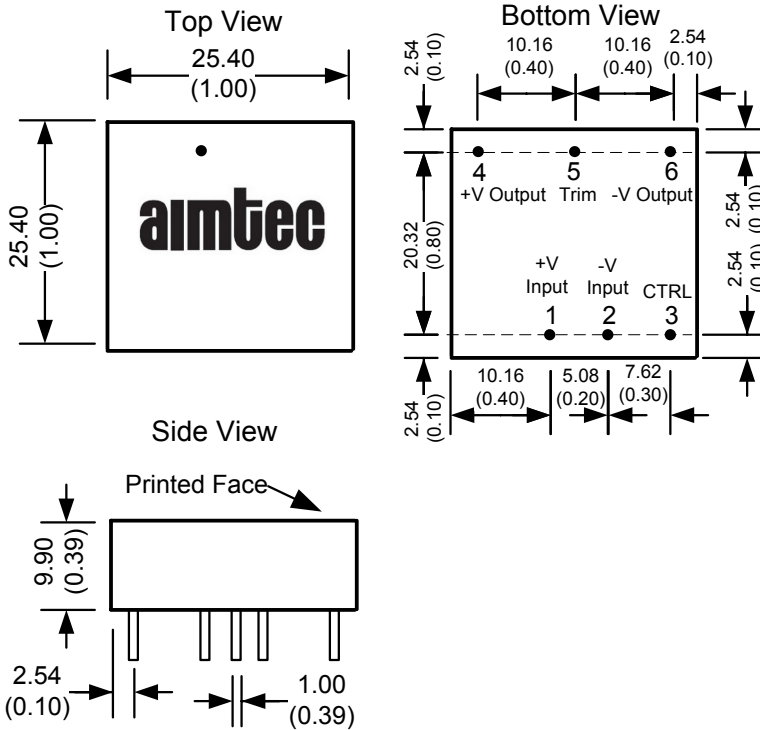
Surge:



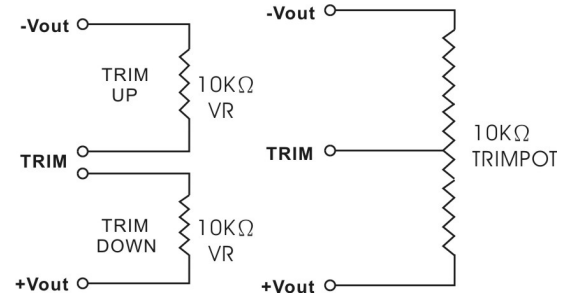
## Pin Out Specifications

Pin	Single	Dual
1	+ V input	+ V input
2	- V input	- V input
3	On/Off Control	On/Off Control
4	+ V output	+ V output
5	Trim	Common
6	- V output	- V output

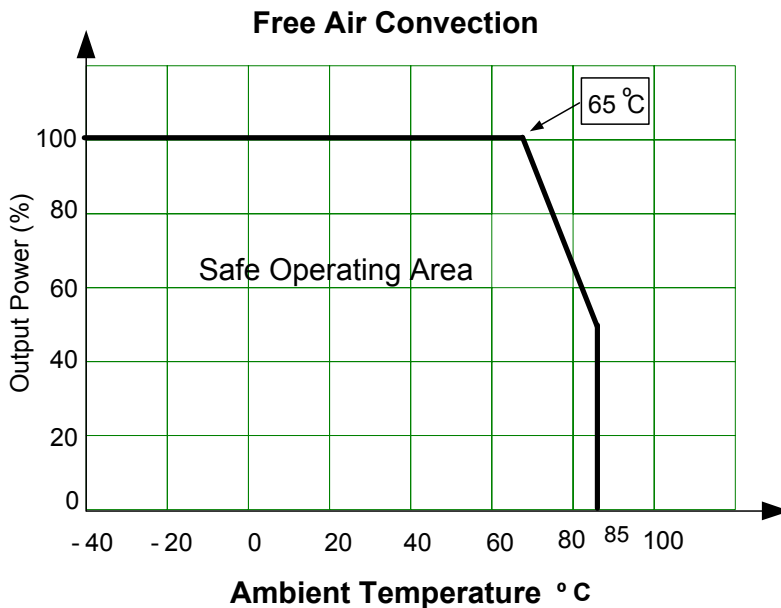
### Dimensions



### Trimming



### Derating



**NOTE:** 1. Datasheets are updated as needed and as such, specifications are subject to change without notice. Once printed or downloaded, datasheets are no longer controlled by Aimtec; refer to [www.aimtec.com](http://www.aimtec.com) for the most current product specifications. 2. Product labels shown, including safety agency certifications on labels, may vary based on the date manufactured. 3. Mechanical drawings and specifications are for reference only. 4. All specifications are measured at an ambient temperature of 25°C, humidity<75%, nominal input voltage and at rated output load unless otherwise specified. 5. Aimtec may not have conducted destructive testing or chemical analysis on all internal components and chemicals at the time of publishing this document. CAS numbers and other limited information are considered proprietary and may not be available for release. 5. This product is not designed for use in critical life support systems, equipment used in hazardous environments, nuclear control systems or other such applications which necessitate specific safety and regulatory standards other the ones listed in this datasheet.