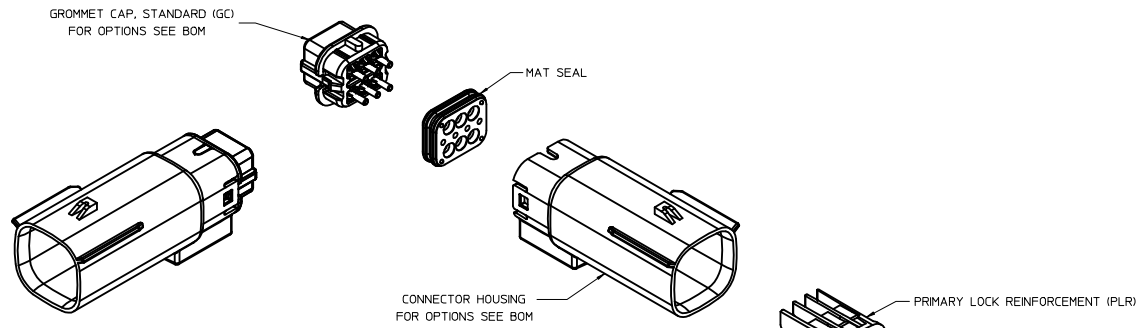
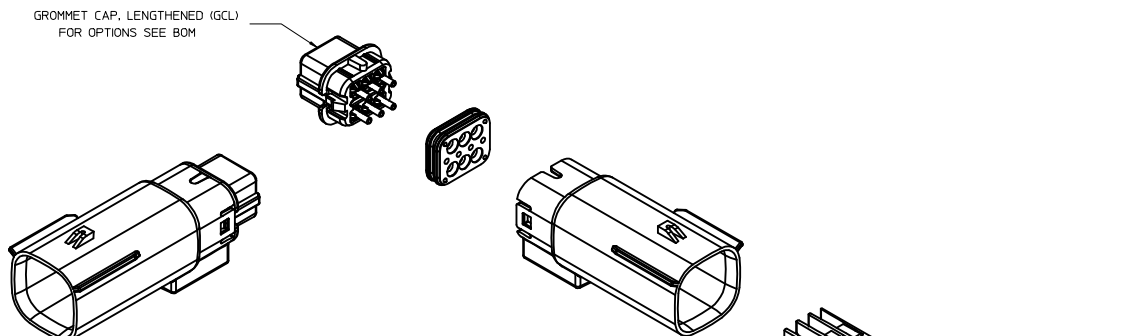


TABLE OF CONTENTS	
SHEET NO.	SHEET DESCRIPTION
1	NOTES
2	KEY CONFIGURATIONS
3	BLADE SEALED ASSEMBLY
4	SYSTEM PACKAGING
5	BACKSHELL NOTES
6	BACKSHELL
7	BACKSHELL CONFIGURATIONS
8	BOM



MX150 2X3 BLADE SEALED ASSEMBLY - STANDARD (STD)



MX150 2X3 BLADE SEALED ASSEMBLY - LENGTHENED  
UNLESS COMPONENT NOTED, SEE STANDARD ASSEMBLY

NOTES: VALID UNLESS OTHERWISE SPECIFIED

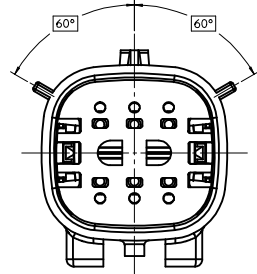
1. GENERAL:
  - a. APPLICATION SPECIFICATION SEE: AS-33472-100  
CONTAINS: PRODUCT INTRODUCTION, PRODUCT SUMMARY, CONNECTOR ASSEMBLY, PACKAGING INFORMATION, CONNECTOR MATING, SERVICE INSTRUCTIONS, ELECTRICAL CONTINUITY CHECKING, CRIMPING, AND TROUBLESHOOTING.  
-DESIGNED TO MATE WITH RECEPTACLE SEALED ASSEMBLY SPECIFIED IN MOLEX CHARTED DRAWING SD-33472-061 AND SD-33472-071.  
-FOR 1.5mm BLADE TERMINALS TO BE USED WITH THIS ASSEMBLY SEE MOLEX DRAWING SD-33000-001  
- SYSTEM TO BE USED WITH WIRE WITHIN DIAMETER RANGE OF 1.2mm TO 2.69mm.  
-ASSEMBLY SHIPPED WITH PLR IN PRE-LOCK POSITION  
-IN THE EVENT THAT THE PLR IS FOUND IN THE SEATED (FINAL LOCK) POSITION, REFER TO MOLEX SPECIFICATION PS-34646-001, AVAILABLE AT [www.molex.com](http://www.molex.com) <<http://www.molex.com>>  
-ASSEMBLY CONFORMS TO SAE/USCAR-2 REV.4 WITH THE FOLLOWING EXCEPTIONS:  
TERMINAL INSERTION FORCE FOR WIRE DIAMETER ABOVE 2.5mm NOT EXCEEDING 2.69mm SHALL NOT EXCEED 45 NEWTONS.
  - b. PRODUCT SPECIFICATION SEE: PS-33472-000  
CONTAINS: PRODUCT INTRODUCTION, PRODUCT SUMMARY, RATINGS (CURRENT, TEMPERATURE, SEALING, AND FLAMMABILITY), AND PRODUCT VALIDATION.
  - c. PACKAGING SPECIFICATION PER MOLEX DRAWING: PK-31300-435
  - d. PARTS MUST BE IN COMPLIANCE TO MOLEX CHEMICAL SUBSTANCES FOR PRODUCTS AND PACKAGING SPECIFICATION: ES-40000-5016
  - e. DATA MUST BE SUBMITTED UNDER THE MOLEX PART NUMBER TO IMDS (COMPANY ID#13255)
2. DESIGN - MATERIALS:
  - a. SEE BOM TABLE.
3. DESIGN - GEOMETRY:
  - a. THIS IS A 100% CAD GENERATED PART. THE CAD MATHEMATICAL DATA IS THE MASTER FOR THIS PART. FOR DIMENSIONAL OR ANY INFORMATION NOT SHOWN ON THIS DRAWING, ANALYZE THE CAD MODEL.
  - b. GEOMETRIC DIMENSIONS AND TOLERANCES PER ASME Y14.5M - 1994
  - c. EDGES AND UNDIMENSIONED DETAILS PER ISO13715
  - d. CORNERS SHOWN AS SHARP TO BE R 0.2 MAX.
  - e. LETTERING SHALL BE 0.15 MAX RAISED IN 0.25 MAX RECESS PAD. THIS INCLUDES RECYCLING CODE, CAVITY ID, VENDOR IDENTIFICATION, AND CUSTOMER MATERIAL NUMBER.
  - f. VISUAL DEFECTS SHALL MEET COSMETIC STANDARD PS-45499-002 (Class B).
  - g. LASER MARKING: TBD

INSPECTION NUMBER LOG  
LAST NUMBER USED: 5  
ADDED:  
REMOVED: 2

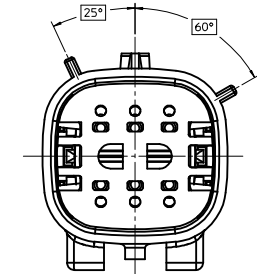
REV	DESCRIPTION
AA10	UPDATED STATUS AND COMMENTS COLUMNS
AA9	ADD NEW P/N 33482-0652
AA8	ADD NEW P/N 33482-0650 33482-0651
AA7	ADD NEW P/N 33482-0649
AA6	ADD NEW P/N 33482-0648
AA5	ADD NEW P/N 33482-0646 33482-0647
AA4	ADD NEW P/N 33482-0645
AA3	ADD NEW P/N 33482-0644
AA2	CHANGE PART NUMBER STATUS ADD NEW P/N 33482-0641 33482-0642 33482-0643

REVISED REC NO. UAU2016-0657 DRAWN APPROFF/ITT 2015/11/11 CHKD XBORUSZENSKI 2015/11/11 APPR: VIOSHY 2015/11/13	QUALITY SYMBOLS	GENERAL TOLERANCES (UNLESS SPECIFIED)	DIMENSION STYLE	SCALE	DESIGN UNITS	THIRD ANGLE PROJECTION	TITLE
	▽=0	mm INCH	MM ONLY	2:1	METRIC	☉	MX150 2X3 BLADE SEALED ASSEMBLY MAT SEAL
	▽=0	4 PLACES ± --- ± ---	DRAWN BY DATE				<b>molex</b> DOCUMENT NO. SD-33482-061 SHEET NO. 1 OF 9
	▽=0	3 PLACES ± 0.10 ± ---	MDICK 2011/07/22				
	2 PLACES ± 0.3 ± ---	CHECKED BY DATE					
	0 PLACE ± ±	APPROVED BY DATE					
AA10		ANGULAR ± 3 °	MATERIAL NO.				
		DRAFT WHERE APPLICABLE MUST REMAIN WITHIN DIMENSIONS	SEE BOM				
			SIZE				
			D				

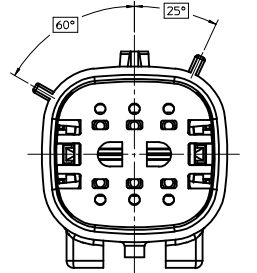
KEY CONFIGURATIONS



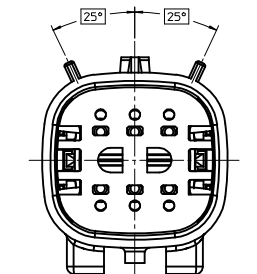
KEY A



KEY B



KEY C

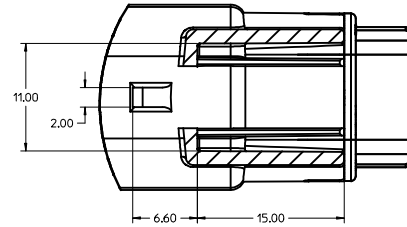
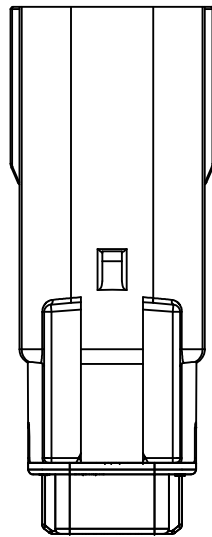
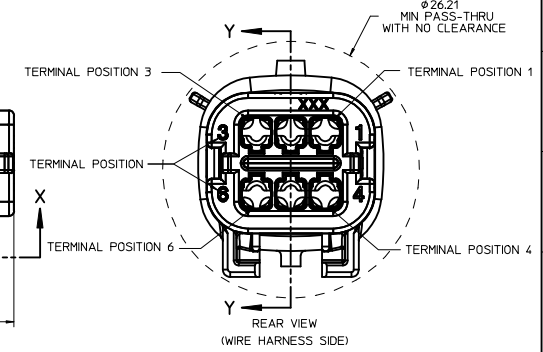
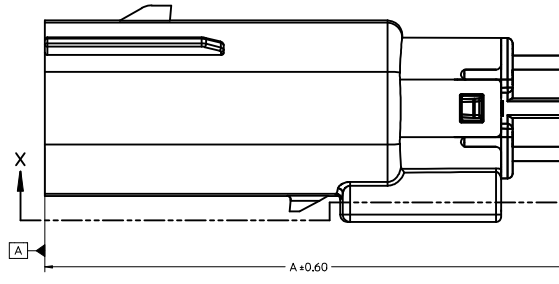
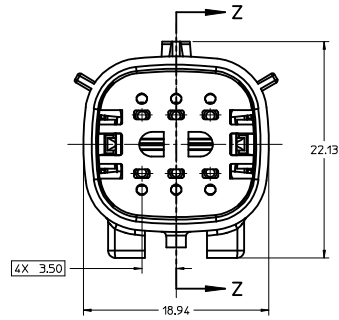
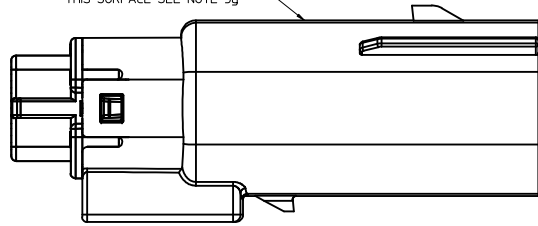


KEY D

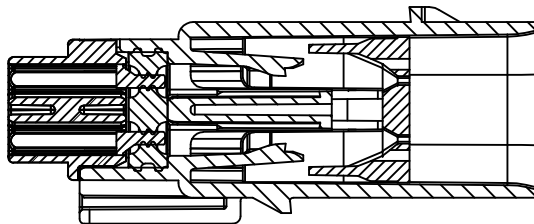
REVISED REC. NO. UAU2016-0697 DRAWN: PROFFITT 2015/11/11 CHKD: BRUSZENSKI 2015/11/11 APPR: IKOSHY 2015/11/13 AA10	QUALITY SYMBOLS	GENERAL TOLERANCES (UNLESS SPECIFIED)	DIMENSION STYLE	SCALE	DESIGN UNITS	THIRD ANGLE PROJECTION
	▽=0	mm INCH	MM ONLY	4:1	METRIC	☉
	▽=0	4 PLACES ± --- ± ---	DRAWN BY DATE	TITLE		
	▽=0	3 PLACES ± --- ± ---	MDICK 2011/07/22	MX150 2X3 BLADE SEALED ASSEMBLY MAT SEAL		
▽=0	2 PLACES ± 0.10 ± ---	CHECKED BY DATE	MATERIAL NO.			DOCUMENT NO.
▽=0	1 PLACE ± 0.3 ± ---	MDICK 2011/12/19	SEE BOM			SD-33482-061
▽=0	0 PLACE ± ±	APPROVED BY DATE	SIZE D			SHEET NO. 2 OF 9
DRAFT WHERE APPLICABLE MUST REMAIN WITHIN DIMENSIONS		THIS DRAWING CONTAINS INFORMATION THAT IS PROPRIETARY TO MOLEX INCORPORATED AND SHOULD NOT BE USED WITHOUT WRITTEN PERMISSION				

BLADE SEALED ASSEMBLY

OPTIONAL LASER MARKING ON THIS SURFACE SEE NOTE 3g

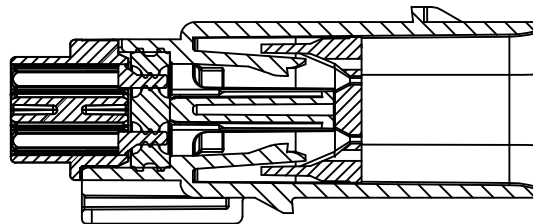


Partial X-X  
SCALE 4:1



PRIMARY LOCK REINFORCEMENT (PLR) SHOWN  
IN PRE-STAGED POSITION

SECTION Z-Z



PRIMARY LOCK REINFORCEMENT (PLR) SHOWN  
IN FINAL-LOCK POSITION

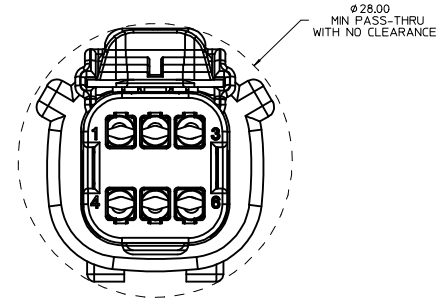
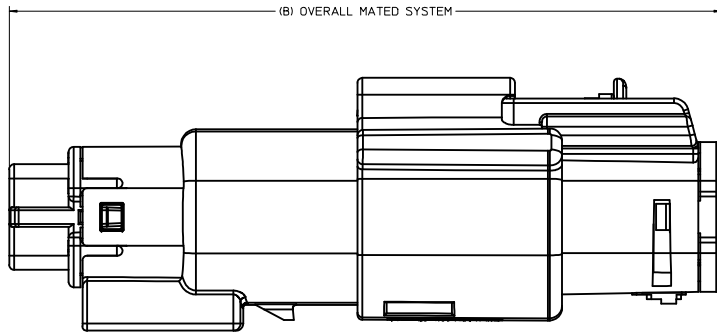
SECTION Y-Y

CHARTED DIMENSIONS	
CONFIGURATION	A
MX150 2X3 BLADE SEALED ASSEMBLY - STANDARD	53.85
MX150 2X3 BLADE SEALED ASSEMBLY - LENGTHENED	55.85

REVISED REC NO. UAU2016-0697 DRAWN/PROFF/ITT 2015/11/11 CHK/DK/BRUSZEWSKI 2015/11/11 APPR./KOSHY 2015/11/13 AA10	QUALITY SYMBOLS	GENERAL TOLERANCES (UNLESS SPECIFIED)	DIMENSION STYLE	SCALE	DESIGN UNITS	THIRD ANGLE PROJECTION
	∇=0 ∇=0 ∇=0	mm INCH 4 PLACES ± --- ± --- 3 PLACES ± --- ± --- 2 PLACES ± 0.10 ± --- 1 PLACE ± 0.3 ± --- 0 PLACE ± ±	MM ONLY	4:1	METRIC	MDCB 2011/07/22 MDCB 2011/12/19
	ANGULAR ± 3 ° DRAFT WHERE APPLICABLE MUST REMAIN WITHIN DIMENSIONS	MATERIAL NO.	DATE	TITLE	MX150 2X3 BLADE SEALED ASSEMBLY MAT SEAL	
	SEE BOM	DATE	APPROVED BY	molex SD-33482-061		SHEET NO. 3 OF 9

20 19 18 17 16 15 14 13 12 11 10 9 8 7 6 5 4 3 2 1

SYSTEM PACKAGING



CHARTED DIMENSIONS	
CONFIGURATION	B
MX150 2X3 BLADE SEALED ASSEMBLY - STANDARD	72.78
MX150 2X3 BLADE SEALED ASSEMBLY - LENGTHENED	74.79

CHARTED DIMENSIONS	
CONFIGURATION	C
MX150 2X3 RECEPTACLE SEALED ASSEMBLY WITHOUT CLIPSLLOT	30.50
MX150 2X3 RECEPTACLE SEALED ASSEMBLY WITH CLIPSLLOT	28.00

<b>REVISED</b> REC NO. UAU2016-0697 DRAWN/PROFFITT 2015/11/11 CHKD/KBRUSZENSKI 2015/11/11 APPR:VKOSHY 2015/11/13 AA10	QUALITY SYMBOLS	GENERAL TOLERANCES (UNLESS SPECIFIED)	DIMENSION STYLE	SCALE	DESIGN UNITS	THIRD ANGLE PROJECTION
	▽=0	mm INCH	MM ONLY	4:1	METRIC	☉
	▽=0	4 PLACES ± --- ± ---	DRAWN BY DATE			
	▽=0	3 PLACES ± --- ± ---	MDICK 2011/07/22			
	2 PLACES ± 0.10 ± ---	CHECKED BY DATE				MX150 2X3 BLADE SEALED ASSEMBLY MAT SEAL <b>molex</b>
	1 PLACE ± 0.3 ± ---	MDICK 2011/12/19				
	0 PLACE ± ±	APPROVED BY DATE				
	ANGULAR ± 3 °	MATERIAL NO.	SEE BOM	DOCUMENT NO.	SD-33482-061	SHEET NO.
	DRAFT WHERE APPLICABLE MUST REMAIN WITHIN DIMENSIONS	SIZE	D	THIS DRAWING CONTAINS INFORMATION THAT IS PROPRIETARY TO MOLEX INCORPORATED AND SHOULD NOT BE USED WITHOUT WRITTEN PERMISSION		4 OF 9

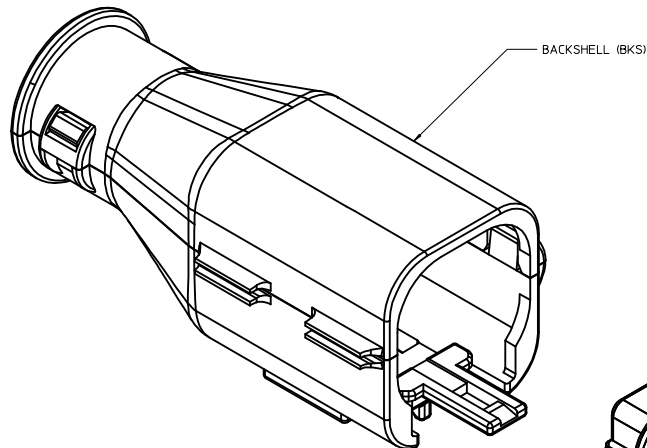
19 18 17 16 15 14 13 12 11 10 9 8 7 6 5 4 3 2 1

BACKSHELL NOTES

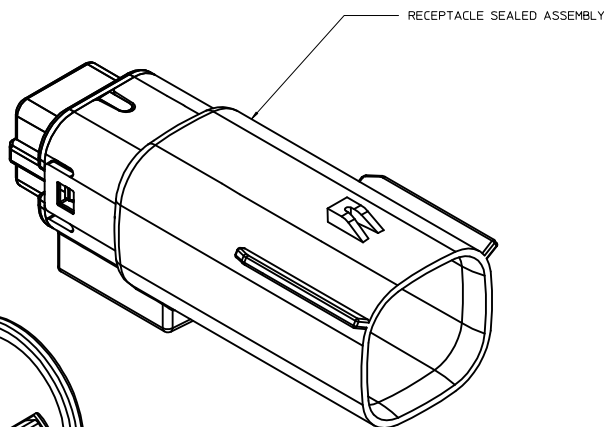
BACKSHELL NOTES: VALID UNLESS OTHERWISE SPECIFIED

1. GENERAL:

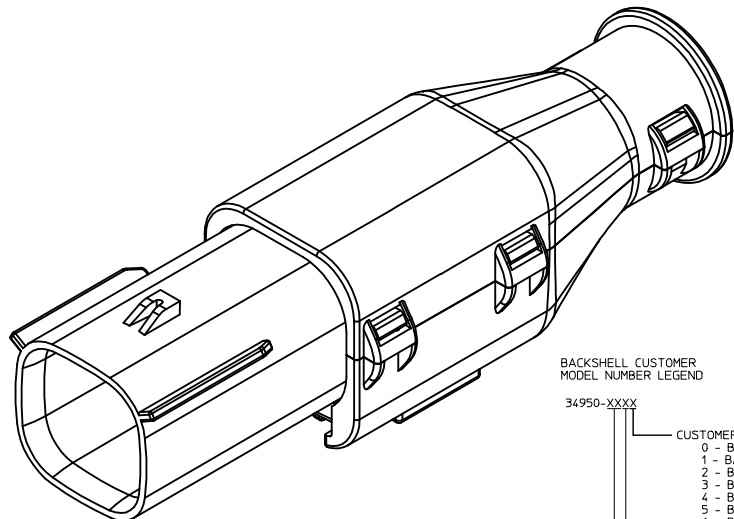
- a. APPLICATION SPECIFICATION SEE: AS-34951-001
  - DESIGNED TO MATE WITH BLADE SEALED ASSEMBLY SPECIFIED IN MOLEX DRAWING SD-33482-061.
  - SYSTEM TO BE USED WITH WIRE WITHIN DIAMETER RANGE OF 1.2mm TO 2.69mm.
  - COMPONENTS ARE OPTIONAL AND MUST BE PURCHASED SEPARATELY
  - BACKSHELL DESIGN IS OWNED BY SCHLEMMER
  - FOR ADDITIONAL INFORMATION SEE THE BACKSHELL COMPONENT DRAWING SD-34950-0001.



BACKSHELL (BKS)



RECEPTACLE SEALED ASSEMBLY



BACKSHELL CUSTOMER MODEL NUMBER LEGEND

34950-XXXX

CUSTOMER MODEL COMPONENTS

- 0 - BACKSHELL ONLY
- 1 - BACKSHELL & MX150 HOUSING KEY A ASSEMBLY
- 2 - BACKSHELL & MX150 HOUSING KEY B ASSEMBLY
- 3 - BACKSHELL & MX150 HOUSING KEY C ASSEMBLY
- 4 - BACKSHELL & MX150 HOUSING KEY D ASSEMBLY
- 5 - BACKSHELL & MX150 2X3 LENGTHENED HOUSING KEY A ASSEMBLY
- 6 - BACKSHELL & MX150 2X3 LENGTHENED HOUSING KEY B ASSEMBLY
- 7 - BACKSHELL & MX150 2X3 LENGTHENED HOUSING KEY C ASSEMBLY
- 8 - BACKSHELL & MX150 2X3 LENGTHENED HOUSING KEY D ASSEMBLY

BACKSHELL FEATURES

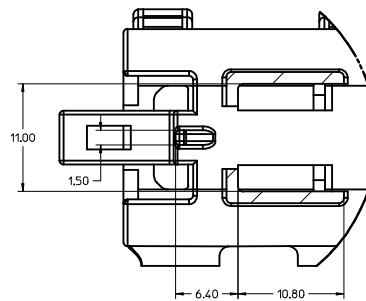
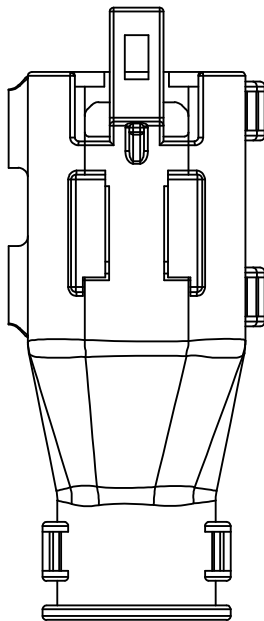
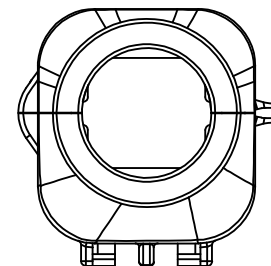
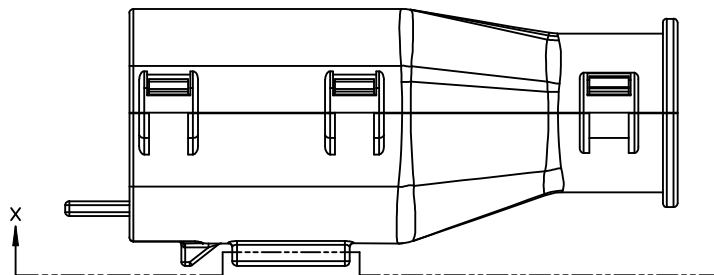
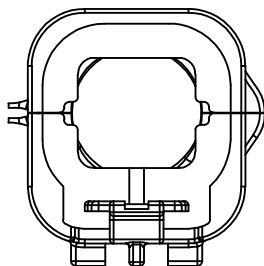
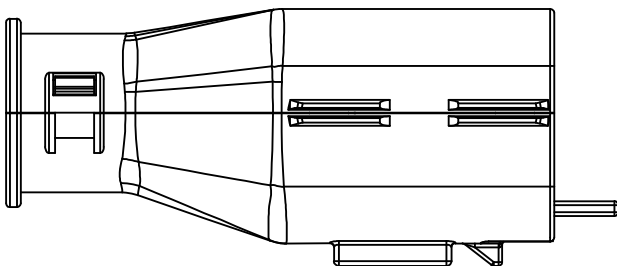
- 1 - WITH RIBS
- 2 - WITHOUT RIBS

MX150 CIRCUIT SIZE 04, 06, 08, 12, 16, 20

REVISED REC NO. UAU2016-0697 DRAWN/PROFF/ITT 2015/11/11 CHK/KBORUSZENSKI 2015/11/11 APPR./KOSHY 2015/11/13 AA10	QUALITY SYMBOLS ∇=0 ∇=0 ∇=0	GENERAL TOLERANCES (UNLESS SPECIFIED)		DIMENSION STYLE <b>MM ONLY</b>	SCALE <b>4:1</b>	DESIGN UNITS <b>METRIC</b>	THIRD ANGLE PROJECTION
		4 PLACES ± mm ± INCH 3 PLACES ± --- ± --- 2 PLACES ± 0.10 ± --- 1 PLACE ± 0.3 ± --- 0 PLACE ± ±	DRAWN BY DATE MDICK 2011/07/22 CHECKED BY DATE MDICK 2011/12/19 APPROVED BY DATE	MATERIAL NO. <b>SEE BOM</b>	DOCUMENT NO. <b>SD-33482-061</b>	SHEET NO. 5 OF 9	
DRAFT WHERE APPLICABLE MUST REMAIN WITHIN DIMENSIONS		THIS DRAWING CONTAINS INFORMATION THAT IS PROPRIETARY TO MOLEX INCORPORATED AND SHOULD NOT BE USED WITHOUT WRITTEN PERMISSION					

20 19 18 17 16 15 14 13 12 11 10 9 8 7 6 5 4 3 2 1

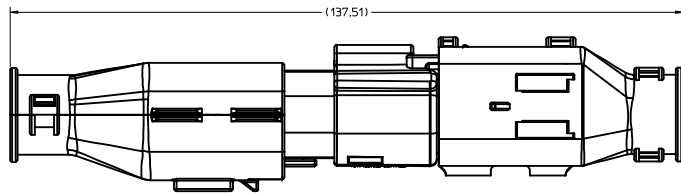
BACKSHELL  
 THE VIEWS ON THIS SHEET ARE  
 IN THE CLOSED UN-ASSEMBLED POSITION



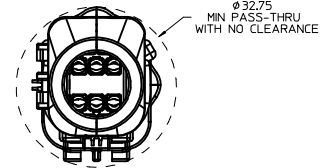
Partial X-X  
 SCALE 4:1

REVISED REC NO. UAU2016-0697 DRAWN APPROFIT 2015/11/11 CHKD KBRUSZENSKI 2015/11/11 APPR: WOSHY 2015/11/13 AA10	QUALITY SYMBOLS	GENERAL TOLERANCES (UNLESS SPECIFIED)	DIMENSION STYLE	SCALE	DESIGN UNITS	THIRD ANGLE PROJECTION
	∇=0 ∇=0 ∇=0	mm INCH 4 PLACES ± --- ± --- 3 PLACES ± --- ± --- 2 PLACES ± 0.10 ± --- 1 PLACE ± 0.3 ± --- 0 PLACE ± ±	MM ONLY	4:1	METRIC	DRAWN BY DATE MD LCK 2011/07/22 CHECKED BY DATE MD LCK 2011/12/19 APPROVED BY DATE
	ANGULAR ± 3 ° DRAFT WHERE APPLICABLE MUST REMAIN WITHIN DIMENSIONS	MATERIAL NO.	DOCUMENT NO.	TITLE MX150 2X3 BLADE SEALED ASSEMBLY MAT SEAL <b>molex</b>		
	SEE BOM	SD-33482-061	SHEET NO.	6 OF 9		

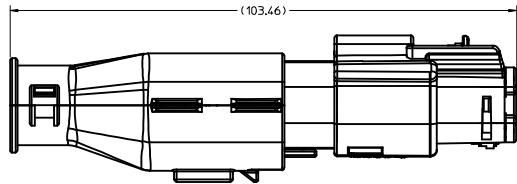
19 18 17 16 15 14 13 12 11 10 9 8 7 6 5 4 3 2 1



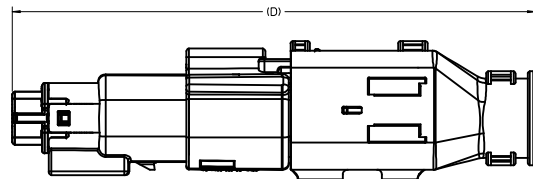
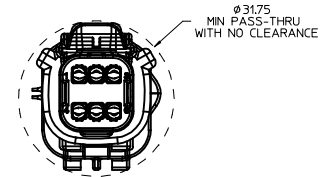
OVERALL MATED SYSTEM WITH BLADE AND RECEPTACLE BACKSHELL



BACKSHELL CONFIGURATIONS

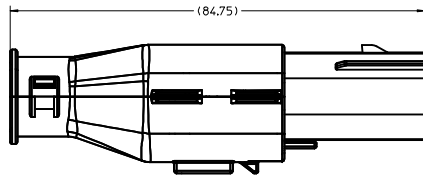
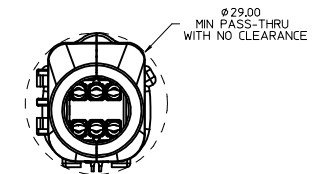


OVERALL MATED SYSTEM WITH BLADE BACKSHELL

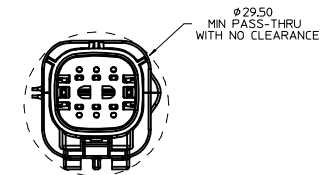


OVERALL MATED SYSTEM WITH RECEPTACLE BACKSHELL

CHARTED DIMENSIONS	
CONFIGURATION	D
MX150 2X3 BLADE SEALED ASSEMBLY - STANDARD	106.83
MX150 2X3 BLADE SEALED ASSEMBLY - LENGTHENED	108.71



BLADE SEALED ASSEMBLY WITH BLADE BACKSHELL



<b>REVISED</b> REC NO. UAU2016-0697 DRAWN/PROFIT 2015/11/11 CHKD/KRUSZENSKI 2015/11/11 APPR./KOSHY 2015/11/13 REVISIONS AA10	QUALITY SYMBOLS $\nabla=0$ $\nabla=0$ $\nabla=0$	GENERAL TOLERANCES (UNLESS SPECIFIED) <table border="1"> <thead> <tr> <th></th> <th>mm</th> <th>INCH</th> </tr> </thead> <tbody> <tr> <td>4 PLACES</td> <td><math>\pm 0.10</math></td> <td><math>\pm 0.004</math></td> </tr> <tr> <td>3 PLACES</td> <td><math>\pm 0.15</math></td> <td><math>\pm 0.005</math></td> </tr> <tr> <td>2 PLACES</td> <td><math>\pm 0.20</math></td> <td><math>\pm 0.008</math></td> </tr> <tr> <td>1 PLACE</td> <td><math>\pm 0.30</math></td> <td><math>\pm 0.012</math></td> </tr> <tr> <td>0 PLACE</td> <td><math>\pm 0.40</math></td> <td><math>\pm 0.016</math></td> </tr> </tbody> </table>		mm	INCH	4 PLACES	$\pm 0.10$	$\pm 0.004$	3 PLACES	$\pm 0.15$	$\pm 0.005$	2 PLACES	$\pm 0.20$	$\pm 0.008$	1 PLACE	$\pm 0.30$	$\pm 0.012$	0 PLACE	$\pm 0.40$	$\pm 0.016$	DIMENSION STYLE <b>MM ONLY</b>	SCALE <b>2:1</b>	DESIGN UNITS <b>METRIC</b>	THIRD ANGLE PROJECTION 
		mm	INCH																					
	4 PLACES	$\pm 0.10$	$\pm 0.004$																					
	3 PLACES	$\pm 0.15$	$\pm 0.005$																					
2 PLACES	$\pm 0.20$	$\pm 0.008$																						
1 PLACE	$\pm 0.30$	$\pm 0.012$																						
0 PLACE	$\pm 0.40$	$\pm 0.016$																						
DRAFT WHERE APPLICABLE MUST REMAIN WITHIN DIMENSIONS		DRAWN BY DATE MD LCK 2011/07/22	TITLE <b>MX150 2X3 BLADE SEALED ASSEMBLY MAT SEAL</b>																					
		APPROVED BY DATE (Signature)	<b>molex</b>																					
		MATERIAL NO. <b>SEE BOM</b>	DOCUMENT NO. <b>SD-33482-061</b>		SHEET NO. <b>7 OF 9</b>																			

ASSEMBLY DESCRIPTION	ASSEMBLY PART NUMBER	A	B	C	D	C	D	G	GCL	1	2	3	4	5	6	STATUS	COMMENTS	BACKSHELL WITH RIBS	BACKSHELL WITHOUT RIBS
KEY D, STONE GRAY	33482-0643							D	GC				3	4					
KEY C, DARK GRAY	33482-0642							C	GC				3	4					
KEY D, STONE GRAY	33482-0641							D	GC				3						
KEY A, BLACK	33482-0640	A							GC				4						
KEY A W/ LENGTHENED CAP, BLACK	33482-0639	A							GCL	1	2	3	4	5	6				
KEY C, DARK GRAY	33482-0638							C	GC				3						
KEY A, BLACK	33482-0637	A							GC			2			6				
KEY A W/ LENGTHENED CAP, BLACK	33482-0636	A							GCL				3						
KEY C W/ LENGTHENED CAP, DARK GRAY	33482-0635							C	GC				3						
KEY D W/ LENGTHENED CAP, STONE GRAY	33482-0634							D	GC										
KEY C W/ LENGTHENED CAP, DARK GRAY	33482-0633							C	GC										
KEY B W/ LENGTHENED CAP, LIGHT GRAY	33482-0632		B						GCL										
KEY A W/ LENGTHENED CAP, BLACK	33482-0631	A							GCL										
KEY A, BLACK	33482-0630	A							GC				3		6				
KEY D, STONE GRAY	33482-0629							D	GC										
KEY C, DARK GRAY	33482-0628							C	GC										
KEY A, BLACK	33482-0627	A							GC			2	3		5	6			
KEY A, BLACK	33482-0626	A							GC	1	2	3	4						
KEY B, LIGHT GRAY	33482-0625		B						GC	1				5					
KEY A, BLACK	33482-0624	A							GC						6				
KEY A, BLACK	33482-0623	A							GC					5					
KEY A, BLACK	33482-0622	A							GC				4	5	6				
KEY A, BLACK	33482-0621	A							GC	1				4	5				
KEY A, BLACK	33482-0620	A							GC	1	2	3	4	5	6				
KEY A, BLACK	33482-0619	A							GC		2	3	4	5					
KEY A, BLACK	33482-0618	A							GC					5	6				
KEY A, BLACK	33482-0617	A							GC		2								
KEY A, BLACK	33482-0616	A							GC				3						
VOID KEY	33482-0615																		
KEY D, GREEN	33482-0614							D	GC				3	4					
KEY C, BROWN	33482-0613							C	GC				3	4					
KEY B, LIGHT GRAY	33482-0612		B						GC				3	4					
KEY A, BLACK	33482-0611	A							GC				3	4					
VOID KEY	33482-0610																		
KEY D, GREEN	33482-0609							D	GC				3						
KEY C, BROWN	33482-0608							C	GC				3						
KEY B, LIGHT GRAY	33482-0607		B						GC				3						
KEY A, BLACK	33482-0606	A							GC				3						
VOID KEY	33482-0605																		
KEY D, GREEN	33482-0604							D	GC										
KEY C, BROWN	33482-0603							C	GC										
KEY B, LIGHT GRAY	33482-0602		B						GC										
KEY A, BLACK	33482-0601	A							GC										
ASSEMBLY DESCRIPTION	ASSEMBLY PART NUMBER	A	B	C	D	C	D	G	GCL	1	2	3	4	5	6				

PLANNED OBSOLESCENCE  
SEE DRAWING SD-33482-0002  
FOR REPLACEMENT P/N

REPLACEMENT P/N'S ARE:  
33482-06XX TO 33482-36XX

34950-0610

34950-0620

BLOCKED TERMINAL  
CAVITY WITH A NUMBER INDICATES BLOCKED TERMINAL POSITION  
CAVITY WITHOUT A NUMBER INDICATES OPEN TERMINAL POSITION

STANDARD PLR	NATURAL	SPS/NYLON GF20
MAT SEAL	BURNT ORANGE	INHERENTLY LUBRICATED SILICONE
GROMMET CAP, LENGTHENED	BLACK	SPS/NYLON GF20
GROMMET CAP, STANDARD	BLACK	SPS/NYLON GF20
HOUSING KEYING OPTION D	STONE GRAY	SPS/NYLON GF20
HOUSING KEYING OPTION C	DARK GRAY	SPS/NYLON GF20
HOUSING KEYING OPTION D	GREEN	SPS/NYLON GF20
HOUSING KEYING OPTION C	BROWN	SPS/NYLON GF20
HOUSING KEYING OPTION B	LIGHT GRAY	SPS/NYLON GF20
HOUSING KEYING OPTION A	BLACK	SPS/NYLON GF20

DESCRIPTION	COLOR	MATERIAL
BOM/APPLICABLE COMPONENTS TABLE		

ABREVIATION	COMPONENT
A	HOUSING KEY A
B	HOUSING KEY B
C	HOUSING KEY C
D	HOUSING KEY D
GC	GROMMET CAP, STANDARD
GCL	GROMMET CAP, LENGTHENED
M	MAT SEAL
P	PLR, STANDARD
BKS	BACKSHELL

REVISED DEC NO. 01/2016-0697 DRAWN APPROFIT IT CHYKORRUSZENSKI 2015/11/11 APPR:VKOSHY 2015/11/13 AA10	QUALITY SYMBOLS ∇=0 ∇=0 ∇=0	GENERAL TOLERANCES (UNLESS SPECIFIED) mm    INCH 4 PLACES ± .005    ± .0005 3 PLACES ± .005    ± .0005 2 PLACES ± 0.10    ± .005 1 PLACE ± 0.3    ± .01 0 PLACE ±    ±	DIMENSION STYLE MM ONLY DRAWN BY DATE MDICK 2011/07/22 CHECKED BY DATE MDICK 2011/12/19 APPROVED BY DATE	SCALE DESIGN UNITS METRIC THIRD ANGLE PROJECTION	TITLE MX150 2X3 BLADE SEALED ASSEMBLY MAT SEAL <b>molex</b>	MATERIAL NO. SEE BOM DOCUMENT NO. SD-33482-061	SHEET NO. 8 OF 9
	DRAFT WHERE APPLICABLE MUST REMAIN WITHIN DIMENSIONS						
	THIS DRAWING CONTAINS INFORMATION THAT IS PROPRIETARY TO MOLEX INCORPORATED AND SHOULD NOT BE USED WITHOUT WRITTEN PERMISSION						



ASSEMBLY DESCRIPTION	ASSEMBLY PART NUMBER	A	B	C	D	C	D	A	GC	GCL	1	2	3	4	5	6	STATUS	COMMENTS	BACKSHELL WITH RIBS	BACKSHELL WITHOUT RIBS
KEY A, BLACK	33482-0652	A							GC		1					6	PLANNED OBSOLESCENCE SEE DRAWING SD-33482-0002 FOR REPLACEMENT P/N	REPLACEMENT P/N'S ARE: 33482-06XX TO 33482-36XX	34950-0610	34950-0620
KEY A, BLACK	33482-0651	A							GC			2	4		6					
KEY A, BLACK	33482-0650	A							GC		1	3	5		6					
KEY A, BLACK	33482-0649	A							GC				4		6					
KEY C, DARK GRAY	33482-0648			C					GC						6					
KEY B, LIGHT GRAY	33482-0647		B						GC		2	3								
KEY A, BLACK	33482-0646	A							GC		2	3								
KEY A, BLACK	33482-0645	A							GC			3	4	5	6					
KEY A, YELLOW	33482-0644						A		GC											
		A	B	C	D	C	D	A	GC	GCL	1	2	3	4	5	6				

AA9

STANDARD PLR	NATURAL	SPS/NYLON GF20
MAT SEAL	BURNT ORANGE	INHERENTLY LUBRICATED SILICONE
GROMMET CAP, LENGTHENED	BLACK	SPS/NYLON GF20
GROMMET CAP, STANDARD	BLACK	SPS/NYLON GF20
HOUSING KEYING OPTION A	YELLOW	SPS/NYLON GF20
HOUSING KEYING OPTION D	STONE GRAY	SPS/NYLON GF20
HOUSING KEYING OPTION C	DARK GRAY	SPS/NYLON GF20
HOUSING KEYING OPTION D	GREEN	SPS/NYLON GF20
HOUSING KEYING OPTION C	BROWN	SPS/NYLON GF20
HOUSING KEYING OPTION B	LIGHT GRAY	SPS/NYLON GF20
HOUSING KEYING OPTION A	BLACK	SPS/NYLON GF20
DESCRIPTION	COLOR	MATERIAL

BOM/APPLICABLE COMPONENTS TABLE

<b>ENTER DESCRIPTION</b> ELEC NO. UAU2016-0697 DRAWN/PROF/ITT 2015/11/11 CHKD/KBRUSZENSKI 2015/11/11 APPR:VKOSHY 2015/11/13	QUALITY SYMBOLS	GENERAL TOLERANCES (UNLESS SPECIFIED)	DIMENSION STYLE	SCALE	DESIGN UNITS	THIRD ANGLE PROJECTION
	▽=0	4 PLACES ± mm INCH	MM ONLY	2:1	METRIC	☉
	▽=0	3 PLACES ± 0.10				
	▽=0	2 PLACES ± 0.3				
AA10		ANGULAR ± 3 °	MATERIAL NO.	DATE	DATE	DATE
		DRAFT WHERE APPLICABLE MUST REMAIN WITHIN DIMENSIONS	SEE BOM	2011/07/22	2011/12/19	
			SIZE D	THIS DRAWING CONTAINS INFORMATION THAT IS PROPRIETARY TO MOLEX INCORPORATED AND SHOULD NOT BE USED WITHOUT WRITTEN PERMISSION		

TITLE: MX150 2X3 BLADE SEALED ASSEMBLY MAT SEAL  
**molex**  
 DOCUMENT NO. SD-33482-061  
 SHEET NO. 9 OF 9