

700F Series

Tubeaxial

70x70x15mm

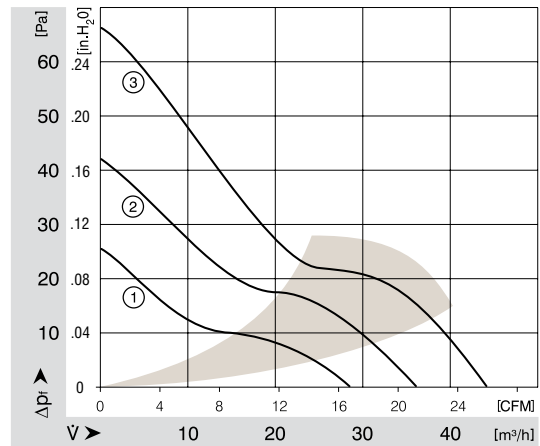
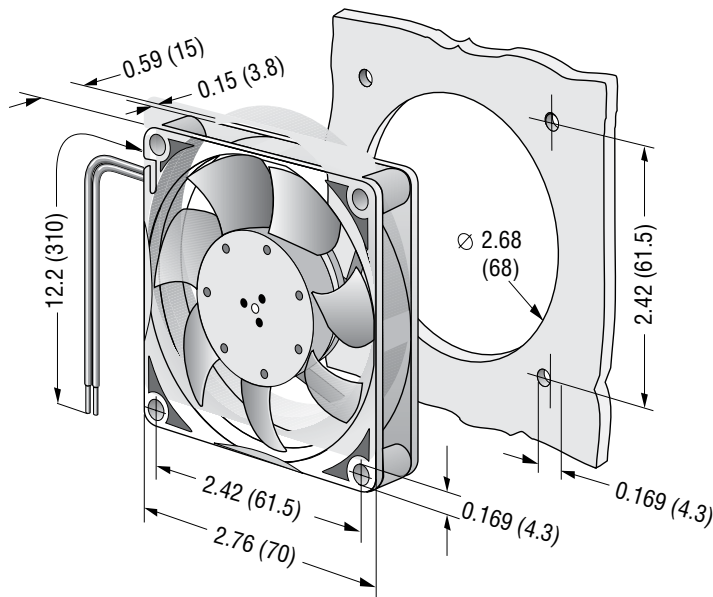


- DC fans with electronically commutated external rotor motor. Fully integrated commutation electronics.
- With electronic protection against reverse polarity. The fan only operates when the polarity is correct. Impedance-protected against blocking and overloading.
- Mounting from either face using four 4.3 mm holes.
- Fan of fiberglass reinforced plastic. PBT housing, PA impeller.
- Air exhaust over struts. Rotational direction CCW looking at rotor.
- Electrical connection via 2 leads AWG 24, TR 64. Stripped and tinned ends.
- UL, CSA, VDE approvals on most models, please contact application engineering.

Part Number	Curve	CFM @ 0	VDC	Volt. Range	Power (W)	dBA	Max. Amb. Temp. C	Bearing Type	Features	Wgt. (lbs)
712F/2L-005*	1	16.5	12	8 to 13.8	0.6	25	70	Sintec	Leads	0.12
712F/2M-006*	2	21.2	12	8 to 13.8	1.1	32	70	Sintec	Leads	0.12
712F	3	25.9	12	8 to 13.8	1.7	38	70	Sintec	Leads	0.12
714F	3	25.9	24	18 to 28	1.7	38	70	Sintec	Leads	0.12

Tacho signal /2 and /12 available on request.
Alarm signal /37 and /39 available on request.

* Version with 3-pole. Molex plug housing 22-01-2035
Molex Contacts 08-50-0113



Mouser Electronics

Authorized Distributor

Click to View Pricing, Inventory, Delivery & Lifecycle Information:

[ebm-papst:](#)

[712F](#) [714F](#) [712F/2L-005](#)