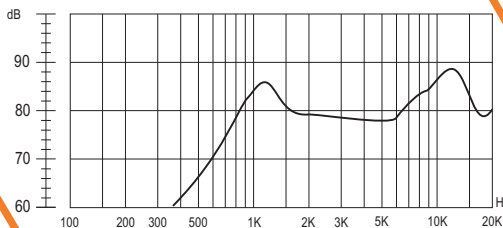
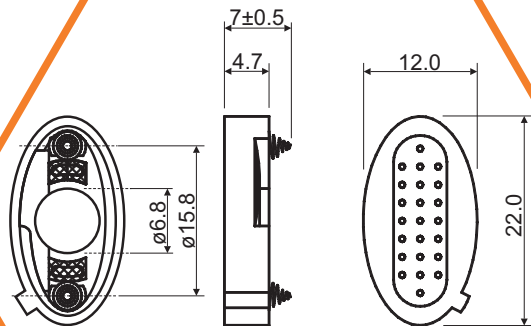


# SoniCrest

## SPEAKER SOUND GENERATORS

### HSB1222A



#### Dimension

Unit : mm  
Tolerance : ±0.3mm

#### Frequency Response

Normalized to 0.1W Input Power and  
0.1m Measuring Distance

- **Specification** (all data taken at 25°C unless otherwise specified)

Coil Impedance (Ω)	Rated Power (W)	Maximum Input Power (W)	Resonance Frequency (Hz)	★Frequency Range (Hz)	★sound Output at 1kHz (dB)	Operating Temperature (°C)	Storage Temperature (°C)
8 ± 15%	0.5	1	1200 ± 20%	1200 ~ 20000	85 ± 3	-20 ~ +80	-20 ~ +80

#### HSB1222A-8

The specification are only for 8Ω version. Specification for other impedance is available upon request.  
★value normalized to 0.1W input power and 0.1m measuring distance.