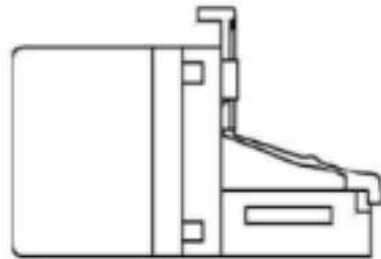
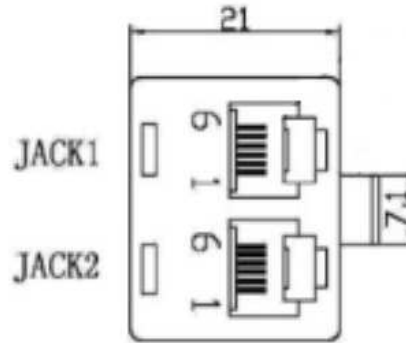
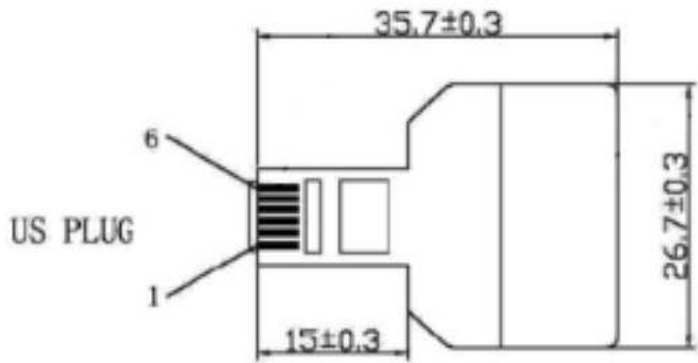




DESCRIPTION: 6P UNSHIELDED MODULAR DUPLEX ADAPTER
 MODEL NUMBER: 32-1016
 APPLICATION: FOR SPLITTING VOICE, MODEM,FAX AND DATA
 CRIMP TOOL: N/A
 IMPEDANCE: N/A
 FREQUENCY RANGE: N/A
 MATERIAL: HOUSING ABS
 PIN GOLD PLATED FU"
 RoHS COMPLIANCE: YES
 TECHNICAL DETAIL: N/A



Line gauge					
US PLUG		JACK1		JACK2	
1	WH	1	WH	1	
2	BK	2	BK	2	
3	RD	3	RD	3	
4	GN	4	GN	4	
5	YL	5	YL	5	
6	BL	6	BL	6	

		AIM-Cambridge	
	RoHS 2002/95/EC	Title: 6P Unshielded Modular Duplex Adapter	
<small>This PROPRIETARY Document is property of Emerson Network Power, Connectivity Solutions. It is confidential in nature, non-transferable, and issued with the clear understanding that it is not traced or copied without permission and is reusable upon demand.</small>	<small>UNLESS OTHERWISE SPECIFIED UNITS: METRIC</small>	Model No. 32-1016	
<small>INTERPRET DRAWING IN ACCORDANCE WITH ASME Y14.5-2009.</small>	.XX ±.51 .XXX ±.127 ANGLES ±2°	Size A	DO NOT SCALE DRAWING Date: 8/17/2013
			Sheet 1 of 1

Mouser Electronics

Authorized Distributor

Click to View Pricing, Inventory, Delivery & Lifecycle Information:

[Emerson Connectivity Solutions:](#)

[32-1016](#)