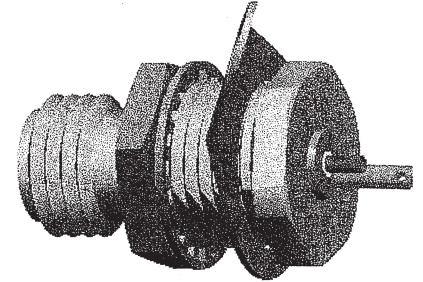
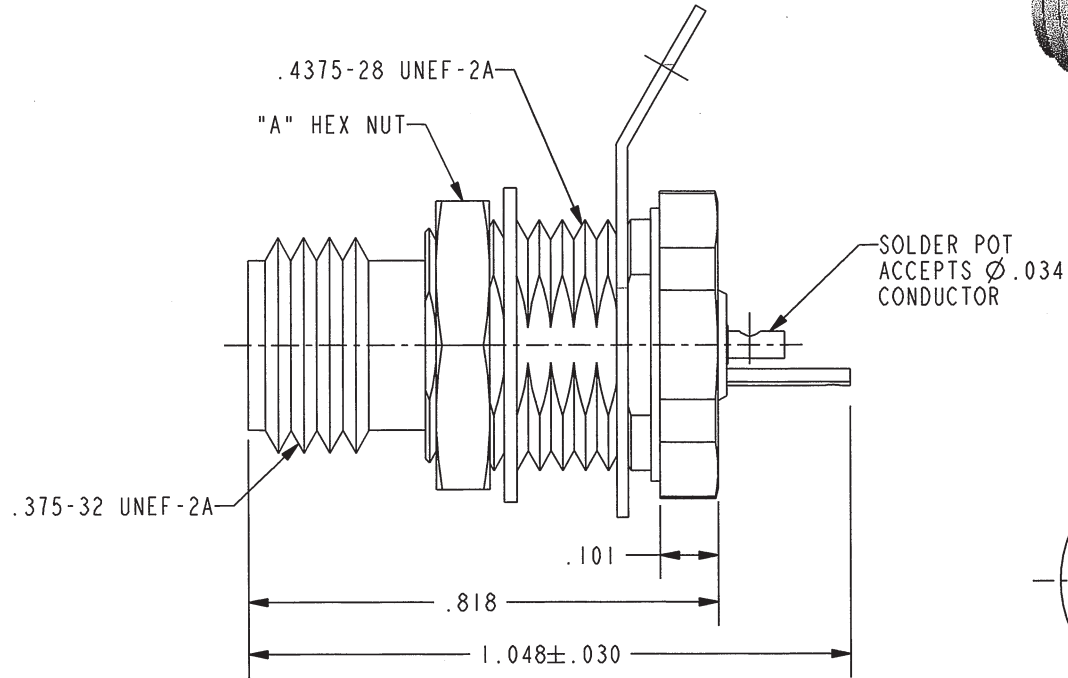
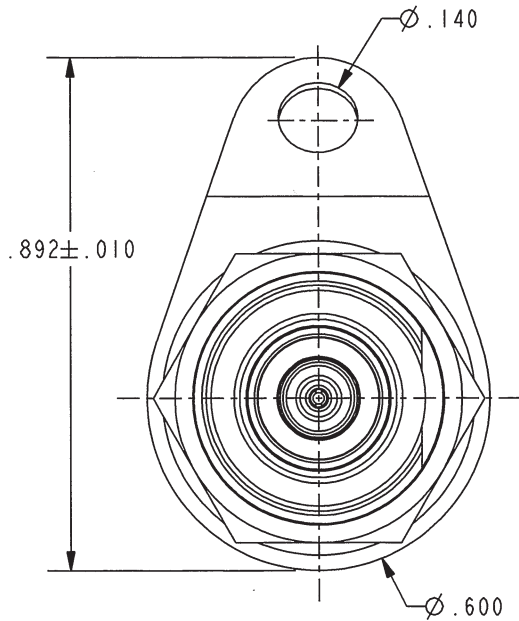


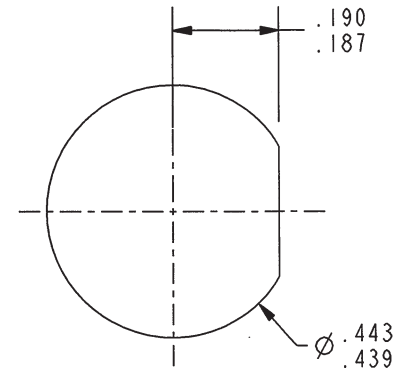
MODEL NO	"A" HEX NUT
BJ3150	.500
BJ3150S	.562

DATA CONTAINED IN THIS DOCUMENT IS PROPRIETARY TO TROMPETER ELECTRONICS INC. AND SHALL NOT BE DISCLOSED, COPIED OR USED FOR PROCUREMENT OR MANUFACTURE WITHOUT EXPRESS WRITTEN PERMISSION.

REVISIONS			
REV	DESCRIPTIONS	DATE	APPROVED
H	REVISED PER ECO # 16693		



SCALE 2/1



RECOMMENDED  
PANEL CUTOUT  
SCALE 3/1

**RED INDICATES ORIGINAL**

4. IF SAFETY WIRE TYPE REQUIRED, ADD SUFFIX "S" TO MODEL NUMBER
3. MAXIMUM PANEL THICKNESS .250
2. FINISH: TFS-1A (NICKEL)
1. SUBMINIATURE TWINAX/TRIAX THREADED REAR MOUNT SOLDER POT BULKHEAD RECEPTACLE

NOTES: UNLESS OTHERWISE SPECIFIED.

INTERPRET DRAWING PER MIL-STD-100. DIMENSIONS ARE IN INCHES AND INCLUDE FINISH THICKNESS UNLESS OTHERWISE SPECIFIED.

TOL: UNLESS SPECIFIED.  
.XX ± .02  
.XXX ± .010  
ANGLE ± 1°



DRN J. CARPENTER 07-08-08

MATERIAL:

TITLE:

CHK M.J. 9-16-09

FINISH:

BJ3150/BJ3150S

QUALITY

MANUF

SIZE

CAGE CODE

DRAWING NO.

REV.

APPROVED *[Signature]* 9/21/09

A

14949

3-0084

H

PROJ FILE NO. 3-0084

DO NOT SCALE DWG

SCALE

3/1

DATE

9-8-82

SHEET

IC

NEXT ASSY