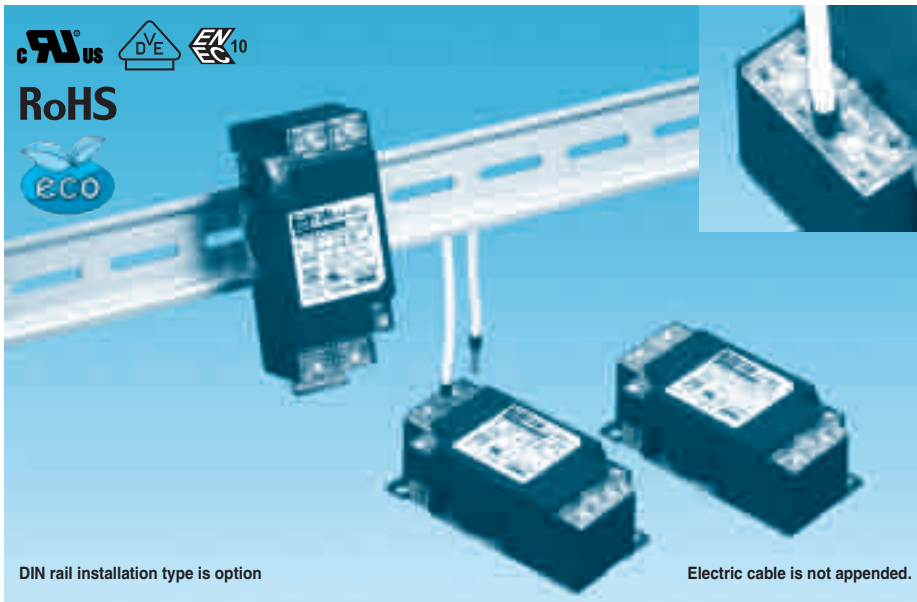


ESM series

ESM -10 -000 -□

① ② ③ ④



- ① Model Name
- ② Rated Current
- ③ Line to ground capacitor code: See table 1.1.

table 1.1 Line to ground capacitor code

Code	Leakage Current (Input 125/250V 60Hz)	Line to ground capacitor (nominal value)
000	5 μ A / 10 μ A max	Not Provided
101	12.5 μ A / 25 μ A max	100pF
221	25 μ A / 50 μ A max	220pF
331	37.5 μ A / 75 μ A max	330pF
471	50 μ A / 100 μ A max	470pF

* When the line to ground capacitor code is different, the attenuation characteristic is different.

- ④ Options
- D: DIN rail installation type

* The dimensions change when the option is set. Refer to External view.

Features of ESM series

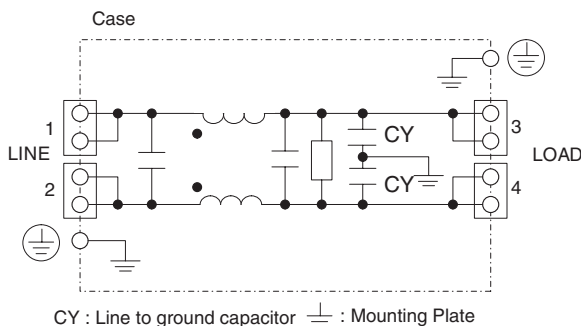
Small, Low leakage current type (1-Stage filter)

- Small EMI/EMC Filters that change input-output terminal and protection earth terminal of EA series into screwless terminal type
- Single Phase 250VAC
- Torque management is unnecessary with screwless

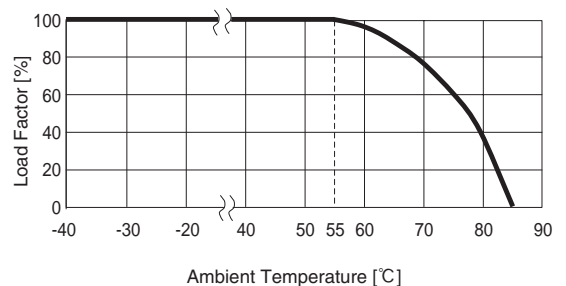
Specifications

No.	Items	ESM-03-000	ESM-06-000	ESM-10-000	ESM-16-000
1	Rated Voltage[V]	AC 1 ϕ 250 / DC250			
2	Rated Current[A]	3	6	10	16
3	Test Voltage (Terminal-Mounting Plate)	2,500 VAC (Cutoff Current = 20mA), 1minute at room temperature and humidity			
4	Isolation Resistance (Terminal-Mounting Plate)	500 VDC 500M Ω min at room temperature and humidity			
5	Leakage current 125/250V 60Hz	5 μ A/10 μ A max			
6	DC resistance	180m Ω max	110m Ω max	40m Ω max	20m Ω max
7	Safety agency approval temperatures	-25 to +85 $^{\circ}$ C (Refer to Derating Curve)			
8	Operating temperature	-40 to +85 $^{\circ}$ C (Refer to Derating Curve)			
9	Operating humidity	20 to 95%RH (Non condensing)			
10	Storage temperature/humidity	-40 to +85 $^{\circ}$ C/20 to 95%RH (Non condensing)			
11	Vibration	10 to 55Hz, 19.6m/s 2 (2G), 3min. Period, 1hour each X, Y and Z axis			
12	Impact	196.1m/s 2 (20G), 11ms Once each X, Y and Z axis			
13	Safety agency approvals	UL1283, CSA C22.2 No.8 (C-UL), DIN EN60939 VDE0565 Teil3-1, ENEC (At only AC input)			
14	Case size (without projection) /Weight	39X30X85 mm [1.54X1.18X3.35 inches] (WXHXD) /170g max (Option : -D refer to external view)			

Circuit Diagram

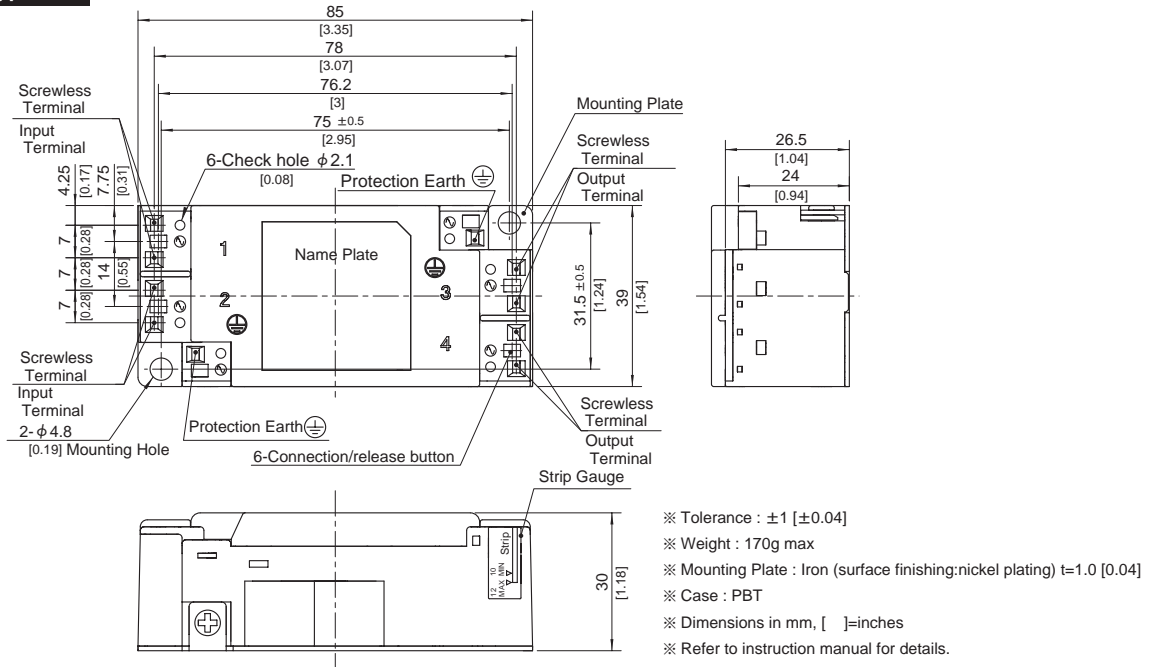


Derating Curve



External view

Standard Type



DIN rail installation Type



■Note when installing the EMI/EMC Filter on a DIN rail.

When the EMI/EMC Filter is grounded through the DIN rail, the proper noise attenuation may not be achieved.

Be sure to connect the protection earth (PE) of the EMI/EMC Filter body to the earth.



Mouser Electronics

Authorized Distributor

Click to View Pricing, Inventory, Delivery & Lifecycle Information:

Cosel:

[ESM-03-101](#) [ESM-03-101-D](#) [ESM-16-000](#) [ESM-16-000-D](#) [ESM-03-000](#) [ESM-03-000-D](#) [ESM-06-000](#) [ESM-06-000-D](#) [ESM-10-000](#) [ESM-10-000-D](#) [ESM-16-221](#) [ESM-16-221-D](#) [ESM-16-331](#) [ESM-16-331-D](#) [ESM-16-471](#) [ESM-16-471-D](#) [ESM-10-331](#) [ESM-10-331-D](#) [ESM-10-471](#) [ESM-10-471-D](#) [ESM-16-101](#) [ESM-16-101-D](#) [ESM-06-471](#) [ESM-06-471-D](#) [ESM-10-101](#) [ESM-10-101-D](#) [ESM-10-221](#) [ESM-10-221-D](#) [ESM-06-101](#) [ESM-06-101-D](#) [ESM-06-221](#) [ESM-06-221-D](#) [ESM-06-331](#) [ESM-06-331-D](#) [ESM-03-221](#) [ESM-03-221-D](#) [ESM-03-331](#) [ESM-03-331-D](#) [ESM-03-471](#) [ESM-03-471-D](#)