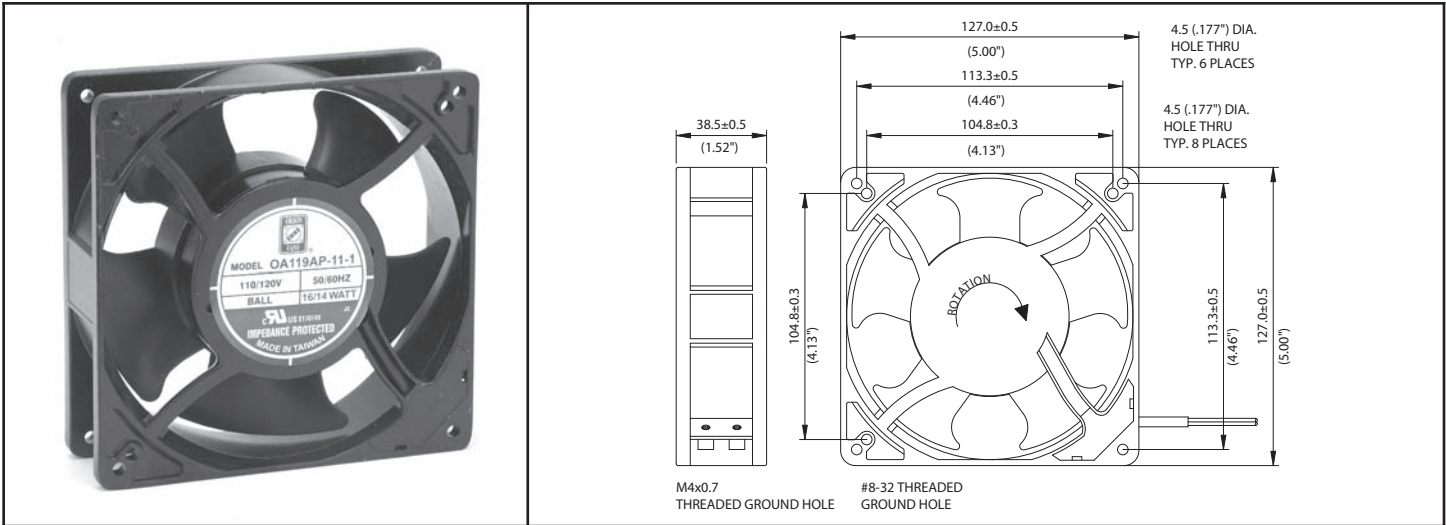


OA119 Series



AC Fan - 115V, 230V
127 x 38mm (5.0" x 1.5")



Frame	Diecast Aluminum	<u>Operating Temperature</u> Ball Bearing -20C ~ +80C Sleeve Bearing -10C ~ +50C <u>Life Expectancy</u> Ball Bearing 60,000 hours (L10 at 40C) Sleeve Bearing 30,000 hours (L10 at 40C) <u>Dual Voltage</u> Connection via 4x leads. Fans can be configured for 115V or 230V operation.	
Impeller	PBT, UL94V-O plastic		
Connection	2x Lead Wires 22 AWG or terminals		
Motor	Shaded pole, impedance protected Tachometer available (5VTTL), input 5 ~24V		
Bearing System	Dual ball or Sleeve		
Insulation Resistance	>100M ohm between lead-wire and frame (500VDC)		
Dielectric Strength	1 min at 1500 VAC, 50/60Hz		

Model Number	Speed (RPM)	Airflow (CFM)	Noise (dB)	Volts AC	Voltage Range	Watts	Max. Static Pressure (\"H2O)
OA119AP-11-1*	3000	130	46	115	80~130	14	.24
OA119AP-11-2*	2300	95	37	115	80~130	10	.15
OA119AP-11-3*	1400	74	28	115	80~130	7	.10
OA119AP-22-1*	3000	130	46	230	160~260	14	.24
OA119AP-22-2*	2300	95	37	230	160~260	10	.15
OA119AP-22-3*	1400	74	28	230	160~260	7	.10

* Indicate "TB" (Terminal Ball Bearing), "WB" (12" Wire Leads, Ball Bearing), "TS" (Terminal, Sleeve Bearing), "WS" (12" Wire Leads, Sleeve Bearing)

Mouser Electronics

Authorized Distributor

Click to View Pricing, Inventory, Delivery & Lifecycle Information:

Orion Fans:

[OA119AP-11-2WS](#) [OA119AP-11-2TS](#) [OA119AP-22-3TS](#) [OA119AP-11-3WS](#) [OA119AP-22-2TS](#) [OA119AP-11-1WS](#)