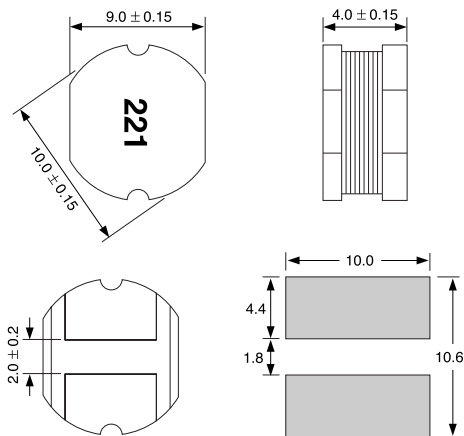


LPN1040 SERIES

SMD Nonshielded type

SHAPES & DIMENSIONS RECOMMENDED PCB PATTERN

(Dimensions in mm)



ELECTRICAL CHARACTERISTICS

Ordering Code	Inductance (μH)	Inductance TOL.(%)	Test Freq. (KHz)	DC Resistance (Ω)Max	Rated Current(A)
LPN1040T-100K	10	± 10	100	0.053	2.38
LPN1040T-150K	15			0.070	1.87
LPN1040T-220K	22			0.088	1.60
LPN1040T-330K	33			0.120	1.26
LPN1040T-470K	47			0.170	1.10
LPN1040T-680K	68			0.223	0.91
LPN1040T-101K	100			0.344	0.74
LPN1040T-151K	150			0.544	0.61
LPN1040T-221K	220			0.721	0.53
LPN1040T-331K	330			1.100	0.42
LPN1040T-471K	470			1.526	0.35

TEST EQUIPMENTS

- Inductance: Agilent 4284A LCR Meter (100KHz 0.5V)
- Rdc: HIOKI 3540 mΩ HiTESTER
- Bias Current: Agilent 4284A + Agilent 42841A
- Inductance drop = 10%typ. at rated current

OPERATING TEMPERATURE RANGE

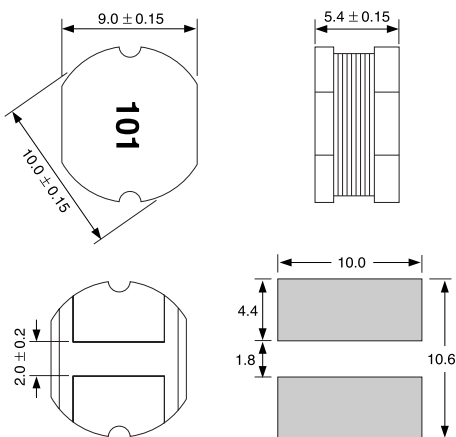
-20 ~ +85°C (Including self-generated heat)

LPN1054 SERIES

SMD Nonshielded type

SHAPES & DIMENSIONS RECOMMENDED PCB PATTERN

(Dimensions in mm)



ELECTRICAL CHARACTERISTICS

Ordering Code	Inductance (μH)	Inductance TOL.(%)	Test Freq. (KHz)	DC Resistance (Ω)Max	Rated Current(A)
LPN1054T-100K	10	± 10	100	0.060	2.60
LPN1054T-150K	15			0.080	2.27
LPN1054T-220K	22			0.100	1.95
LPN1054T-330K	33			0.120	1.50
LPN1054T-470K	47			0.170	1.28
LPN1054T-680K	68			0.220	1.11
LPN1054T-101K	100			0.350	0.97
LPN1054T-151K	150			0.470	0.78
LPN1054T-221K	220			0.730	0.66
LPN1054T-331K	330			1.150	0.52
LPN1054T-471K	470			1.480	0.42
LPN1054T-681K	680			2.250	0.28

TEST EQUIPMENTS

- Inductance: Agilent 4284A LCR Meter (100KHz 0.5V)
- Rdc: HIOKI 3540 mΩ HiTESTER
- Bias Current: Agilent 4284A + Agilent 42841A
- Inductance drop = 10%typ. at rated current

OPERATING TEMPERATURE RANGE

-20 ~ +85°C (Including self-generated heat)