

**PLEASE CHECK WWW.MOLEX.COM FOR LATEST PART INFORMATION**

**Part Number:** [0622018670](#)  
**Status:** **Active**  
**Description:** Press In Tool for Vertical Receptacle

**Documents:**  
[RoHS Certificate of Compliance \(PDF\)](#)

**General**

Product Family	Application Tooling
Series	<u>T9999</u>
Function	Insertion
Geographic Area	Global
Level of Automation	Manual
Product Name	EXTreme Ten60Power™
Tool Type	N/A
UPC	883906317935

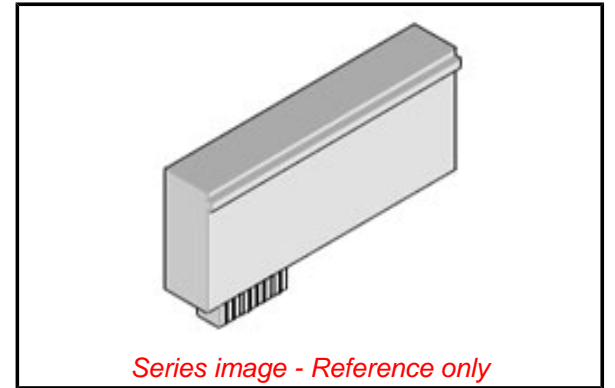
**Physical**

Net Weight	325.910/g
------------	-----------

**Material Info**

**Reference - Drawing Numbers**

Application Tooling Documents	ATS-622018670
-------------------------------	---------------



**EU ELV**

**Not Reviewed**

**EU RoHS**

**Not Reviewed**

**REACH SVHC**

Not Reviewed

**Halogen-Free**

**Status**

**Not Reviewed**

**Need more information on product environmental compliance?**

Email [productcompliance@molex.com](mailto:productcompliance@molex.com)  
Please visit the [Contact Us](#) section for any non-product compliance questions.

China ROHS

Not Reviewed

ELV

Not Reviewed

**Search Parts in this Series**

T9999 Series

**Use With**

46562 Ten60Power™ Vertical Receptacle