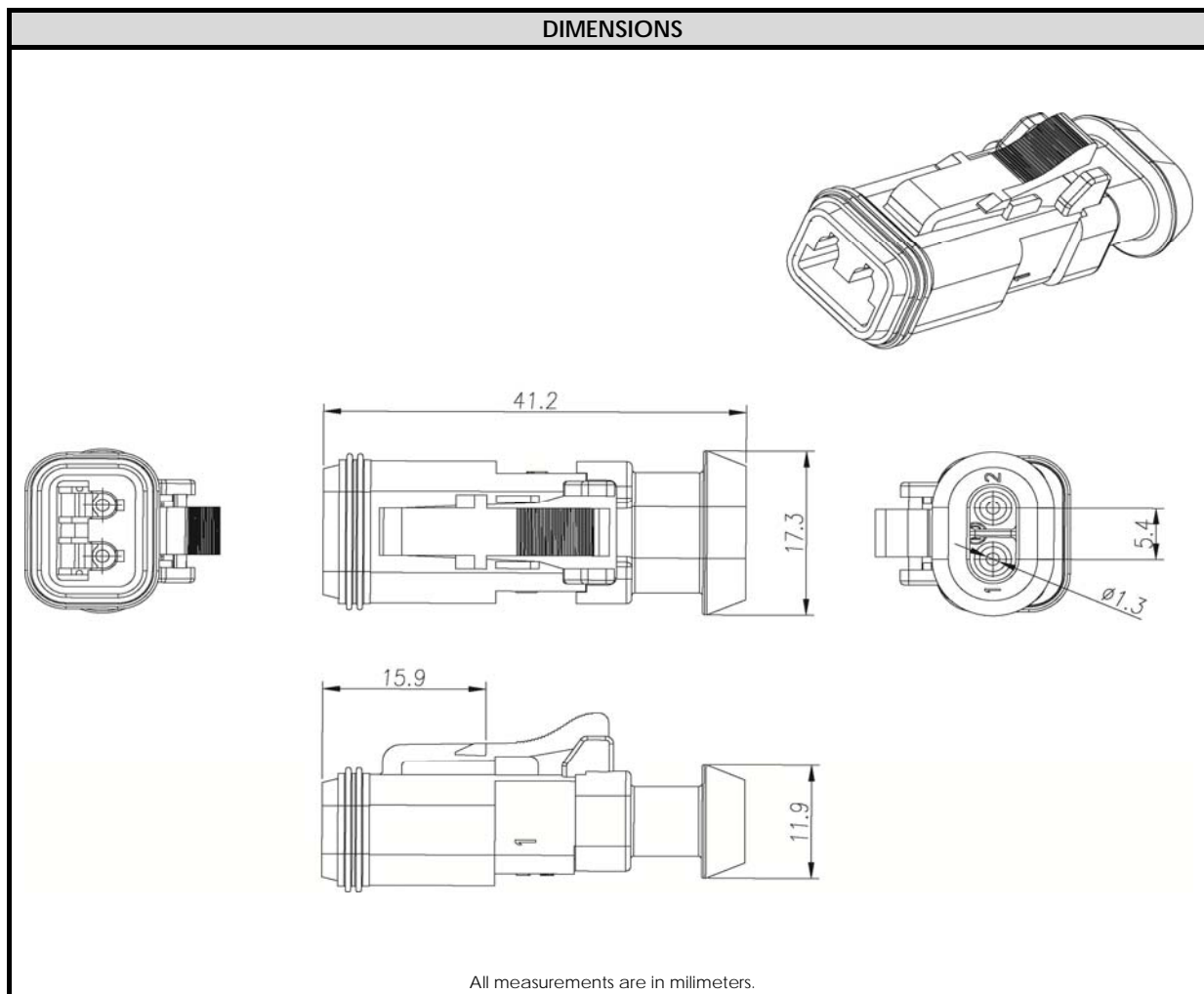


CONFIGURATION	PART NUMBER
2 WAY PLUG, SHRINK BOOT	AT06-2S-SB01



NOTES:	
CONTACT SIZE	16
WIRE RANGE	14 - 20 AWG [2.0 - 0.5]
INSULATION O.D. (MAX)	.145" [3.68mm]
INSULATION O.D. (MIN)	.088" [2.24mm]
HOUSING COLOR	GREY
MATING CONNECTOR	AT04-2P
REQUIRED WEDGE	AW2S
REV: NC	
DATE 22-DEC-2011	

© 2011 Amphenol Sine Systems Corporation. Every effort has been made to ensure that the information contained in this document is accurate at the time of publication. Specifications or information stated in this publication are subject to change without notice.

Mouser Electronics

Authorized Distributor

Click to View Pricing, Inventory, Delivery & Lifecycle Information:

[Amphenol:](#)

[AT06-2S-SB01](#) [AT06-2S-SB01BLK](#)