

PRODUCT NUMBER

71922-YXXLF

WHEN REQUIRED, ADD SUFFIX LETTER "LF"
INDICATES THE PRODUCT IS RoHS
COMPATIBLE, SEE NOTE 10

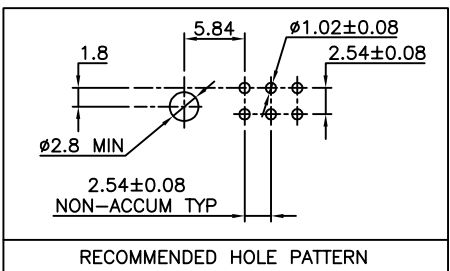
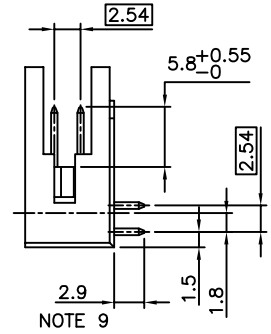
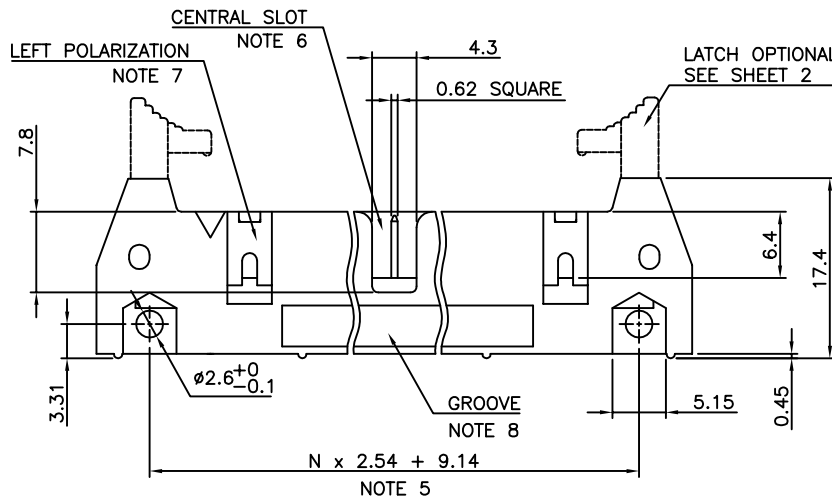
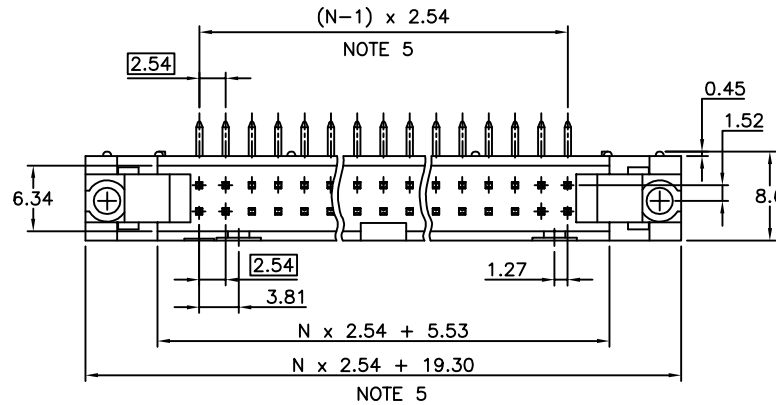
TOTAL NB OF POSITIONS, SEE SHEET 2

LATCHING

- 0= WITHOUT LATCH
- 1= STANDARD LATCH
- 2= LOW PROFILE LATCH

NOTES:

- 1 - HOUSING MAT'L : GLASS FILLED THERMOPLASTIC. UL94V-0 COLOR: GREY
- 2 - PIN MATERIAL : PHOSPHOR BRONZE
- 3 - PRODUCT PACKAGED IN TUBES
- 4 - 40N MIN LATCH RETENTION FORCE AT FIRST EXTRACTION
- 5 - TO DETERMINE DIMENSIONS :
N = NUMBER OF POSITIONS PER ROW
EXAMPLE : 8 POS N x 2.54 = 20.32mm
- 6 - NO CENTRAL SLOT ON POSITIONS 6 & 8
- 7 - NO LEFT POLARIZATION ON POSITIONS 06, 08, 10, 14.
- 8 - NO GROOVE ON POSITIONS 06, 08, 10, 14, 30, 34
- 9 - 4.5mm SOLDER TAIL
ORDER 71922-4XX (WITH STANDARD LATCH ONLY)
ORDER 71922-5XX (WITH LOW PROFILE LATCH ONLY)
- 10 - RoHS COMPATIBLE PRODUCT SPECIFICATIONS
 - a - PLATING:
 - "LF" MEANS THE PRODUCT IS LEAD-FREE, 2µm MINIMUM MATTE TIN OVER 1.27µm MINIMUM NICKEL UNDERPLATE.
 - b - MANUFACTURING PROCESS COMPATIBILITY
 - THE HOUSING WILL WITHSTAND EXPOSURE TO 260°C ±5°C SOLDER BATH TEMPERATURE FOR 5 SECONDS IN A WAVE SOLDER APPLICATION WITH A 1.6mm MIN THICK CIRCUIT BOARD.
 - c - LABELING:
 - MEETS PACKAGING SPECS AS PER GS-14-920
 - d - LEGAL STATEMENT: SEE GS-22-008.



mat'l. code		surface		tolerance		projection		product family	
SEE NOTES		ISO 1302		ISO 406 ISO 1101		mm		QUICKIE	
ltr	ecn no	dr	date	tolerances unless otherwise specified		mm		title	
V	F10-0054	LMU	10.05.19	angles	linear	scale 2:1		SHR.EL.HEADER RA DR TMT	
P	F04-0325	JCO	04.08.16					dwg no	
R	F04-0385	LMU	04.09.17	dr	D.LE	01.01.24		sheet 1 of 2	
S	F06-0229	LMU	06.07.17	engr	JM.C	01.01.24		size	
T	F07-0195	LMU	07.05.25	chr	JF.N	01.01.24		71922	
U	F08-0146	YOY	08.04.11	appd	JM.C	01.01.24		A3	
sheet index		revision	V	P	type				
1		sheet	1	2	CUSTOMER Drawing				



FCIconnect.com

Copyright FCI

CORE RANGE

LATCHING	NUMBER OF POSITIONS
1	06
1	08
1	10
1	14
1	16
1	18
1	20
1	26
1	30
1	34
1	40
1	44
1	50
1	60
1	64

PLATING :

- 0.76µm GOLD/GXT
(PdNi WITH GOLD FLASH) ON CONTACT AREA
3.81µm TIN-LEAD ON TAIL
UNDERPLATE : 1.27µm Ni MIN
- WHEN SUFFIX LETTER "LF" IS REQUIRED,
2µm MIN MATTE TIN OVER 1.27µm MIN
NICKEL IS PROVIDED INSTEAD OF TIN-LEAD

CATALOGUE RANGE

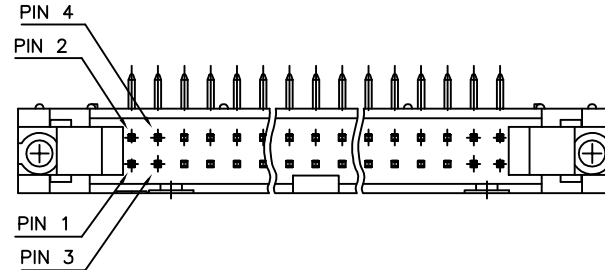
LATCHING	NUMBER OF POSITIONS
0/2	06
0/2	08
0/2	10
0/2	14
0/2	16
0/2	18
0/2	20
0/2	26
0/2	30
0/2	34
0/2	40
0/2	44
0/2	50
0/2	60
0/2	64

PLATING :

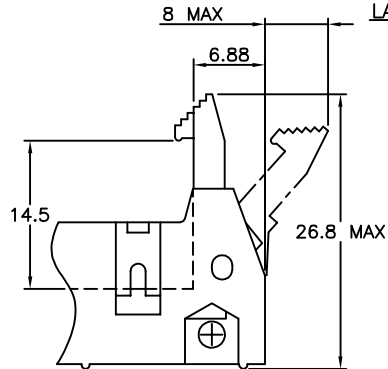
- 0.76µm GOLD/GXT
(PdNi WITH GOLD FLASH) ON CONTACT AREA
3.81µm TIN-LEAD ON TAIL
UNDERPLATE : 1.27µm Ni MIN
- WHEN SUFFIX LETTER "LF" IS REQUIRED,
2µm MIN MATTE TIN OVER 1.27µm MIN
NICKEL IS PROVIDED INSTEAD OF TIN-LEAD

APPLICATION SPECIFIC

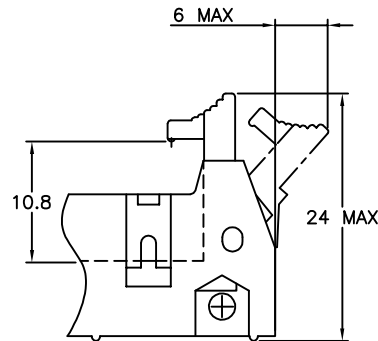
PRODUCT NUMBER	SIZE	MISSING PIN
71922-139	2x20	PIN 20



LATCHING FEATURES :



1= STANDARD LATCH



2= LOW PROFILE LATCH

mat'l. code		surface		tolerance		projection		product family	
		ISO 1302		ISO 406 ISO 1101				QUICKIE	
ltr		ecn no		date		mm		title	
M		F06-0229		LMU 06.07.17				SHR.EL.HEADER	
N		F07-0195		LMU 07.05.25				RA DR TMT	
P		F08-0146		YOV 08.04.11		scale 2:1		dwg no	
J		F04-176		LMU 04.04.23		dr		sheet 2 of - size	
K		F04-0325		JCO 04.08.16		D.LE		71922 A3	
L		F04-0389		JCO 04.12.21		JM.C		type	
sheet		revision		appd		JM.C		CUSTOMER Drawing	
index		sheet							