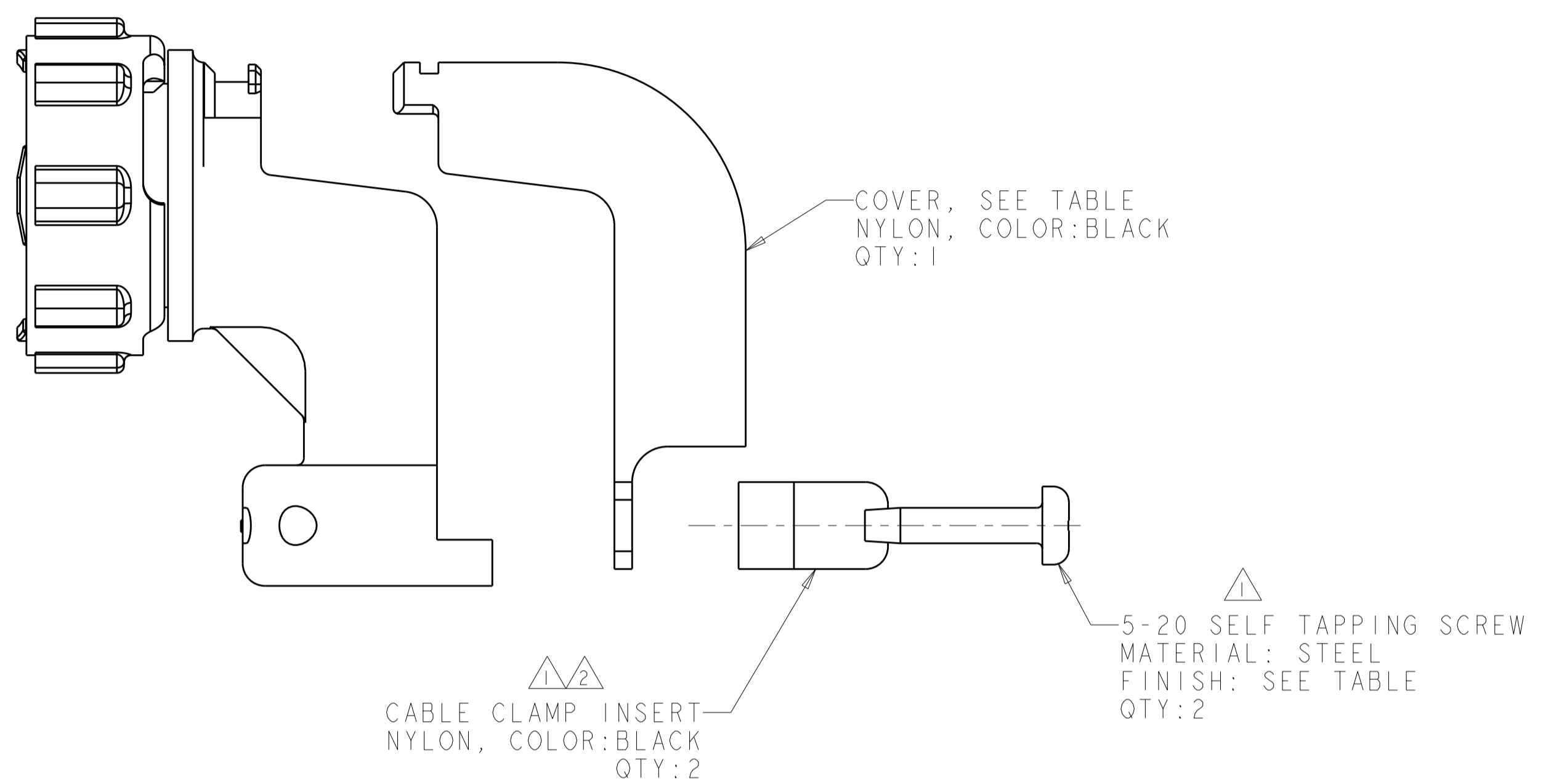
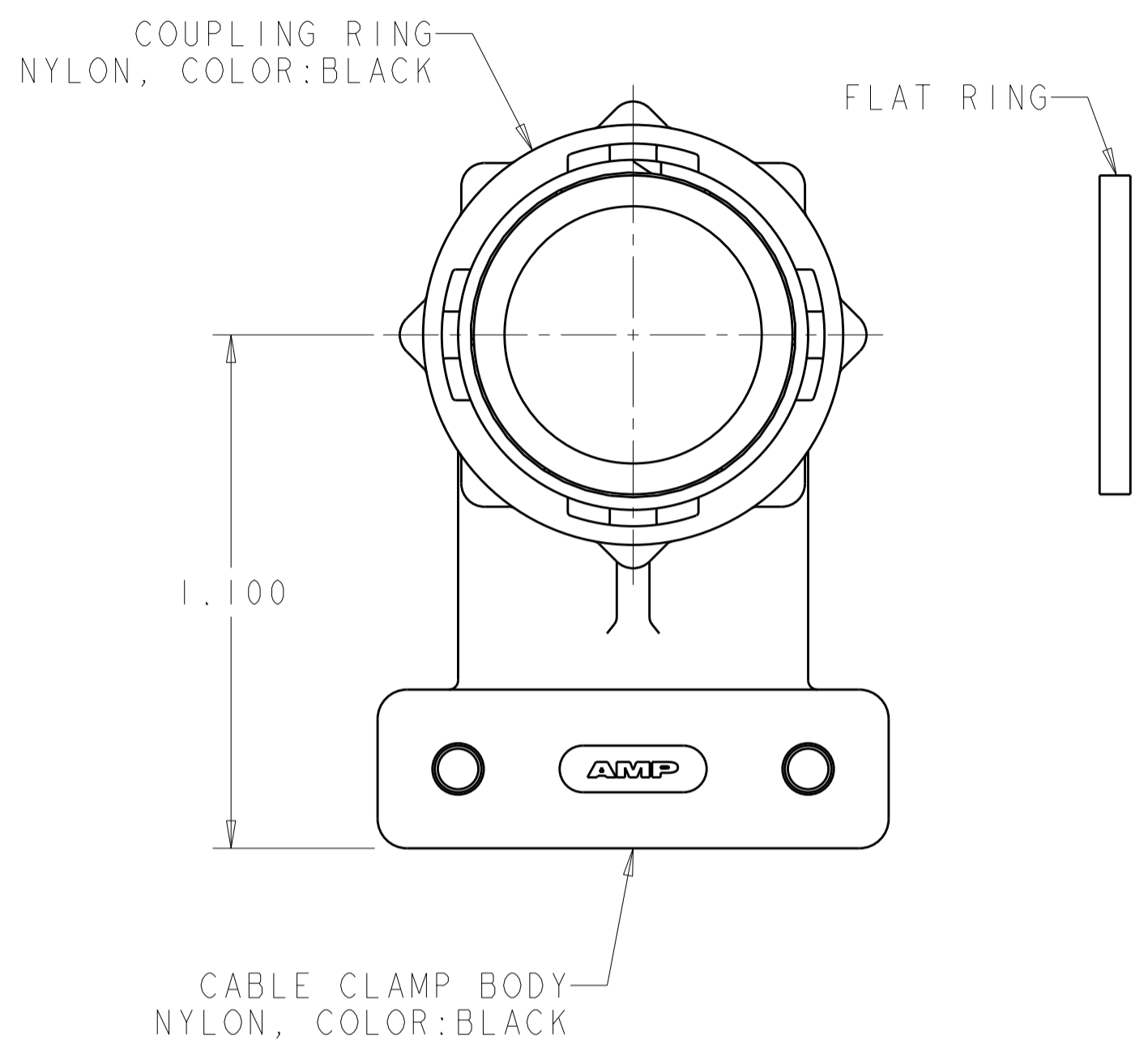
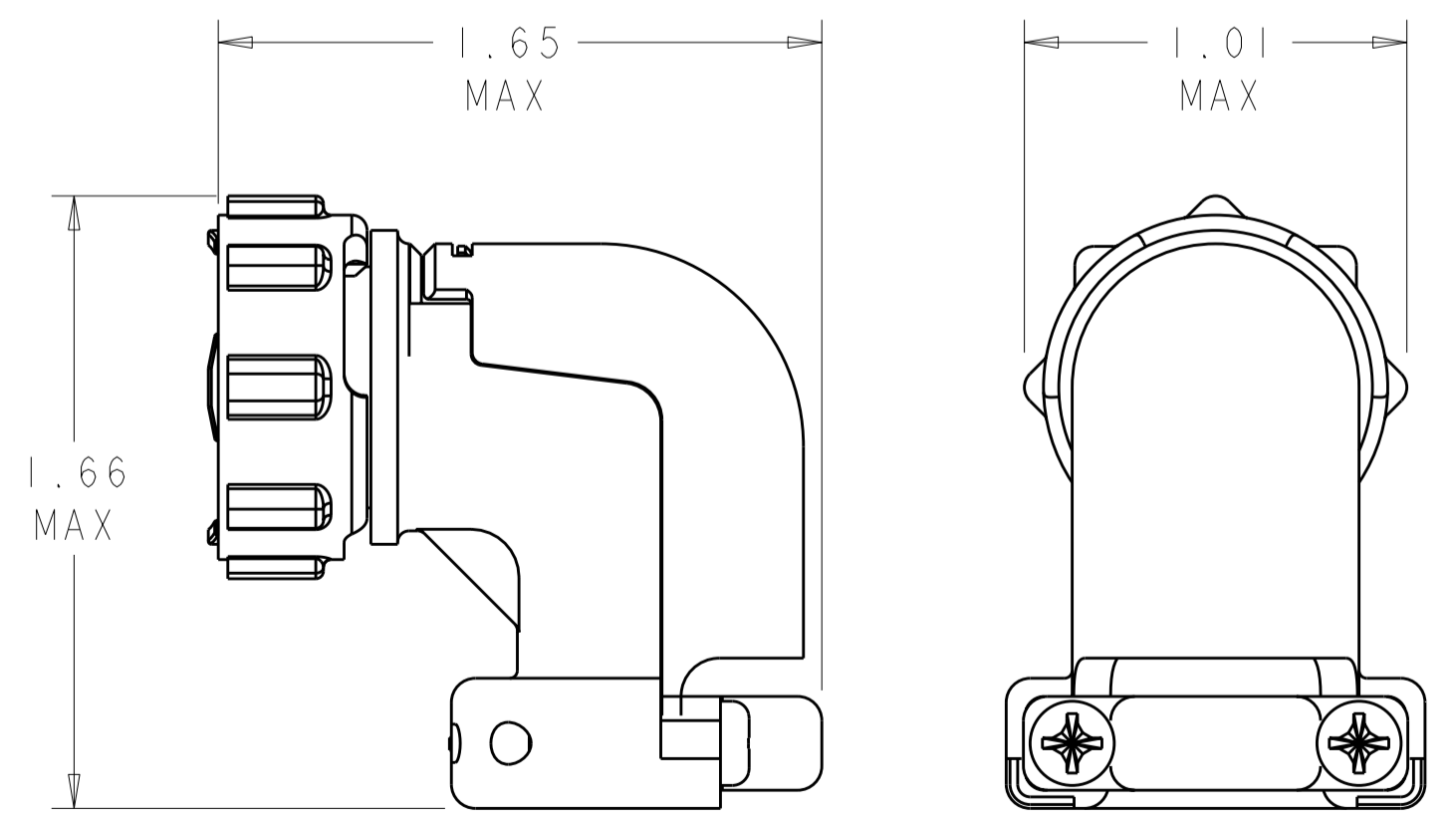


THIS DRAWING IS UNPUBLISHED. RELEASED FOR PUBLICATION  
 © COPYRIGHT 20 BY TYCO ELECTRONICS CORPORATION. ALL RIGHTS RESERVED.

LOC	DIST	REVISIONS			
P	LTR	DESCRIPTION	DATE	DWN	APVD
FT	0				
	C	REVISED PER ECO-08-030868	11DEC2008	HMR	GS



- ① SELF TAPPING SCREWS AND CABLE CLAMP INSERTS PACKAGED UNASSEMBLED.
- ② CLAMPING AREA ADJUSTABLE TO .453 O.D. MAX CABLE. CABLE CLAMP INSERTS CAN BE ADJUSTED BY INVERTING OR CHANGING CABLE CLAMP INSERT.



ASSEMBLED VIEW  
SCALE 2:1

ZINC PLATED NON-HEXAVALENT CHROMATE	YES	1546746-4
ZINC PLATED NON-HEXAVALENT CHROMATE	NO	1546746-3
ZINC PLATED NON-HEXAVALENT CHROMATE	YES	1546746-2
ZINC PLATED NON-HEXAVALENT CHROMATE	NO	1546746-1
SCREW FINISH	COVER	PART NUMBER

THIS DRAWING IS A CONTROLLED DOCUMENT FOR TYCO ELECTRONICS CORPORATION. IT IS SUBJECT TO CHANGE AND THE CONTROLLING ENGINEERING ORGANIZATION SHOULD BE CONTACTED FOR THE LATEST REVISION.		DWN S. WELDON 06 JUN 2003	AMP Incorporated Harrisburg, PA 17105-3608	
DIMENSIONS: INCHES		CHK H. WAKEEM 06 JUN 2003	NAME CABLE CLAMP KIT, UNASSEMBLED, R/A, W/COVER, SIZE 11, MINI CPC	
TOLERANCES UNLESS OTHERWISE SPECIFIED: 0 PLC ± 1 PLC ± 2 PLC ± 3 PLC ±0.005 4 PLC ± ANGLES ± FINISH		APVD H. WAKEEM 06 JUN 2003	RESTRICTED TO	
MATERIAL		PRODUCT SPEC	SIZE	CAGE CODE
		APPLICATION SPEC	A200779	C=1546746
		WEIGHT	SCALE	SHEET
		CUSTOMER DRAWING	3:1	1 OF 1