

Fig. 1

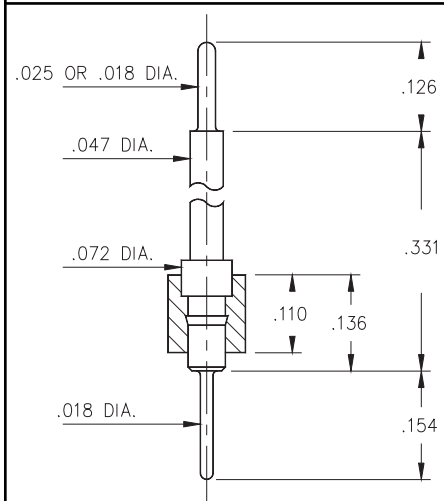


Fig. 2

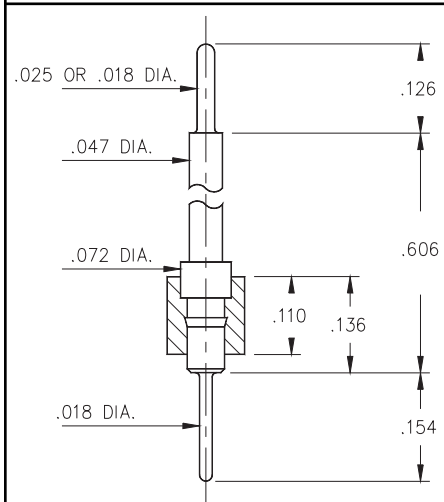


Fig. 3

- Series 351 Interconnect Header Strips come in three lengths with .018" dia. pluggable solder tails at one end and .025" dia. pins at the other. (M-M# 5503, 5504 or 5505 see page 172 for details).
- .018" pluggable solder tails are available at both ends, see series:
 351...009
 351...010
 351...011
 (using M-M# 5509, 5510, 5511 pins respectively, see page 170 & 172 for details).



Ordering Information

Fig. 1	Series 351...003 .018 / .025 Solder Tails
	351-XX-1__-00-003 Specify # of pins → 01-64
Fig. 2	Series 351...009 .018 / .018 Solder Tails
	351-XX-1__-00-009 Specify # of pins → 01-64
Fig. 3	Series 351...004 .018 / .025 Solder Tails
	351-XX-1__-00-004 Specify # of pins → 01-64
Fig. 3	Series 351...010 .018 / .018 Solder Tails
	351-XX-1__-00-010 Specify # of pins → 01-64
Fig. 3	Series 351...005 .018 / .025 Solder Tails
	351-XX-1__-00-005 Specify # of pins → 01-64
Fig. 3	Series 351...011 .018 / .018 Solder Tails
	351-XX-1__-00-011 Specify # of pins → 01-64

XX= Plating Code
See Below

SPECIFY PLATING CODE XX=	10	90		
Pin Plating	10μ" Au	200μ" Sn/Pb		