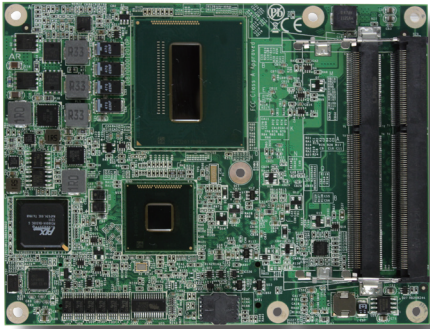


# EmETXe-i87M0

## Intel® 4th Generation Core™ COM Express Basic Type 6 CPU Module



### Features

- Soldered onboard Intel® 4th Generation Core™ processor
- Integrated Gigabit Ethernet
- Dual channels 24-bit LVDS, Analog RGB, and 3 x DDI ports
- Supports 3 independent displays
- RAID 0, 1, 5, 10 supported
- Support Intel® Active Management Technology (Intel AMT)
- **Extended Operating Temp.: -20 ~ 70°C**

### System

<b>CPU</b>	Intel® 4th Generation Core™ i5-4402E 1.6GHz processor
<b>Memory</b>	2 x DDR3L SO-DIMM sockets, supporting SDRAM up to 16GB
<b>Chipset</b>	Intel® PCH QM87
<b>BIOS</b>	AMI UEFI BIOS
<b>Watchdog Timer</b>	1~255 levels reset

### I/O

<b>USB Port</b>	12 x USB ports: - 8 x USB 2.0 ports - 4 x USB 3.0 ports
<b>Digital I/O</b>	8-bit programmable Digital Input/Output
<b>Expansion Bus</b>	1 x PCIe x16 Gen3 lanes 8 x PCIe x1 Gen2 lanes
<b>Storage</b>	4 x Serial ATA ports: - 2 ports with 600MB/s HDD transfer rate - 2 ports with 300MB/s HDD transfer rate SATA RAID 0, 1, 5, 10 supported
<b>Ethernet Chipset</b>	1 x Intel® i217 PCIe GbE PHY
<b>Audio</b>	HD AUDIO link

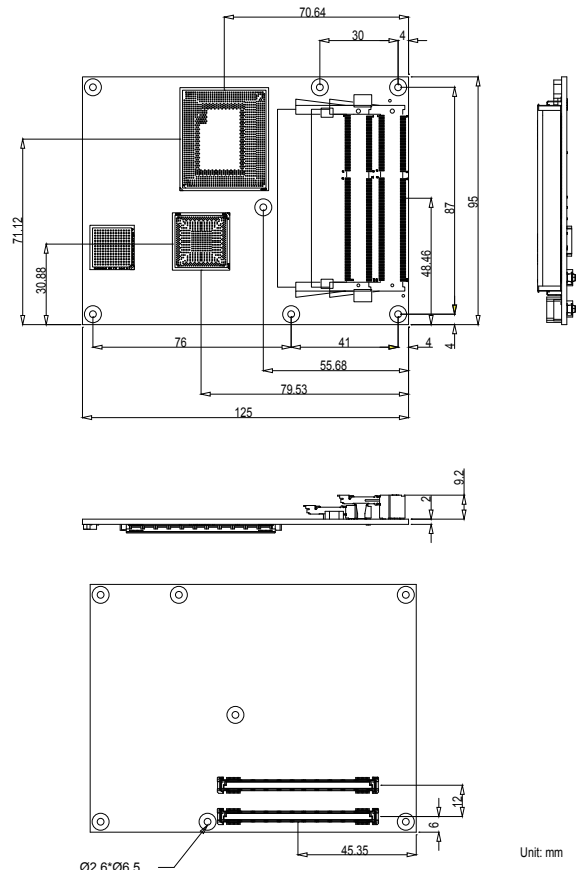
### Display

<b>Graphics Chipset</b>	Integrated Intel® HD Graphics 4600
<b>Graphics Interface</b>	Analog RGB supports up to 1920x1200@60Hz LCD: Dual Channels 24-bit LVDS up to 1920 x 1200 @60Hz 3 x DDI ports

### Mechanical & Environmental

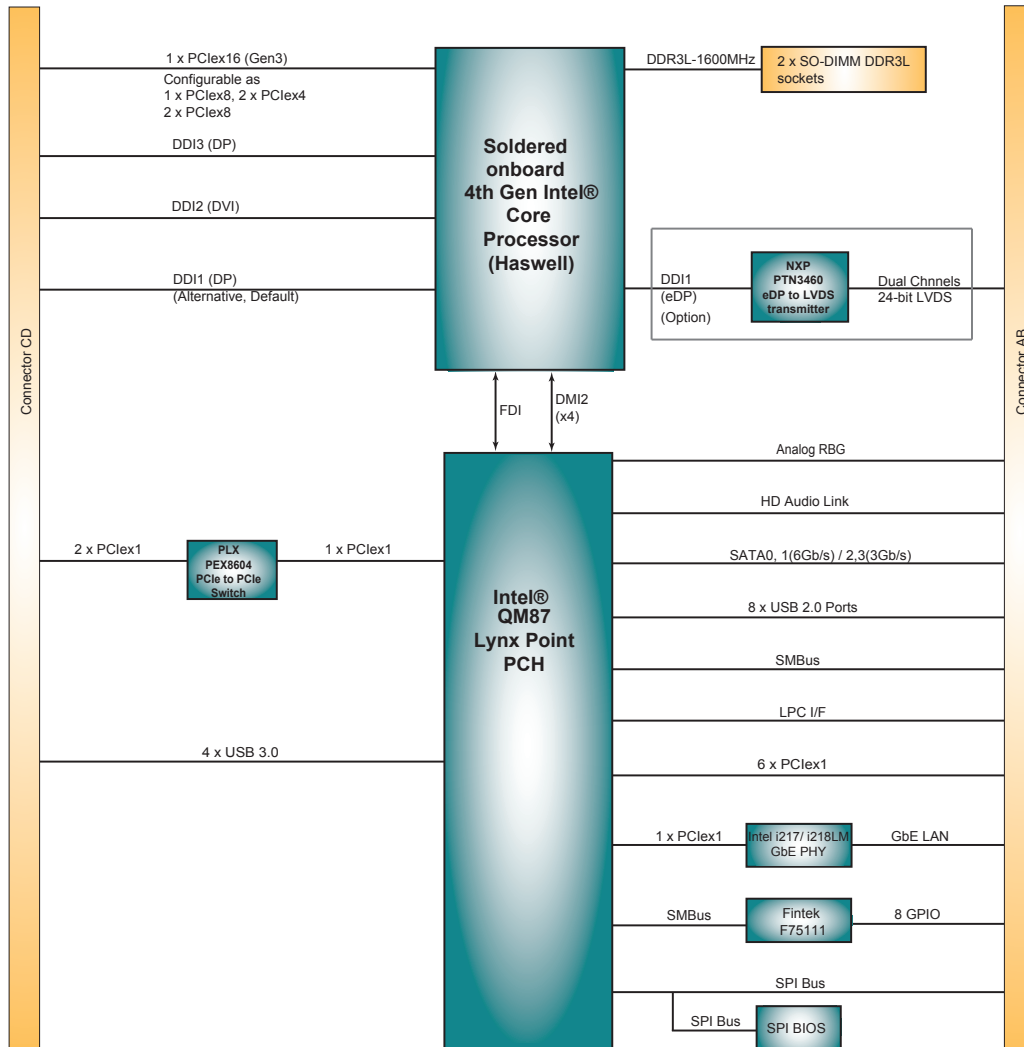
<b>Power Requirement</b>	+12V
<b>Power Consumption</b>	3A @+12V
<b>Operating Temp.</b>	-20 ~ 70°C (-4 ~ 158°F)
<b>Operating Humidity</b>	10 ~ 95% @ 70°C (non-condensing)
<b>Dimensions (L x W)</b>	125 x 95 mm (4.9" x 3.7")

### Dimensions



Unit: mm

# Block Diagram



## Ordering Information

**EmETXe-i87M0-4402E** Intel® 4<sup>th</sup> Generation Core™ i5-4402E/ QM87 COM Express CPU module

## Optional Accessories

<b>HS-87M0-F1</b>	Heat spreader (125x95x18mm)
<b>HS-87M0-F2</b>	Heat spreader (95x95x11mm)
<b>HS-0000-W4</b>	Universal evaluation heat sink kit w/ thermal pad (Dimensions: 125x95x22mm, only used on a flat-type heat spreader)
<b>PBE-1702</b>	COM Express type 6 evaluation carrier board (ATX form factor)
<b>CBK-04-1702-00</b>	Cable Kit <ul style="list-style-type: none"> <li>• 1 x SATA cable</li> <li>• 2 x COM port cables</li> <li>• 1 x USB cable</li> </ul>