

3A LOW DROPOUT LINEAR REGULATOR

NEW PRODUCT

Description

The AZ2085 series is low dropout positive voltage regulators with a maximum dropout of 1.5V at 3A of load current.

The device features on-chip thermal shutdown. It also includes a bandgap reference and a current limiting circuit.

The AZ2085 is available in adjustable version. The adjustable version can set the output voltage with two external resistors.

The AZ2085 series is available in standard packages of TO252-2 (3) and TO252-2 (5).

Applications

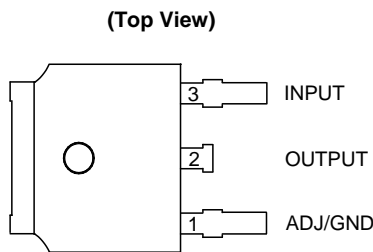
- High Efficiency Linear Regulators
- Battery Charger
- Digital Video/Camcorder
- Post Regulation for Switching Supplies
- Microprocessor Supply
- Mother Board Power Supplies
- DVD-video Player
- Telecom Equipment
- Set Top Boxes and Web Boxes Modules' Supply

- Notes:
1. No purposely added lead. Fully EU Directive 2002/95/EC (RoHS) & 2011/65/EU (RoHS 2) compliant.
 2. See http://www.diodes.com/quality/lead_free.html for more information about Diodes Incorporated's definitions of Halogen- and Antimony-free, "Green" and Lead-free.
 3. Halogen- and Antimony-free "Green" products are defined as those which contain <900ppm bromine, <900ppm chlorine (<1500ppm total Br + Cl) and <1000ppm antimony compounds.

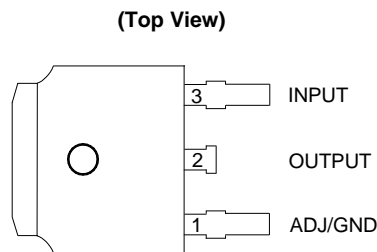
Features

- Low Dropout Voltage: Typical 1.2V at 3A
- Current Limiting and Thermal Protection
- Output Current: 3A
- Current Limit: 4.5A
- Operating Junction Temperature: 0 to +125°C
- Line Regulation: 0.015% (Typ)
- Load Regulation: 0.1% (Typ)
- Adjust Pin Current: 6µA (Typ)
- Minimum Load Current: 0.3mA (Typ)
- Compatible with Low ESR Ceramic Capacitor
- **Totally Lead-Free & Fully RoHS Compliant (Notes 1 & 2)**
- **Halogen and Antimony Free. "Green" Device (Note 3)**

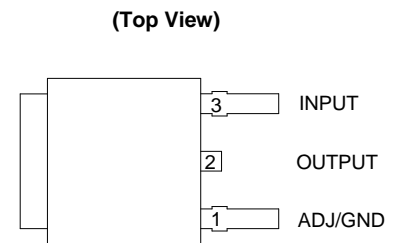
Pin Assignments



TO252-2 (3) Option 1

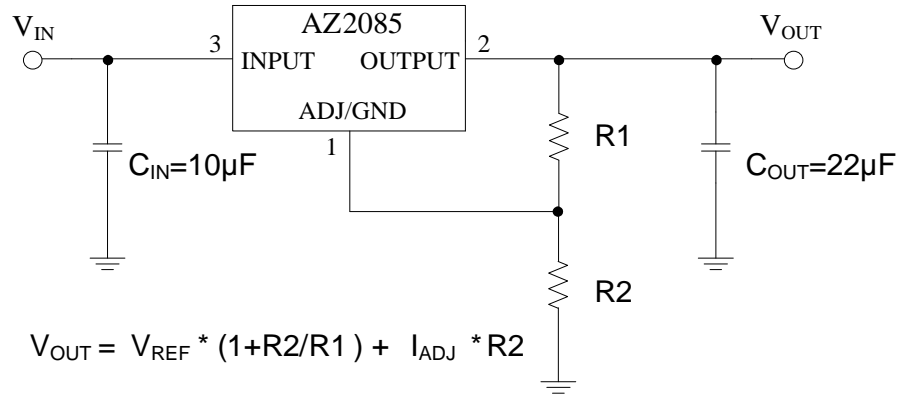


TO252-2 (3) Option 2



TO252-2 (5)

Typical Applications Circuit

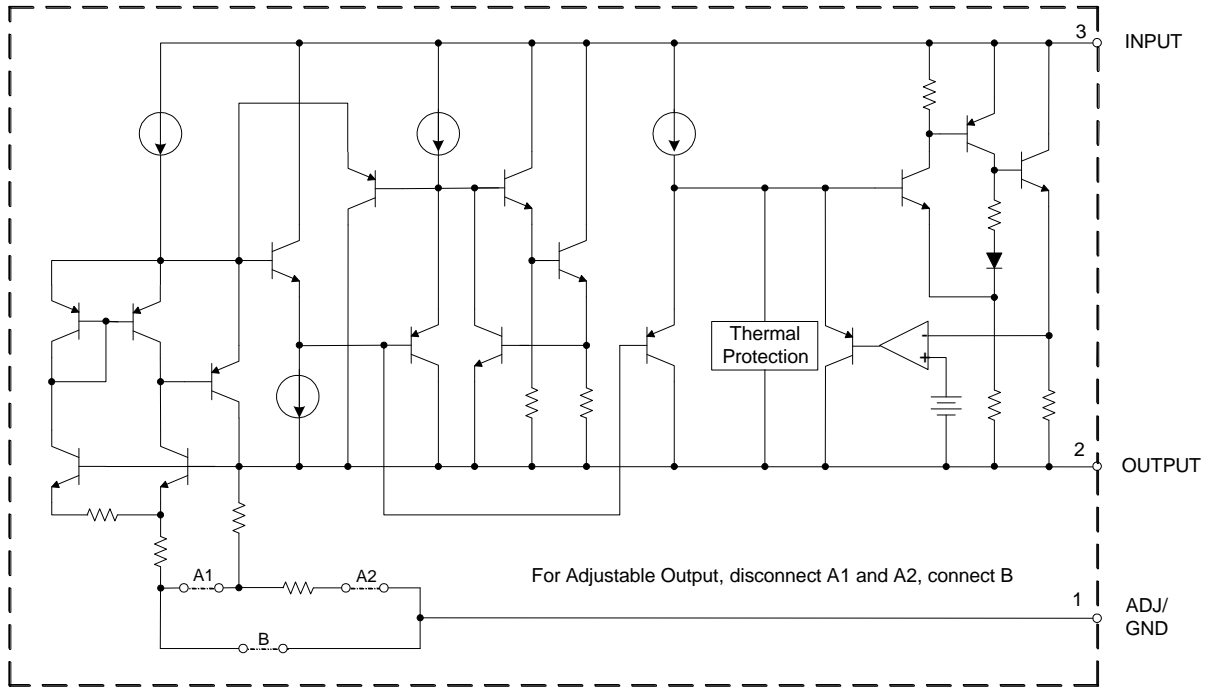


Pin Descriptions

Pin Number	Pin Name	Function
1	ADJ/GND	Adjust pin/Ground
2	OUTPUT	Output voltage
3	INPUT	Input voltage

Functional Block Diagram

NEW PRODUCT



Absolute Maximum Ratings (Note 4)

Symbol	Parameter	Rating	Unit
V_{IN}	Input Voltage	18	V
T_J	Operating Junction Temperature	+150	°C
T_{STG}	Storage Temperature Range	-65 to +150	°C
T_{LEAD}	Lead Temperature (Soldering, 10sec)	+260	°C
θ_{JA}	Thermal Resistance (Junction to Ambient)	100	°C/W
—	ESD (Human Body Model)	2000	V

Note 4: Stresses greater than those listed under "Absolute Maximum Ratings" may cause permanent damage to the device. These are stress ratings only, and functional operation of the device at these or any other conditions beyond those indicated under "Recommended Operating Conditions" is not implied. Exposure to "Absolute Maximum Ratings" for extended periods may affect device reliability.

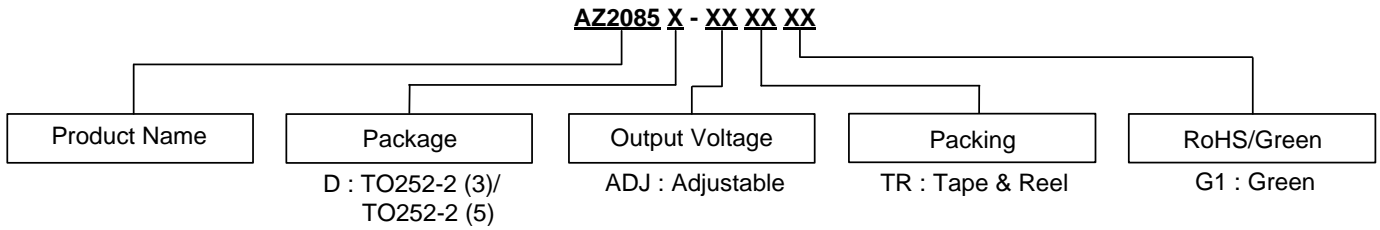
Recommended Operating Conditions

Symbol	Parameter	Min	Max	Unit
V_{IN}	Input Voltage	—	12	V
T_J	Operating Junction Temperature	0	+125	°C

Electrical Characteristics (Typicals and limits appearing in normal type apply for $T_J = +25^\circ\text{C}$. Limits appearing in **Boldface** type apply over the entire operating junction temperature range 0 to $+125^\circ\text{C}$.)

Symbol	Parameter	Conditions	Min	Typ	Max	Unit
V_{REF}	Reference Voltage	$I_{OUT} = 10\text{mA}$, $V_{IN}-V_{OUT} = 3\text{V}$, $T_J = +25^\circ\text{C}$, $10\text{mA} \leq I_{OUT} \leq 3\text{A}$, $1.5\text{V} \leq V_{IN}-V_{OUT} \leq 5\text{V}$	1.238 1.225	1.250 1.250	1.262 1.275	V
$\Delta V_{OUT}/V_{OUT}$	Load Regulation	$0\text{A} \leq I_{OUT} \leq 3\text{A}$, $V_{IN}-V_{OUT} = 3\text{V}$	—	0.1 0.2	0.3 0.4	%
$\Delta V_{OUT}/\Delta V_{IN}$	Line Regulation	$I_{OUT} = 10\text{mA}$, $2.85\text{V} \leq V_{IN} \leq 10\text{V}$	—	0.015 0.035	0.2 0.2	%
V_{DROP}	Dropout Voltage	$I_{OUT} = 3\text{A}$, ΔV_{REF} , $\Delta V_{OUT} = 1\%$	—	1.2	1.5	V
I_{LIMIT}	Current Limit	$V_{IN}-V_{OUT} = 3\text{V}$	3.2	4.5	—	A
I_{LOAD}	Minimum Load Current	$V_{IN} = 10\text{V}$	—	0.3	1	mA
I_{ADJ}	Adjust Pin Current	$V_{IN} = 4.25\text{V}$, $I_{OUT} = 10\text{mA}$	—	6	10	μA
ΔI_{ADJ}	Adjust Pin Current Change	$10\text{mA} \leq I_{OUT} \leq 3\text{A}$, $1.5\text{V} \leq V_{IN}-V_{OUT} \leq 6\text{V}$	—	0.3	2	μA
PSRR	Ripple Rejection	$f_{RIPPLE} = 120\text{Hz}$, $C_{OUT} = 22\mu\text{F}$, $I_{OUT} = 3\text{A}$, $V_{IN}-V_{OUT} = 3\text{V}$	—	72	—	dB
—	Long Term Stability	$T_A = +125^\circ\text{C}$, 1000Hrs	—	0.5	—	%
—	Temperature Stability	$I_{OUT} = 10\text{mA}$, $V_{IN}-V_{OUT} = 1.5\text{V}$	—	0.5	—	%
—	RMS Noise (% of V_{OUT})	$T_A = +125^\circ\text{C}$, $10\text{Hz} \leq f \leq 10\text{kHz}$	—	0.003	—	%
—	OTSD	—	+130	+150	+170	$^\circ\text{C}$
—	OTSD Hysteresis	—	—	+20	—	$^\circ\text{C}$
—	Pulse Current	Pulse Width $\leq 100\mu\text{s}$	—	7	12	A
θ_{JC}	Thermal Resistance (Junction to Case)	—	—	7.36	—	$^\circ\text{C/W}$

Ordering Information



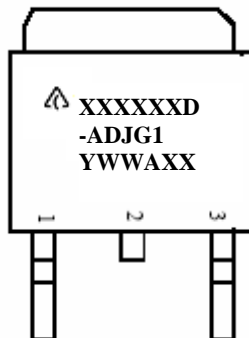
Diodes IC's Pb-free products with "G1" suffix in the part number, are RoHS compliant and green.

Package	Temperature Range	Part Number	Marking ID	Packing
TO252-2 (3)/ TO252-2 (5)	0 to +125°C	AZ2085D-ADJTRG1	AZ2085D-ADJG1	2500/Tape & Reel

Marking Information

(1) TO252-2 Series

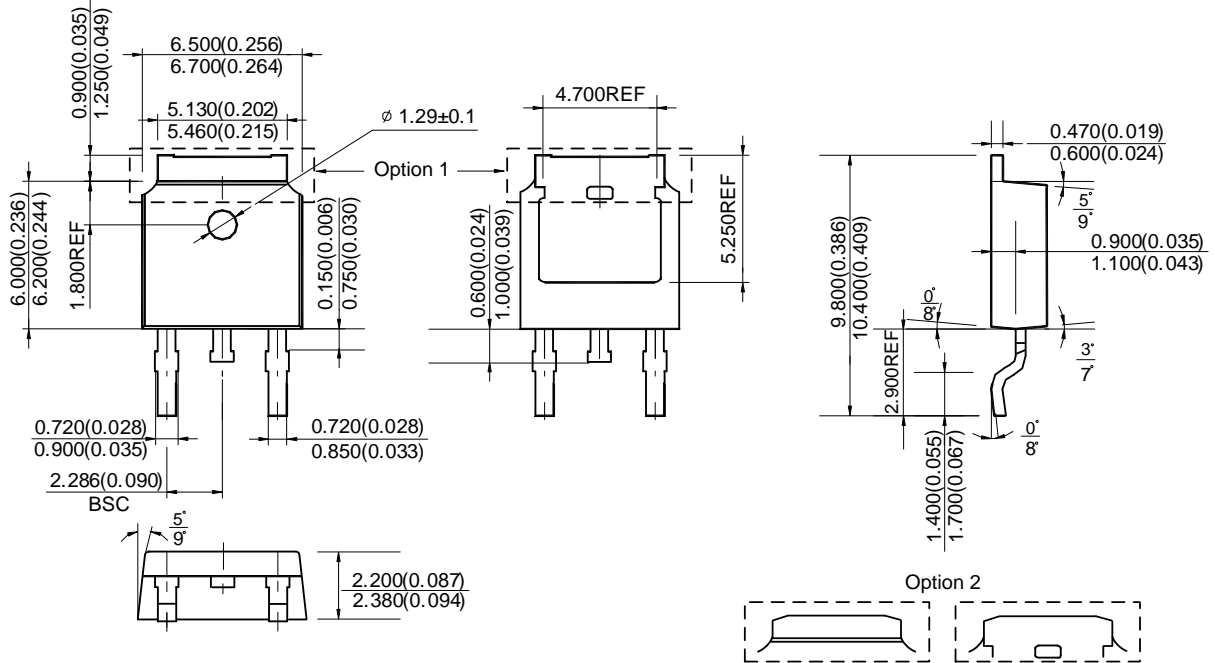
(Top View)



First and Second Lines: Logo and Marking ID
(See Ordering Information)
Third Line: Date Code
Y: Year
WW: Work Week of Molding
A: Assembly House Code
XX: 7th and 8th Digits of Batch No.

Package Outline Dimensions (All dimensions in mm(inch).)

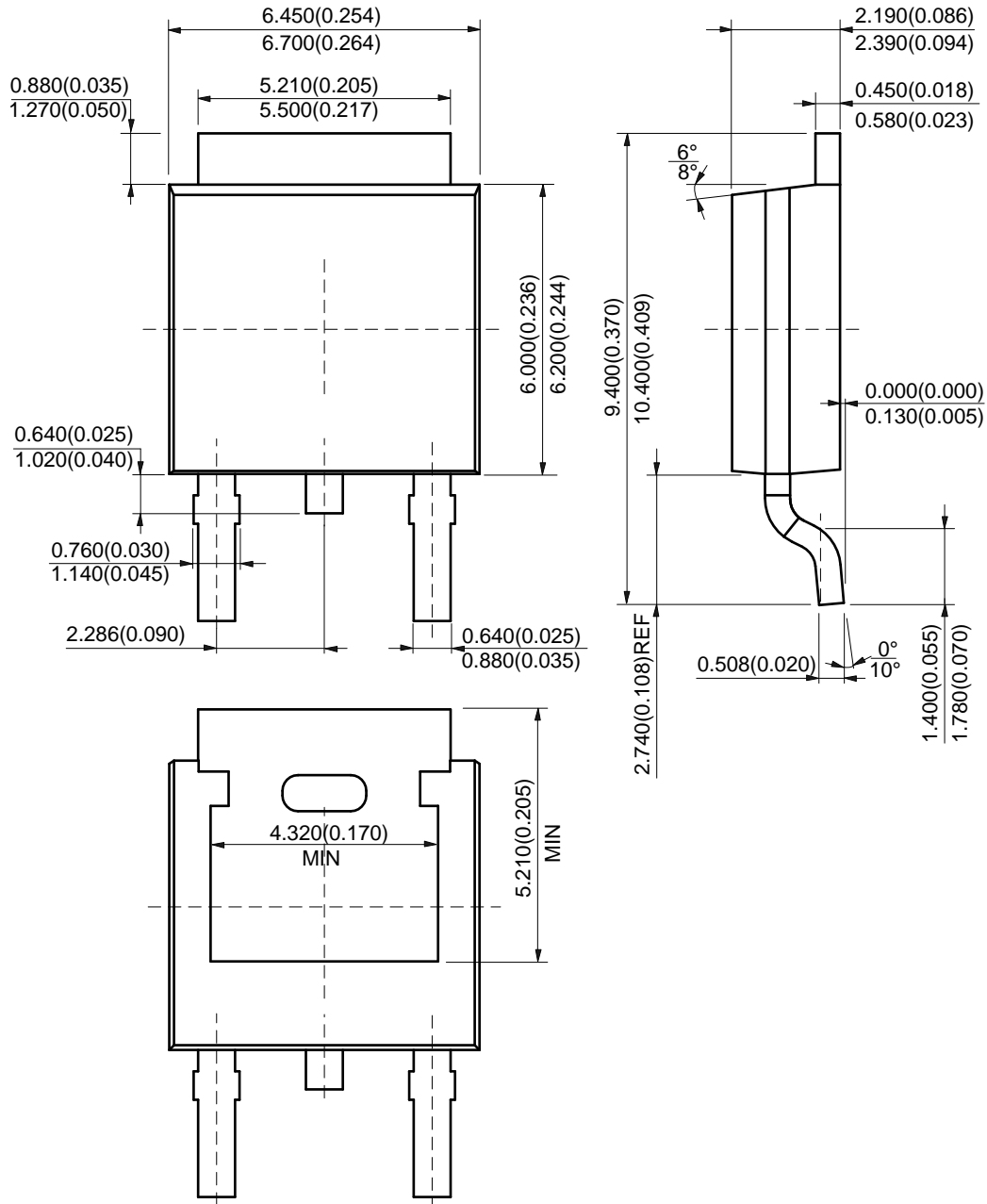
(1) Type Package: TO252-2 (3)



NEW PRODUCT

Package Outline Dimensions (Cont. All dimensions in mm(inch).)

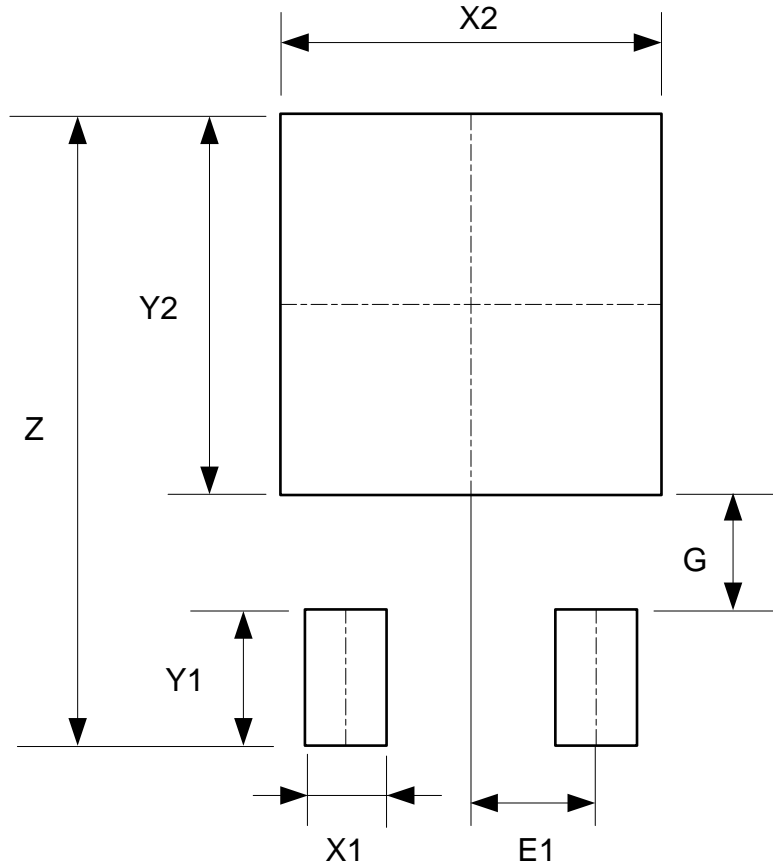
(2) Package Type: TO252-2 (5)



NEW PRODUCT

Suggested Pad Layout

(1) Package Type: TO252-2 (3)

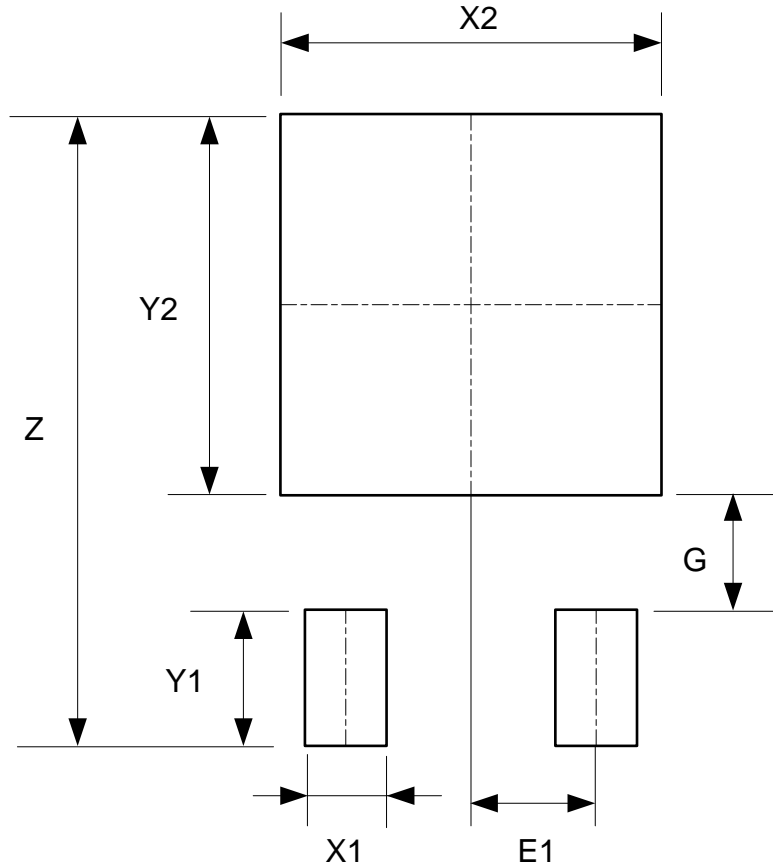


Dimensions	Z (mm)/(inch)	X1 (mm)/(inch)	X2=Y2 (mm)/(inch)	Y1 (mm)/(inch)	G (mm)/(inch)	E1 (mm)/(inch)
Value	11.600/0.457	1.500/0.059	7.000/0.276	2.500/0.098	2.100/0.083	2.300/0.091

NEW PRODUCT

Suggested Pad Layout (Cont.)

(2) Package Type: TO252-2 (5)



Dimensions	Z (mm)/(inch)	X1 (mm)/(inch)	X2=Y2 (mm)/(inch)	Y1 (mm)/(inch)	G (mm)/(inch)	E1 (mm)/(inch)
Value	11.600/0.457	1.500/0.059	7.000/0.276	2.500/0.098	2.100/0.083	2.300/0.091

NEW PRODUCT

IMPORTANT NOTICE

DIODES INCORPORATED MAKES NO WARRANTY OF ANY KIND, EXPRESS OR IMPLIED, WITH REGARDS TO THIS DOCUMENT, INCLUDING, BUT NOT LIMITED TO, THE IMPLIED WARRANTIES OF MERCHANTABILITY AND FITNESS FOR A PARTICULAR PURPOSE (AND THEIR EQUIVALENTS UNDER THE LAWS OF ANY JURISDICTION).

Diodes Incorporated and its subsidiaries reserve the right to make modifications, enhancements, improvements, corrections or other changes without further notice to this document and any product described herein. Diodes Incorporated does not assume any liability arising out of the application or use of this document or any product described herein; neither does Diodes Incorporated convey any license under its patent or trademark rights, nor the rights of others. Any Customer or user of this document or products described herein in such applications shall assume all risks of such use and will agree to hold Diodes Incorporated and all the companies whose products are represented on Diodes Incorporated website, harmless against all damages.

Diodes Incorporated does not warrant or accept any liability whatsoever in respect of any products purchased through unauthorized sales channel. Should Customers purchase or use Diodes Incorporated products for any unintended or unauthorized application, Customers shall indemnify and hold Diodes Incorporated and its representatives harmless against all claims, damages, expenses, and attorney fees arising out of, directly or indirectly, any claim of personal injury or death associated with such unintended or unauthorized application.

Products described herein may be covered by one or more United States, international or foreign patents pending. Product names and markings noted herein may also be covered by one or more United States, international or foreign trademarks.

This document is written in English but may be translated into multiple languages for reference. Only the English version of this document is the final and determinative format released by Diodes Incorporated.

LIFE SUPPORT

Diodes Incorporated products are specifically not authorized for use as critical components in life support devices or systems without the express written approval of the Chief Executive Officer of Diodes Incorporated. As used herein:

A. Life support devices or systems are devices or systems which:

1. are intended to implant into the body, or
2. support or sustain life and whose failure to perform when properly used in accordance with instructions for use provided in the labeling can be reasonably expected to result in significant injury to the user.

B. A critical component is any component in a life support device or system whose failure to perform can be reasonably expected to cause the failure of the life support device or to affect its safety or effectiveness.

Customers represent that they have all necessary expertise in the safety and regulatory ramifications of their life support devices or systems, and acknowledge and agree that they are solely responsible for all legal, regulatory and safety-related requirements concerning their products and any use of Diodes Incorporated products in such safety-critical, life support devices or systems, notwithstanding any devices- or systems-related information or support that may be provided by Diodes Incorporated. Further, Customers must fully indemnify Diodes Incorporated and its representatives against any damages arising out of the use of Diodes Incorporated products in such safety-critical, life support devices or systems.

Copyright © 2014, Diodes Incorporated

www.diodes.com

Mouser Electronics

Authorized Distributor

Click to View Pricing, Inventory, Delivery & Lifecycle Information:

[Diodes Incorporated:](#)

[AZ2085D-ADJTRG1](#)