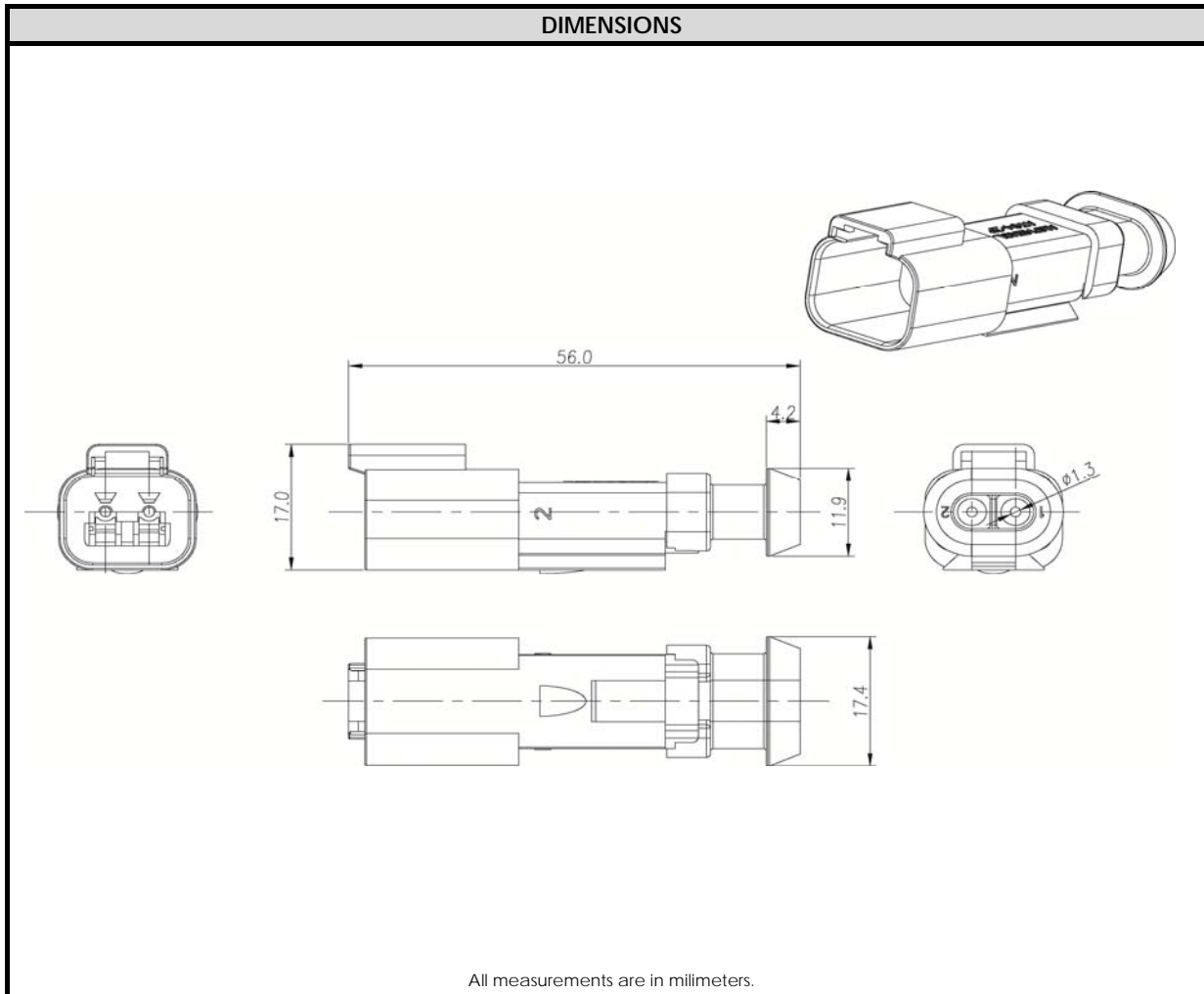


| CONFIGURATION | PART NUMBER |
|----------------------------------|--------------|
| 2 WAY RECEPTACLE, SHRINK BOOT | AT04-2P-SB01 |



| NOTES: | |
|-----------------------|-------------------------|
| CONTACT SIZE | 16 |
| WIRE RANGE | 14 - 20 AWG [2.0 - 0.5] |
| INSULATION O.D. (MAX) | .145" [3.68mm] |
| INSULATION O.D. (MIN) | .088" [2.24mm] |
| HOUSING COLOR | GREY |
| MATING CONNECTOR | AT06-2S |
| REQUIRED WEDGE | AW2P |
| REV: NC | |
| DATE 22-DEC-2011 | |

© 2011 Amphenol Sine Systems Corporation. Every effort has been made to ensure that the information contained in this document is accurate at the time of publication. Specifications or information stated in this publication are subject to change without notice.

Mouser Electronics

Authorized Distributor

Click to View Pricing, Inventory, Delivery & Lifecycle Information:

[Amphenol:](#)

[AT04-2P-SB01](#)