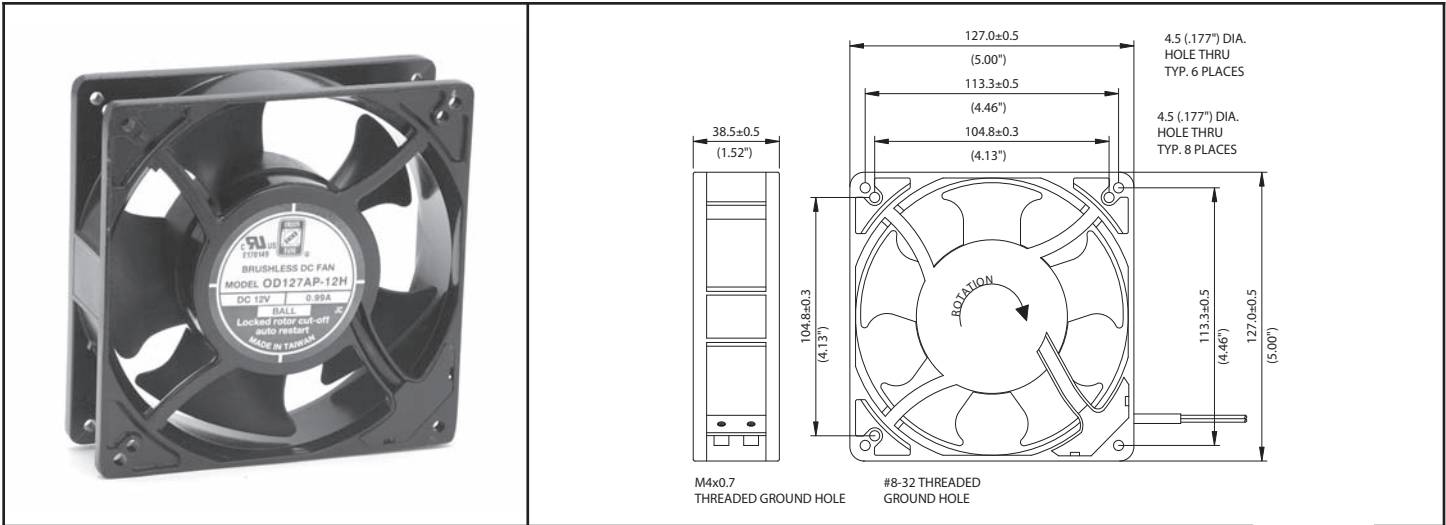


OD127AP Series Aluminum Frame



DC Fan - 12, 24, 48V
127x38.5mm (5.0"x 1.5")



Frame	Diecast Aluminum	Available Options: Tachometer (FG) Alarm (RD) Thermal Speed Control (Thermistor) PWM Input (Manual Speed Control) Sleeve bearing <u>Life Expectancy (L10)</u> Ball - 60,000 hrs (45C) <u>Operating Temperature</u> Ball: -20 ~ 75C	
Impeller	PBT, UL94V-O plastic		
Connection	2x Lead wires or terminals		
Motor	Brushless DC, auto restart, impedance and polarity protected		
Bearing System	Dual Ball bearing		
Insulation Resistance	10M ohm between leadwire and frame (500VDC)		
Dielectric Strength	1 second at 500 VAC, max leakage - 500 MicroAmp		
Storage Temperature	-30C ~ +90C		

Model Number	Speed (RPM)	Airflow (CFM)	Noise (dB)	Volts DC	Voltage Range	Amps	Max. Static Pressure ("H2O)
OD127AP-12HB	3000	140	46	12	9~14	0.50	0.41
OD127AP-12MB	2600	108	38	12	9~14	0.40	0.33
OD127AP-12LB	1900	86	30	12	9~14	0.20	0.15
OD127AP-24HB	3000	140	46	24	12~28	0.23	0.41
OD127AP-24MB	2600	108	38	24	12~28	0.19	0.33
OD127AP-24LB	1900	86	30	24	12~28	0.15	0.15
OD127AP-48HB	3000	140	46	48	26~56	0.10	0.41
OD127AP-48MB	2600	108	38	48	26~56	0.08	0.33
OD127AP-48LB	1900	86	30	48	26~56	0.07	0.15