

PLEASE CHECK WWW.MOLEX.COM FOR LATEST PART INFORMATION

Part Number: [0527451197](#)
Status: **Active**
Description: 0.50mm (.020") Pitch FFC/FPC Connector, Right Angle, SMT, ZIF, Top Contact Style, 11 Circuits, Lead-free, Gold (Au) Contact Plating

Documents:

[3D Model](#) [Product Specification PS-52745-051 \(PDF\)](#)
[Drawing \(PDF\)](#) [RoHS Certificate of Compliance \(PDF\)](#)

General

Product Family FFC/FPC Connectors
 Series [52745](#)
 Product Name N/A

Physical

Circuits (Loaded) 11
 Color - Resin Black
 Color - Resin White
 Contact Position Top
 Durability (mating cycles max) 20
 Entry Angle 90° Angle
 Flammability 94V-0
 Mated Height (in) 0.079 In
 Mated Height (mm) 2.00 mm
 Material - Metal Phosphor Bronze
 Material - Plating Mating Gold
 Material - Plating Termination Gold
 Number of Rows 1
 Orientation Right Angle
 PCB Locator No
 PCB Retention Yes
 Packaging Type Embossed Tape on Reel
 Pitch - Mating Interface (in) 0.020 In
 Pitch - Mating Interface (mm) 0.50 mm
 Polarized to PCB Yes
 Stackable No
 Temperature Range - Operating -20°C to +85°C
 Termination Interface: Style Surface Mount
 Wire/Cable Type FFC/FPC

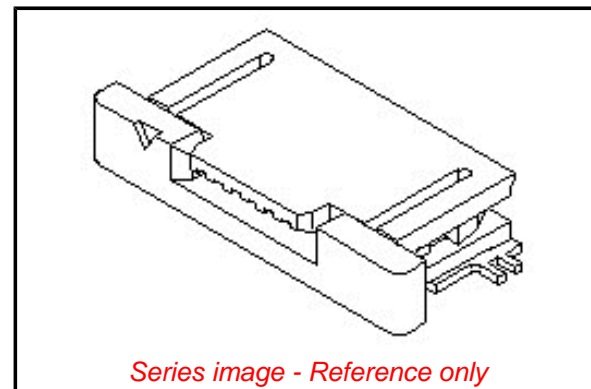
Electrical

Current - Maximum 0.5A
 UL E29179
 Voltage - Maximum 50V

Material Info

Reference - Drawing Numbers

Product Specification PS-52745-051
 Product Specification RPS-52745-056
 Product Specification RPS-52745-060
 Product Specification RPS-52745-061
 Product Specification RPS-52745-062
 Product Specification RPS-52745-063
 Product Specification RPS-52745-064
 Product Specification RPS-52745-065
 Product Specification RPS-52745-066
 Product Specification RPS-52745-068



EU RoHS

**ELV and RoHS
 Compliant**
**REACH SVHC
 Contains SVHC: No**
**Halogen-Free
 Status
 Not Reviewed**

China RoHS



**Need more information on product
 environmental compliance?**

Email productcompliance@molex.com
 Please visit the [Contact Us](#) section for any
 non-product compliance questions.

Search Parts in this Series
[52745 Series](#)

Product Specification
Product Specification
Product Specification
Product Specification
Sales Drawing
Sales Drawing

RPS-52745-071
RPS-52745-072
RPS-52745-074
RPS-52745-075
SD-52745-050
SD-52745-051

This document was generated on 11/06/2009

PLEASE CHECK WWW.MOLEX.COM FOR LATEST PART INFORMATION