

| REVISIONS | | | | | |
|-----------|-------------|---------------|-----------|-----|------|
| P | LTR | DESCRIPTION | DATE | DMN | APVD |
| C9 | REVISED PER | ECO-15-010865 | 27JUL2015 | NK | RH |

SPECIFICATIONS:

MATERIALS:
CASE: NYLON 66 UL94HB, 30% GF-BLACK
ACTUATOR: PBT OR NYLON 66 UL94HB, SEE P/N TABLE
COVER: PET FILM, WHITE FINISH
MOVING CONTACT: COPPER ALLOY-SILVER FINISH
FIXED CONTACT/TERMINAL: COPPER ALLOY-SILVER OVER NICKEL FINISH

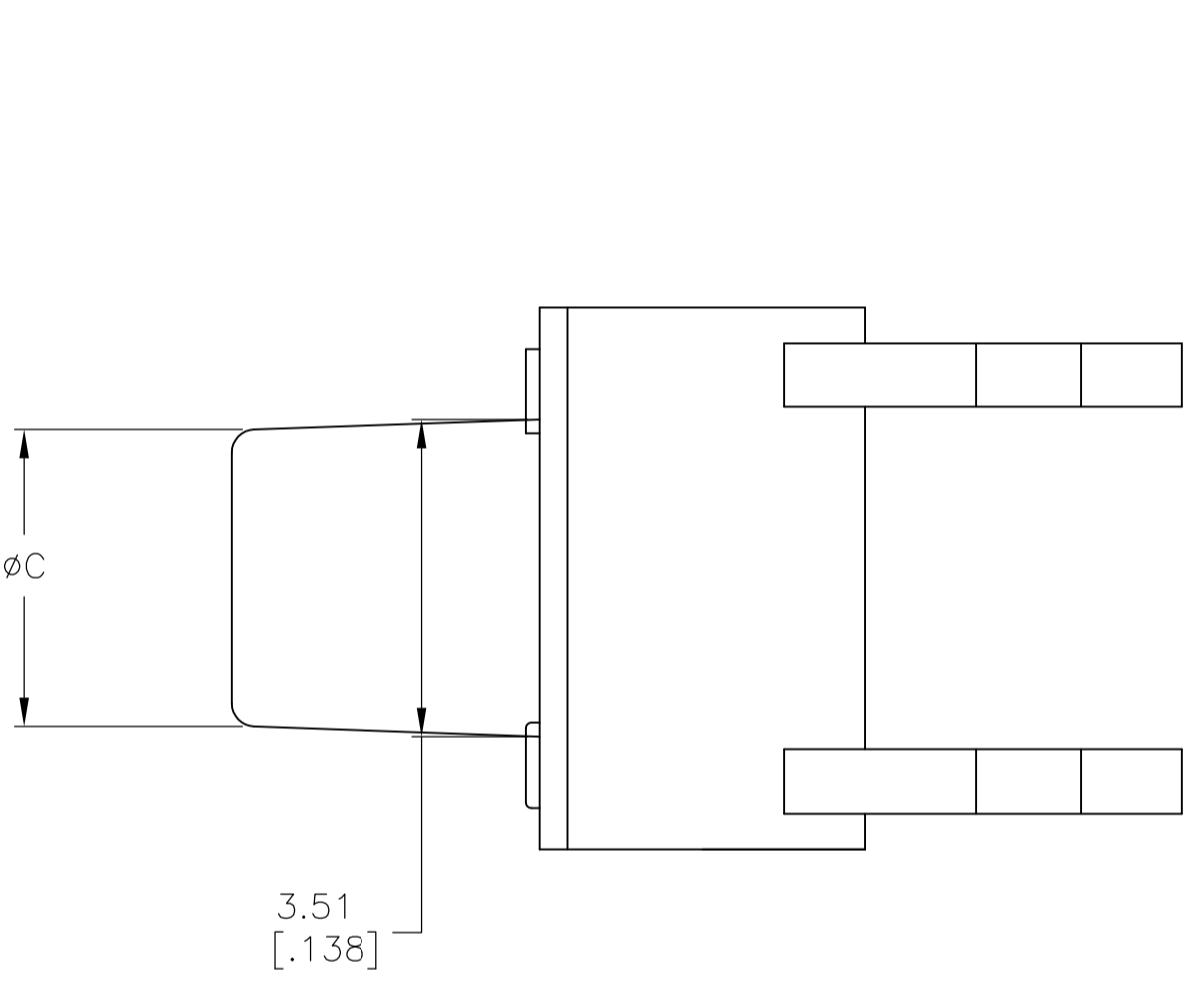
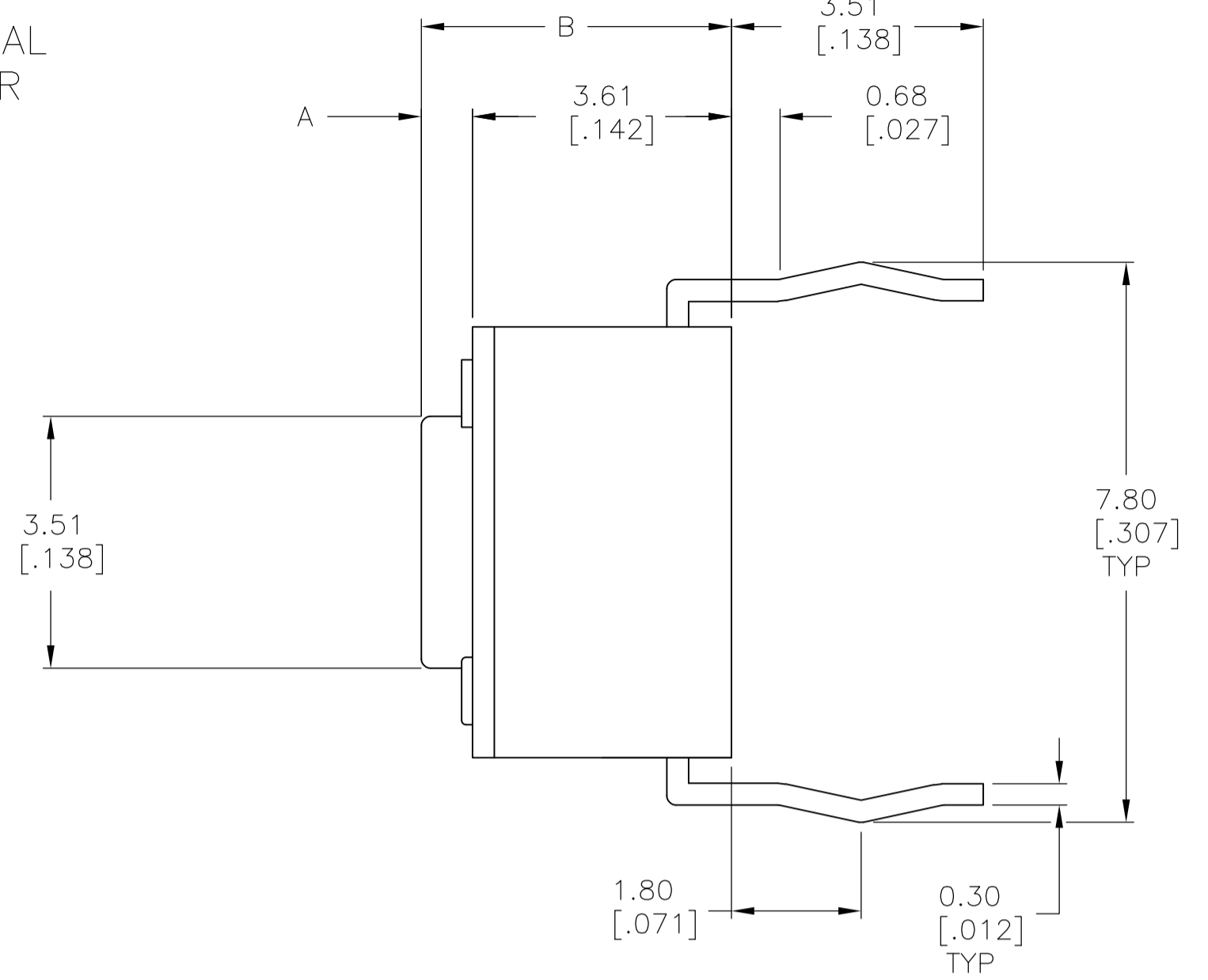
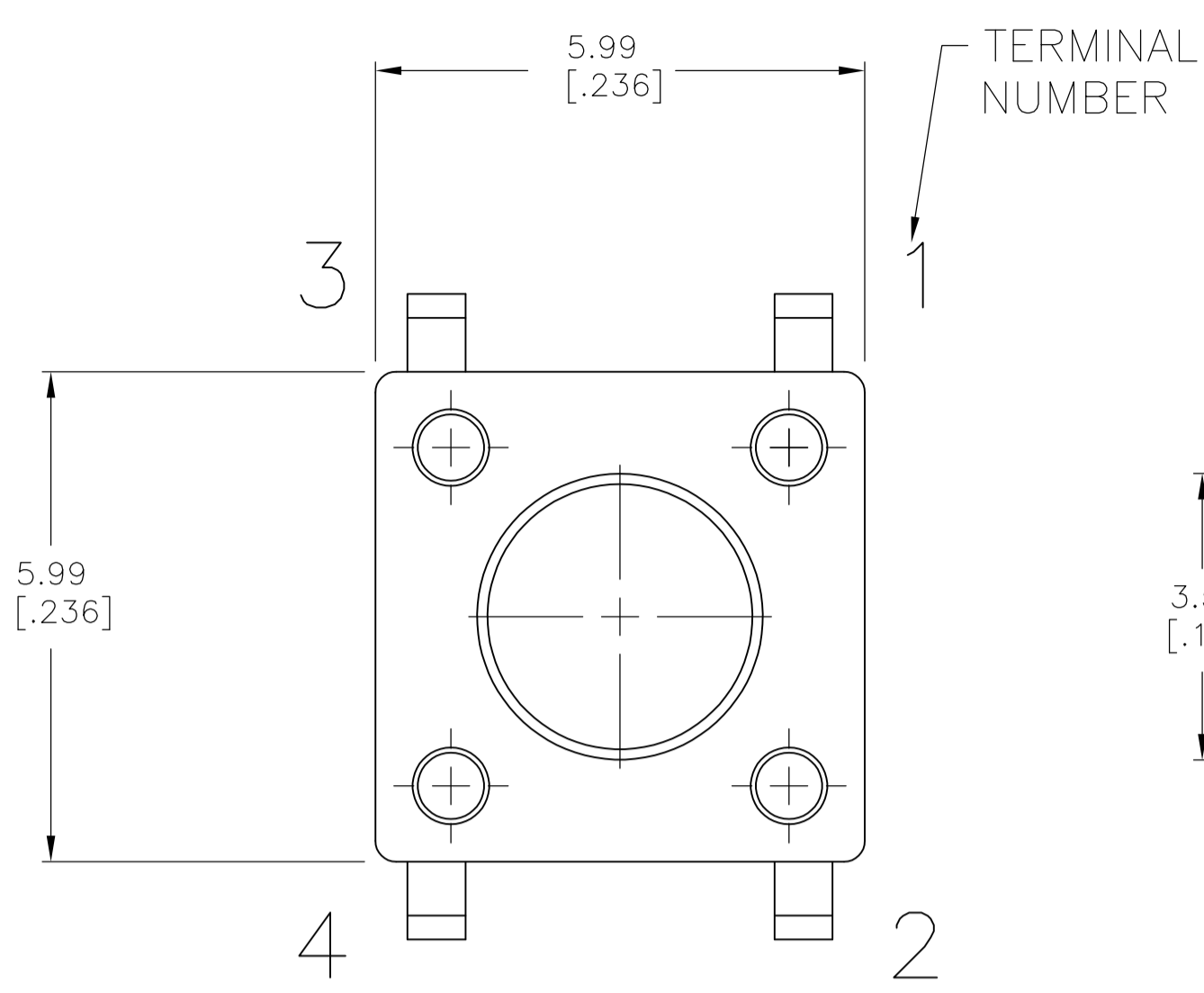
ELECTRICAL:
MAX CONTACT RATING: 50MILLIAMPS@24V DC,
MIN CONTACT RATING: 10MICROAMPS@1V DC
INITIAL CONTACT RESISTANCE, 100 MILLIOHMS MAX
INSULATION RESISTANCE, 100 MEGOHM MIN. @ 100V DC
DIELECTRIC STRENGTH, 500 V AC FOR 1 MINUTE
LIFE EXPECTANCY, 100,000 CYCLES MIN (2 CYCLES PER SECOND AND 150% ACTUATION FORCE), EXCEPT FOR THE 520 GF MODEL WHICH WOULD BE 50,000 CYCLES MIN.

MECHANICAL:
ACTUATION FORCE, SEE TABLE
ACTUATION TRAVEL, .010 +.008/-.004
LIFE EXPECTANCY, 100,000 CYCLES MIN (2 CYCLES PER SECOND AND 150% ACTUATION FORCE), EXCEPT FOR THE 520 GF MODEL WHICH WOULD BE 50,000 CYCLES MIN.

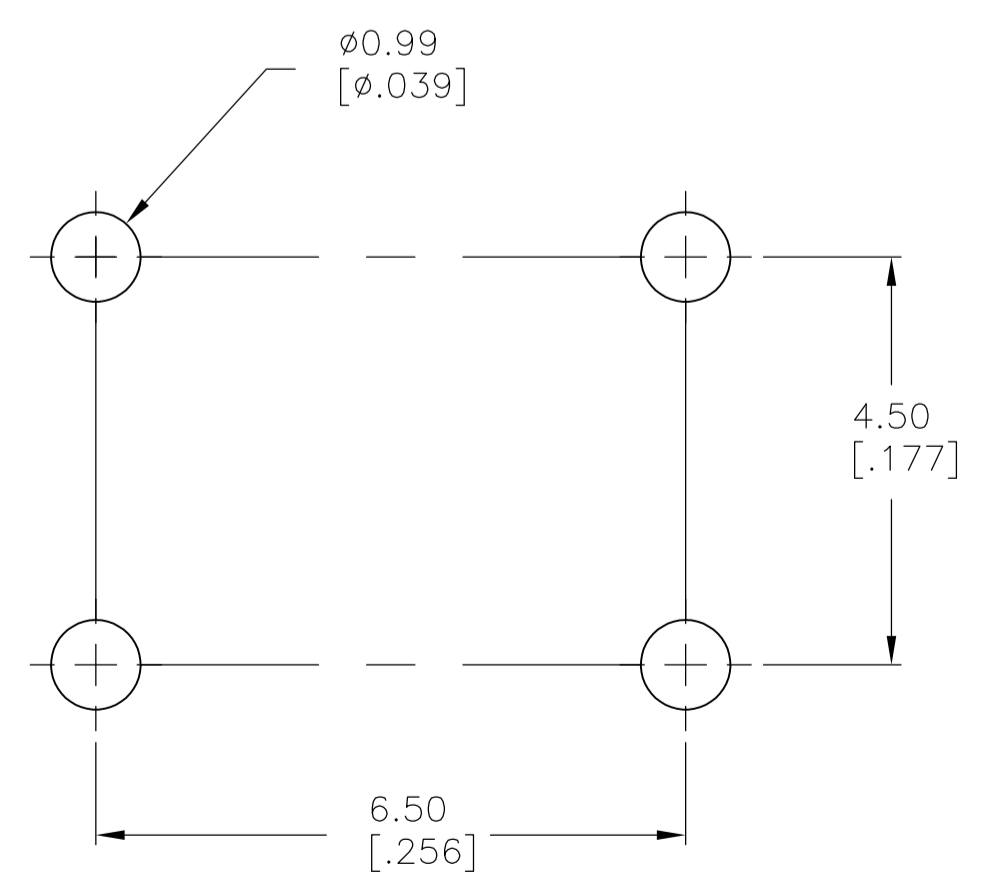
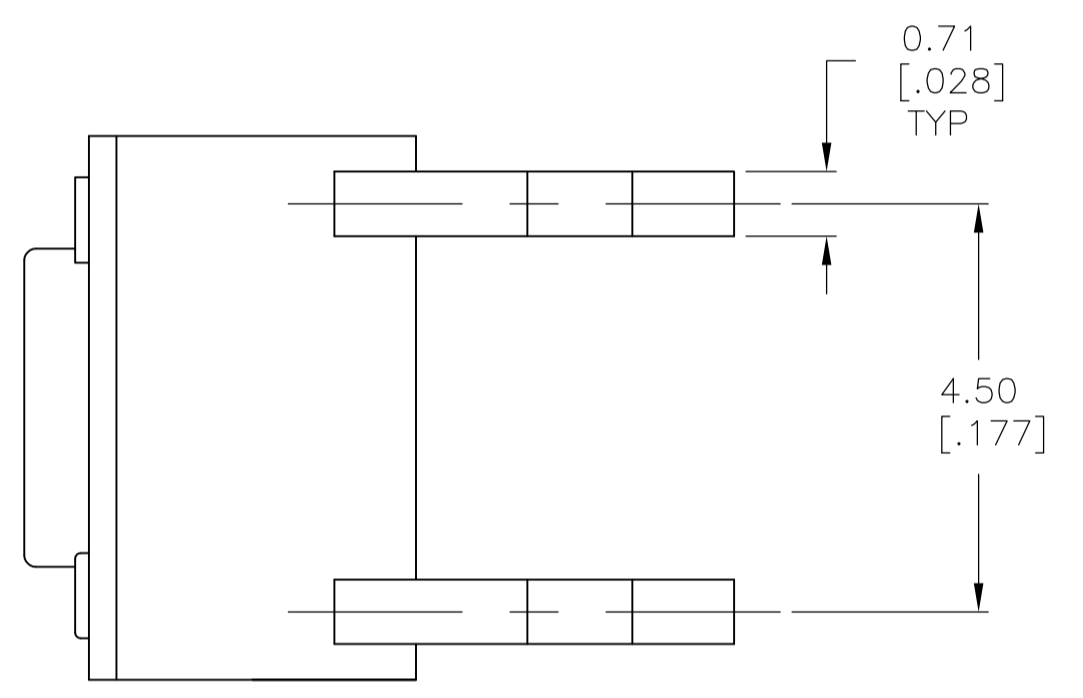
ENVIRONMENTAL:
OPERATING TEMPERATURE, -35 TO +85 DEGREES C
STORAGE TEMPERATURE, -35 TO +85 DEGREES C
THERMAL SHOCK, PER EIA-364-32C, -35 TO +85 DEGREES C
SOLDERABILITY, PER EIA-364-52, CLASS 2, CATEGORY 1, CATEGORY 2, 95% MINIMUM COVERAGE
RESISTANCE TO SOLDER HEAT, PER 109-202, CONDITION B

Notes
1 ALL MATERIALS AND FINISHES SHALL COMPLY WITH EU DIRECTIVE 2002/95/EC OF 27JAN2003 (ROHS).

| | ACTUATOR MAT'L | ACTUATOR COLOR | ACTUATION FORCE | DIM C | DIM B | DIM A | ALCO P/N | P/N |
|----------|----------------|----------------|-----------------|-------------|--------------|--------------|-----------|-------------|
| | NYLON 6/6 | BROWN | 100 +/-50 GF | 3.30 (.130) | 7.00 (.276) | 3.40 (.134) | FSM6JLHTB | 3-1825910-9 |
| | PBT | BROWN | 100 +/-50 GF | N/A | 5.00 (.196) | 1.40 (.055) | FSM4JLHTB | 3-1825910-8 |
| | NYLON 6/6 | YELLOW | 520 +/-100 GF | 3.09 (.122) | 8.50 (.335) | 4.90 (.193) | FSM18JAAH | 3-1825910-7 |
| OBSOLETE | NYLON 6/6 | RED | 260 +/-50 GF | 3.09 (.122) | 8.50 (.335) | 4.90 (.193) | FSM18JAH | 3-1825910-6 |
| | NYLON 6/6 | BLACK | 160 +/-50 GF | 3.09 (.122) | 8.50 (.335) | 4.90 (.193) | FSM18JH | 3-1825910-5 |
| | NYLON 6/6 | BROWN | 100 +/-50 GF | 3.09 (.122) | 8.50 (.335) | 4.90 (.193) | FSM18JLH | 3-1825910-4 |
| | NYLON 6/6 | YELLOW | 520 +/-100 GF | 2.80 (.110) | 17.00 (.669) | 13.40 (.527) | FSM16JAAH | 3-1825910-3 |
| | NYLON 6/6 | RED | 260 +/-50 GF | 2.80 (.110) | 17.00 (.669) | 13.40 (.527) | FSM16JAH | 3-1825910-2 |
| | NYLON 6/6 | BLACK | 160 +/-50 GF | 2.80 (.110) | 17.00 (.669) | 13.40 (.527) | FSM16JH | 3-1825910-1 |
| OBSOLETE | NYLON 6/6 | BROWN | 100 +/-50 GF | 2.80 (.110) | 17.00 (.669) | 13.40 (.527) | FSM16JLH | 3-1825910-0 |
| | NYLON 6/6 | YELLOW | 520 +/-100 GF | 2.87 (.113) | 13.00 (.512) | 9.40 (.370) | FSM14JAAH | 2-1825910-9 |
| | NYLON 6/6 | RED | 260 +/-50 GF | 2.87 (.113) | 13.00 (.512) | 9.40 (.370) | FSM14JAH | 2-1825910-8 |
| | NYLON 6/6 | BLACK | 160 +/-50 GF | 2.87 (.113) | 13.00 (.512) | 9.40 (.370) | FSM14JH | 2-1825910-7 |
| | NYLON 6/6 | BROWN | 100 +/-50 GF | 2.87 (.113) | 13.00 (.512) | 9.40 (.370) | FSM14JLH | 2-1825910-6 |
| | NYLON 6/6 | YELLOW | 520 +/-100 GF | 3.20 (.126) | 8.00 (.315) | 4.40 (.173) | FSM12JAAH | 2-1825910-5 |
| | NYLON 6/6 | BLACK | 260 +/-50 GF | 3.20 (.126) | 8.00 (.315) | 4.40 (.173) | FSM12JABH | 2-1825910-4 |
| | NYLON 6/6 | RED | 260 +/-50 GF | 3.20 (.126) | 8.00 (.315) | 4.40 (.173) | FSM12JAH | 2-1825910-3 |
| | NYLON 6/6 | WHITE | 160 +/-50 GF | 3.20 (.126) | 8.00 (.315) | 4.40 (.173) | FSM12JH | 2-1825910-2 |
| | NYLON 6/6 | BROWN | 100 +/-50 GF | 3.20 (.126) | 8.00 (.315) | 4.40 (.173) | FSM12JLH | 2-1825910-1 |
| | NYLON 6/6 | YELLOW | 520 +/-100 GF | 3.25 (.128) | 7.30 (.287) | 3.70 (.146) | FSM10JAAH | 2-1825910-0 |
| | NYLON 6/6 | RED | 260 +/-50 GF | 3.25 (.128) | 7.30 (.287) | 3.70 (.146) | FSM10JAH | 1-1825910-9 |
| | NYLON 6/6 | IVORY | 160 +/-50 GF | 3.25 (.128) | 7.30 (.287) | 3.70 (.146) | FSM10JH | 1-1825910-8 |
| OBSOLETE | NYLON 6/6 | BROWN | 100 +/-50 GF | 3.25 (.128) | 7.30 (.287) | 3.70 (.146) | FSM10JLH | 1-1825910-7 |
| OBSOLETE | PBT | YELLOW | 520 +/-100 GF | 3.10 (.122) | 9.50 (.374) | 5.90 (.232) | FSM8JAAH | 1-1825910-6 |
| OBSOLETE | PBT | RED | 260 +/-50 GF | 3.10 (.122) | 9.50 (.374) | 5.90 (.232) | FSM8JAH | 1-1825910-5 |
| | PBT | BLACK | 160 +/-50 GF | 3.10 (.122) | 9.50 (.374) | 5.90 (.232) | FSM8JH | 1-1825910-4 |
| | PBT | BROWN | 100 +/-50 GF | 3.10 (.122) | 9.50 (.374) | 5.90 (.232) | FSM8JLH | 1-1825910-3 |
| | NYLON 6/6 | YELLOW | 520 +/-100 GF | 3.30 (.130) | 7.00 (.276) | 3.40 (.134) | FSM6JAAH | 1-1825910-2 |
| | NYLON 6/6 | RED | 260 +/-50 GF | 3.30 (.130) | 7.00 (.276) | 3.40 (.134) | FSM6JAH | 1-1825910-1 |
| | NYLON 6/6 | BLUE | 160 +/-50 GF | 3.30 (.130) | 7.00 (.276) | 3.40 (.134) | FSM6JH | 1-1825910-0 |
| | NYLON 6/6 | BROWN | 100 +/-50 GF | 3.30 (.130) | 7.00 (.276) | 3.40 (.134) | FSM6JLH | 1825910-9 |
| | PBT | YELLOW | 520 +/-100 GF | N/A | 5.00 (.196) | 1.40 (.055) | FSM4JAAH | 1825910-8 |
| | PBT | RED | 260 +/-50 GF | N/A | 5.00 (.196) | 1.40 (.055) | FSM4JAH | 1825910-7 |
| | PBT | BLACK | 160 +/-50 GF | N/A | 5.00 (.196) | 1.40 (.055) | FSM4JH | 1825910-6 |
| | PBT | BROWN | 100 +/-50 GF | N/A | 5.00 (.196) | 1.40 (.055) | FSM4JLH | 1825910-5 |
| | PBT | YELLOW | 520 +/-100 GF | N/A | 4.30 (.169) | 0.70 (.028) | FSM2JAAH | 1825910-4 |
| | PBT | RED | 260 +/-50 GF | N/A | 4.30 (.169) | 0.70 (.028) | FSM2JAH | 1825910-3 |
| | PBT | NATURAL | 160 +/-50 GF | N/A | 4.30 (.169) | 0.70 (.028) | FSM2JH | 1825910-2 |
| | PBT | BROWN | 100 +/-50 GF | N/A | 4.30 (.169) | 0.70 (.028) | FSM2JLH | 1825910-1 |



VIEW A-A
FSM6J THRU FSM18J



RECOMMENDED HOLE LAYOUT
TOLERANCE ±0.05[.002] UNLESS OTHERWISE NOTED

| ()-INDICATES MOMENTARY POSITION | | |
|----------------------------------|--------------------|--|
| CIRCUIT CHARACTERISTICS | | |
| CONTACT POSITION | CIRCUIT DIAGRAM | |
| OFF | (ON) 1-3 2-4 | |

THIS DRAWING IS A CONTROLLED DOCUMENT.

| | | | | | |
|------------------------------|--|----------------------|-------------------|-------------------|------------------|
| DIMENSIONS: mm [INCHES] | TOLERANCES UNLESS OTHERWISE SPECIFIED: | DIM M BINNER 07NOV06 | M. SARVER 07NOV06 | M. SARVER 07NOV06 | NAME |
| 0 PLC ± .01 | 1 PLC ± .01 | 2 PLC ± .01 | 3 PLC ± .01 | 4 PLC ± .01 | ANGLES ± .01 |
| MATERIAL: SEE SPECIFICATIONS | | FINISH: - | WEIGHT: - | SIZE: A1 | CAGE CODE: 00779 |
| CUSTOMER DRAWING | | SCALE: 12:1 | SHEET: 1 OF 1 | REV: C9 | RESTRICTED TO |

STE TE Connectivity
6MM TACT SWITCH, THRU-HOLE HIGH TEMP