

[Molex.com](#)

English
日本語
한국어
简体中文

[Register | Login](#)
[My Parts \(0 items \)](#)

Search site: Search: [Go](#)

- Product Name**
- Cross-Ref**
- Catalog**
- Literature**
- Industries**
- Standards**
- Contact Us**
- About Us**
- Investors**
- Careers**

- [Connectors](#)
- [Sockets](#)
- [I/O Connectors](#)
- [Cable Assemblies](#)
- [Fiber Optics](#)
- [Printed Circuit Products](#)
- [Industrial Products](#)
- [Lighting Products](#)

Switch Language

- [Home](#)
- [Crimp Terminals](#)
- [Datasheet](#)

Need Assistance?

- [Contact Us](#)
- [Find a Distributor](#)
- [Order Samples](#)
- [Tech Library](#)
- [Ecocare](#)
- [Electrical Models](#)

[Printer-friendly page](#)

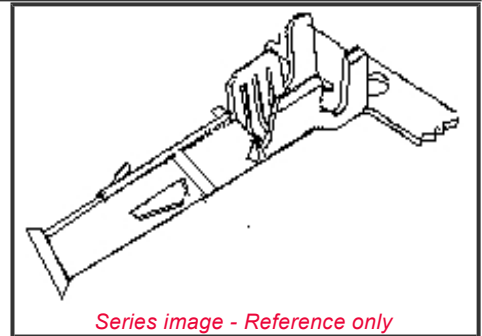
[Email this page](#)

Part Number:
0357280201

Status:
Active

Description:
2.00mm (.079") Dia Socket Terminal, Brass, 0.25mm (.010") Thickness, Wire Range 14-20 AWG (2.00-0.52mm²), Pre-Tin Plated

Documents: *Note - Please disable browser pop-up blockers for documents on www.molex.com*
[Drawing \(PDF\)](#) [Product Specification PS-35141-001 \(PDF\)](#)



Series image - Reference only

EU RoHS
ELV and RoHS
Compliant

REACH SVHC
Contains SVHC: No

Halogen-Free
Status
Halogen-Free

China RoHS



Need more information on product environmental compliance?Email productcompliance@molex.comFor a multiple part number RoHS Certificate of Compliance, [click here](#)Please visit the [Contact Us](#) section for any non-product compliance questions.**Search Parts in this Series**[35728Series](#)**Mates With**

2.00mm (.079") Dia Pin, 35727-0201

Use With[35143](#), [35144](#)**Application Tooling** | [FAQ](#)

Tooling specifications and manuals are found by selecting the products below. Crimp Height Specifications are then contained in the Application Tooling Specification document.

Global

Description	Product #
Mini-Mac™ Applicator	0638923000

Crimp Quality Equipment

Molex also offers wire strippers, pull testers, shut-height gauges, micro-meters and more

[Click here for details](#)[Datasheet \(PDF\)](#)**Order Products:**

Part Detail: ([show all](#))**General**[Physical](#)[Material Info](#)[Reference - Drawing Numbers](#)**General**

Product Family	Crimp Terminals
Series	35728
Product Name	N/A

Physical

Gender	Female
Material - Metal	Brass
Material - Plating Mating	Tin
Material - Plating Termination	Tin
Packaging Type	Reel
Plating min: Mating (µin)	32.00
Plating min: Mating (µm)	0.800
Plating min: Termination (µin)	32.00
Plating min: Termination (µm)	0.80
Termination Interface: Style	Crimp or Compression
Wire Insulation Diameter	1.90-3.40mm (.075-.134")
Wire Size AWG	14, 16, 18, 20
Wire Size mm ²	N/A

Material Info**Reference - Drawing Numbers**

Product Specification	PS-35141-001
Sales Drawing	SD-35728-0201